



**ANATECH ELECTRONICS INC**  
RF & Microwave Filters & Products

# 3500 MHz Cavity Bandpass Filter

**Part Number: AB3500B1053**



## Electrical specifications

**Passband:** 3000-4000MHz  
**Passband Insertion Loss:**  $\leq 1.0$ dB  
**VSWR:**  $\leq 1.6$   
**Rejection:**  $\geq 60$ dB@2800MHz  
**Rejection 2:**  $\geq 60$ dB@4200MHz  
**Input / Output Impedance:** 50 Ohms  
**Power Handling:** 5W(CW)

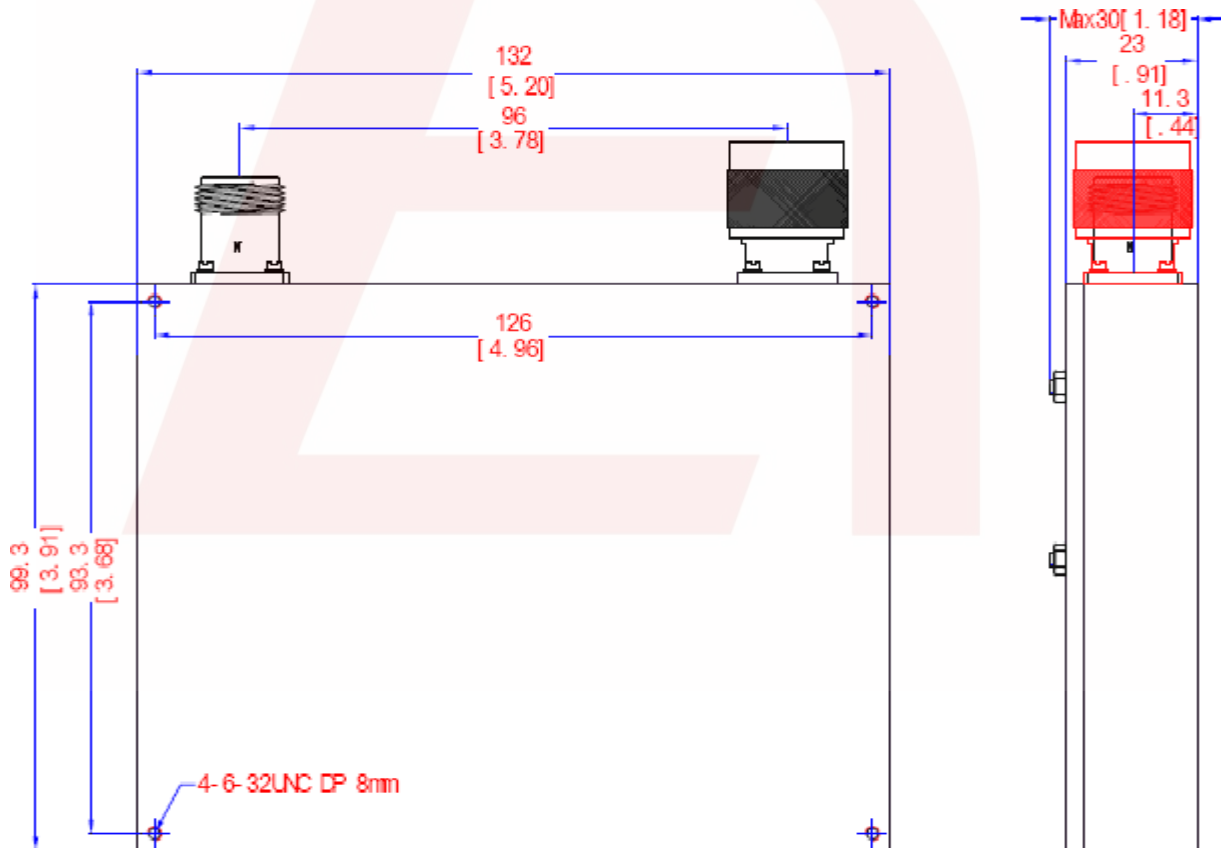
## Mechanical

**Connector Type:** N-Female/N-Male  
**Dimensions:** 5.20 x 3.91 x .91 inches

## Environmental

**Operating Temperature:** -40 to +85 deg.C  
**Storage Temperature:** -55 to +95 deg.C  
**Shock:** 20 G's, 1/2 sine, 11ms  
**Vibration:** 20 G. 10 to 2000 Hz  
**Relative Humidity:** 0-95%

## Outline Drawing:



DS-B1053-03152018-Rev0



**ANATECH ELECTRONICS INC**  
RF & Microwave Filters & Products

# 3500 MHz Cavity Bandpass Filter

Part Number: AB3500B1053



## Response Plot:



DS-B1053-03152018-Rev0