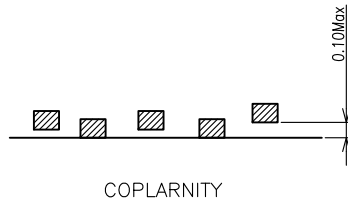
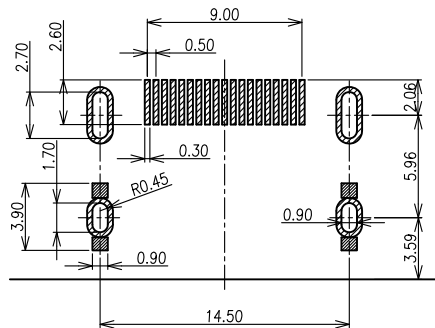
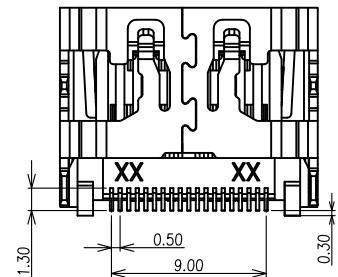
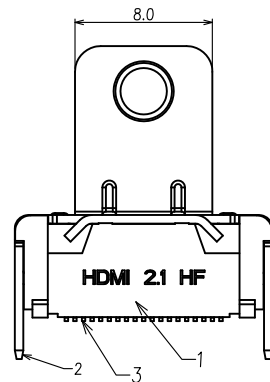
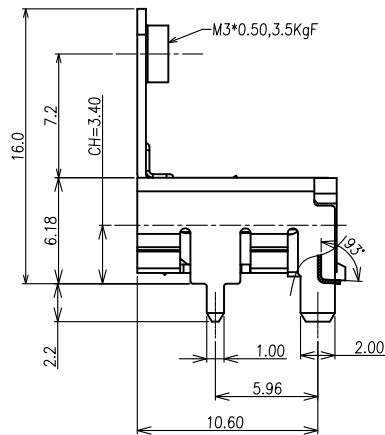
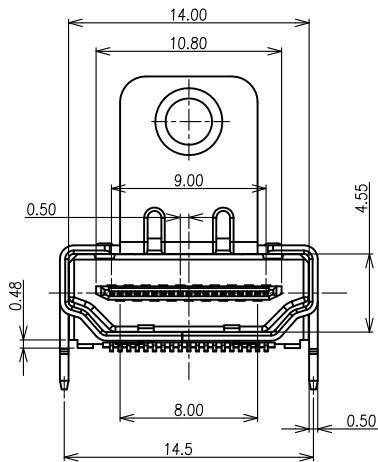
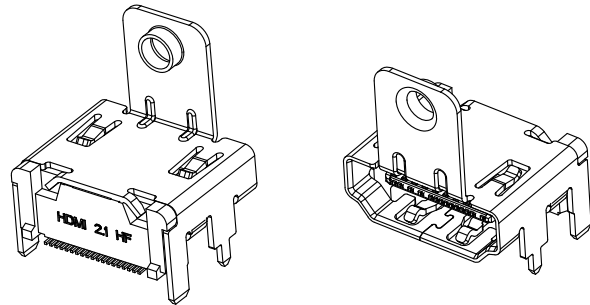
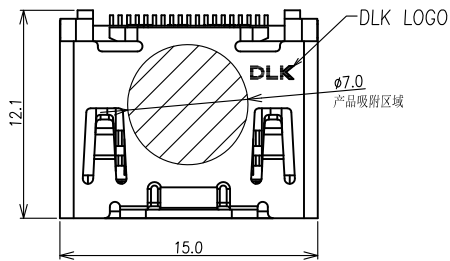


| 工程变更通知单<br>ECN(DCN) NO. | 版本<br>REV | 日期<br>DATE | 说明<br>DESCRIPTION | 改变<br>CHANGE | 承认<br>APPRO. |
|-------------------------|-----------|------------|-------------------|--------------|--------------|
| KSECN21044              | A         | 20210824   | NEW RELEASE       | —            | —            |
|                         |           |            |                   |              |              |



NOTE:

- MATERIAL:
  - Housing: LCP UL94v-0, color: Black
  - Contact: Copper alloy
  - Shell: Stainless steel
- PLATING:
  - Contact: 15u" Au plated on contact Area, 50u" Min. Matte Tin plated on solder tail, 50u" Min. Nickel underplated
  - Shell: Nickel plated overall
- MECHANICAL:
  - Mating force: 4.5kgf Max.
  - Unmating force: 1.0~4.0kgf.
  - Durability: 10000 cycles Min.
- ELECTRICAL:
  - Current Rating: 0.5A
  - Voltage Rating: 40V
  - Dielectric strength: 500V AC FOR 1 minute
  - Insulation Resistance: 100MΩ Min.
  - Contact Resistance: 10mΩ Max
- Operating Temperature: -55°C to +105°C
- PACKING: Tape & Reel

RECOMMENDED PCB LAYOUT  
TOLERANCE: ±0.05mm

GENERAL TOLERANCE  
UNLESS OTHERWISE NOTED

|       |       |
|-------|-------|
| Angle | ±5°   |
| X.    | ±0.35 |
| .X    | ±0.25 |
| .XX   | ±0.15 |
| .XXX  | ±0.10 |



德力康电子科技有限公司



DELIKANG ELECTRONICS TECHNOLOGY CO.,LTD

C 名称 TITLE: HDM 2.1 A/F R/A 6.18H(CH3.40) 19PIN SMT CONN.

档案名称 FILE NAME: C-HDM62-00-00 料号 PART NO: 56219B04101

DRAWING 蒋召 CHECKED 覃智森 APPROVED 吴豪

UNIT: mm SCALE 1:1 SHEET: 1 of 1

| NO. | ITEM    | Q'TY | DESCRIPTION     | FINISH         |
|-----|---------|------|-----------------|----------------|
| 3   | CONTACT | 19   | COPPER ALLOY    | PLATED Au      |
| 2   | SHELL   | 1    | STAINLESS STEEL | PLATED NI      |
| 1   | HOUSING | 1    | LCP             | UL94V-0, Black |