

# PHONO JACKS

## Featuring The Bulkhead Phono Jacks from Switchcraft

Switchcraft introduces a complete line of bulkhead mount phono (RCA) jacks to meet the most critical audio, audio/video, and general-purpose electronic applications. These jacks are offered in front and rear mount solder type as well as jack to jack bulkhead configurations. These jacks are available with black, white, red, and yellow insulators and nickel or gold plated bodies. All mounting hardware is included.

### Features and Benefits

- Front or rear mount configurations
- Durable plated machined brass construction
- All mounting hardware is included

### Applications

- Audio
- Video
- General Purpose Electronics

### Options

- Front or rear mount solder type receptacles
- Jack to jack bulkhead configuration
- Insulator colors
- Gold or nickel plating

### Specifications

#### Material and Platings

Housing: Nickel or Gold-plated Brass

Contact: Nickel-plated Brass

Insulator: ABS

Hardware: Nickel-plated Brass



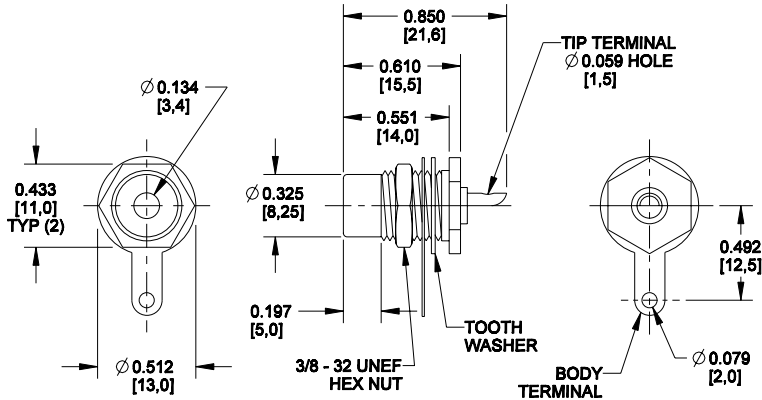
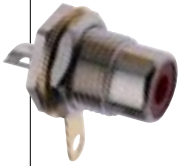
PRODUCT  
BULLETIN  
536

# BULKHEAD PHONO JACKS PRODUCT BULLETIN 536

## Product Information

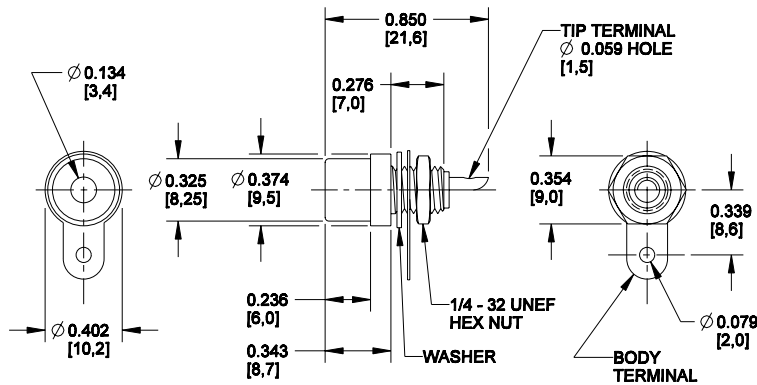
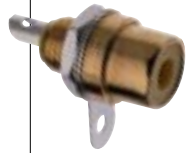
### Rear Mount Solder Type

DIMENSIONS ARE FOR REFERENCE ONLY <sup>Inch</sup>  
All PC Board layouts are component side (mm)



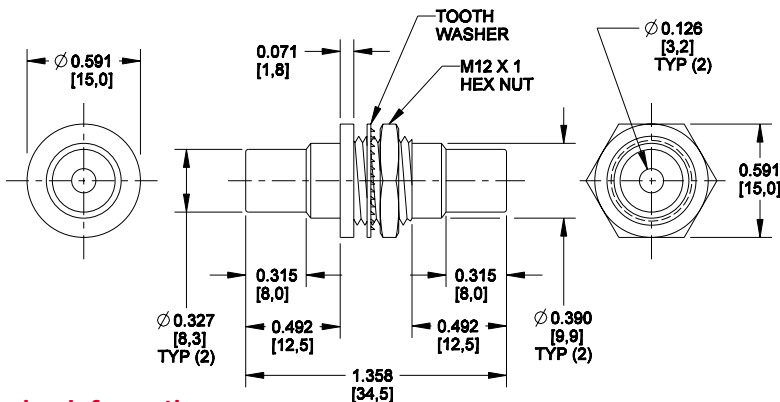
Part Number	Color
BPJR01	Black
BPJR01AU	Black
BPJR02	Red
BPJR02AU	Red
BPJR03	White
BPJR03AU	White
BPJR04	Yellow
BPJR04AU	Yellow

### Front Mount Solder Type



Part Number	Color
BPJF01	Black
BPJF01AU	Black
BPJF02	Red
BPJF02AU	Red
BPJF03	White
BPJF03AU	White
BPJF04	Yellow
BPJF04AU	Yellow

### Bulkhead Mount



Part Number	Color
BPJJ01	Black
BPJJ01AU	Black
BPJJ02	Red
BPJJ02AU	Red
BPJJ03	White
BPJJ03AU	White
BPJJ04	Yellow
BPJJ04AU	Yellow

### Ordering Information

BPJ	R	01	AU
Product Type	Mounting	Insulator Color	Shell Plating
Bulkhead Phono Jack	R = Rear F = Front B = Bulkhead	01 = Black 02 = Red 03 = White 04 = Yellow xx = Contact Factory	AU = Gold Empty = Nickel

**Switchcraft**<sup>®</sup>

5555 North Elston Avenue / Chicago, IL 60630  
Phone: 773-792-2700 / Fax: 773-792-2129

www.switchcraft.com