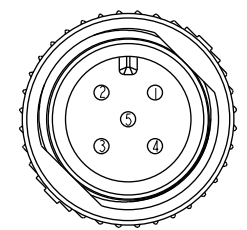
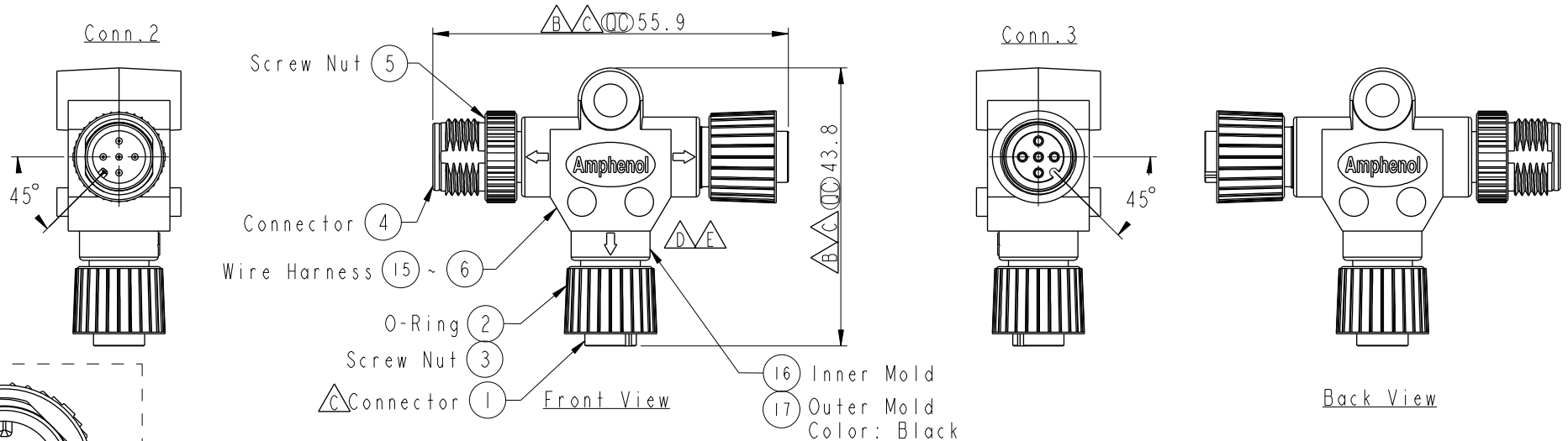
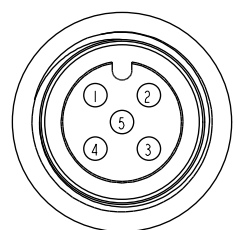


REV.	ECN NO.	DATE	SIGN	DESCRIPTION
D	LEN1350139	2013/05/08	Lu Di	Change Logo
E	LE31730080	2017/03/03	Ruru	Change Outer Mold Design
F	LEN1741329	2017/04/26	Ruru	Modify Note



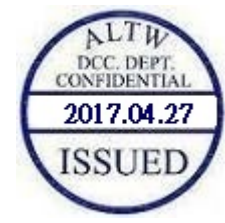
Conn.2
Pin Assignments
Front View



Conn.1&3
Pin Assignments
Front View

Blue (24AWG) 藍	5	5	5
White (24AWG) 白	4	4	4
Black (22AWG) 黑	3	3	3
Red (22AWG) 紅	2	2	2
Green (24AWG) 綠	1	1	1
Wire Color	Conn.1	Conn.2	Conn.3

Pin Out



- Note:
- * ϕ Important Dimension
 - * Waterproof Rate: IP68
In 1 meter water within 24 hours
 - * Connector: PU, Black
 - * O- Ring: Viton, Green
 - * Screw Nut: Zinc Alloy, Nickel Plated
 - * Pin: Copper Alloy, Gold Plated
 - * Wire Harness: UL1061 24AWG, Green, White, Blue
 - * Wire Harness: UL1061 22AWG, Red, Black

UNIT:mm $\pm 0.5mm$

TOLERANCE $\pm 0.5mm$

TITLE M12 Conn T Adaptor FMF Conn FMF Pin, 5Pin

SCALE 1:1 SIZE A4 SHEET 1 OF 1

REV. F WC-REV. A.1 ϕ Inspection item

Amphenol LTW
安費諾亮泰企業股份有限公司

ITEM NO SS-050505-FMF-TS00	DRAWN BY Ruru	DATE 2017-04-26
DWG NO SS-050505-FMF-TS00	CHECKED BY Rita	DATE 2017-04-26
CUSTOMER ALTW	APPROVED BY Max	DATE 2017-04-26

THIS DOCUMENT IS SUBJECT TO CHANGE WITHOUT NOTICE. IT IS CONFIDENTIAL AND A PROPERTY OF Amphenol LTW. DISCLOSURE TO THIRD PARTY HAS TO BE AUTHORIZED BY Amphenol LTW.