



## 621 SERIES 22 mm Heavy Duty Tri-Color Panel Mount Indicators

### MECHANICAL / SPECIFICATIONS

MOUNTING HOLE SIZE:  
0.866" (22 mm)

MAX PANEL THICKNESS:  
0.394" (10 mm)

MOUNTING TORQUE:  
7.01 lbs-ft (9.5 Nm)

OPERATING VOLTAGE:  
3, 6, 12 & 24 VDC  
(internal resistor included)

OPERATING TEMP:  
-25 °C to +70 °C (-13 °F to 158 °F)

STORAGE TEMP:  
-25 °C to +70 °C (-13 °F to 158 °F)

ELECTRICAL CONNECTION:  
Solder terminals, Common Cathode

HOUSING:  
Stainless Steel

TERMINALS:  
Stainless Steel

NUT:  
Stainless Steel

### CERTIFICATIONS & RATINGS

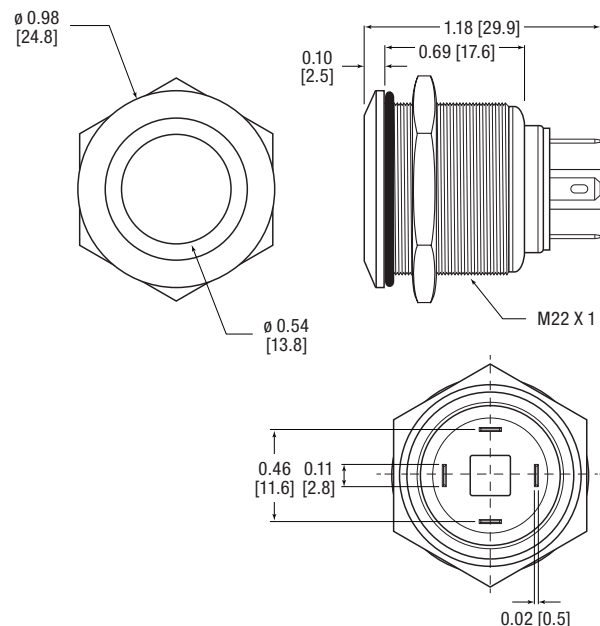
RoHS compliant  
IP66/IP67  
IK10  
NEMA 4X

### APPLICATION

The 621 Series Heavy Duty LED Panel Mount Indicators are elegantly designed for a high-end aesthetic paired with sturdy construction. These indicators are non-magnetic, corrosion resistant for both indoor and outdoor use, and secured to prevent dirt, dust, and water penetration. Ideal for a variety of applications such as:

- Main power indication
- Remote power indication
- Status indication
- Maintenance and warning indication
- Instrumentation

### DIMENSIONS inches [mm]



Please use the markings on the housing to properly connect this part for normal operation.

ORDERING INFORMATION

DIFFUSED LENS

Part Number	Tri-Color	Voltage (V DC)	Current (mA)	Intensity Typ. (mcd)
<a href="#">621-1121-304F</a>	<ul style="list-style-type: none"> <li>● Red</li> <li>● Green</li> <li>● Blue</li> </ul>	3	15	<ul style="list-style-type: none"> <li>● Red 200</li> <li>● Green 250</li> <li>● Blue 300</li> </ul>
<a href="#">621-1122-304F</a>		6		
<a href="#">621-1123-304F</a>		12		
<a href="#">621-1124-304F</a>		24		
<a href="#">621-1141-304F</a>	<ul style="list-style-type: none"> <li>● Red</li> <li>● Green</li> <li>● Yellow</li> </ul>	3	15	<ul style="list-style-type: none"> <li>● Red 115</li> <li>● Green 110</li> <li>● Yellow 435</li> </ul>
<a href="#">621-1142-304F</a>		6		
<a href="#">621-1143-304F</a>		12		
<a href="#">621-1144-304F</a>		24		

CLEAR LENS

<a href="#">621-1121-314F</a>	<ul style="list-style-type: none"> <li>● Red</li> <li>● Green</li> <li>● Blue</li> </ul>	3	15	<ul style="list-style-type: none"> <li>● Red 200</li> <li>● Green 250</li> <li>● Blue 300</li> </ul>
<a href="#">621-1122-314F</a>		6		
<a href="#">621-1123-314F</a>		12		
<a href="#">621-1124-314F</a>		24		
<a href="#">621-1141-314F</a>	<ul style="list-style-type: none"> <li>● Red</li> <li>● Green</li> <li>● Yellow</li> </ul>	3	15	<ul style="list-style-type: none"> <li>● Red 115</li> <li>● Green 110</li> <li>● Yellow 435</li> </ul>
<a href="#">621-1142-314F</a>		6		
<a href="#">621-1143-314F</a>		12		
<a href="#">621-1144-314F</a>		24		



Dialight reserves the right to make changes at any time in order to supply the best product possible. The most current version of this document will always be available at: [www.dialightsignalsandcomponents.com](http://www.dialightsignalsandcomponents.com)

Warranty Statement: Except for the warranty expressly provided for at: [www.dialight.com/resources/warranties/](http://www.dialight.com/resources/warranties/), Dialight disclaims any and all other warranties, express or implied, including, without limitation, any warranties of merchantability, fitness for a particular purpose, title, and noninfringement.