

www.opledtw.com

Opto Plus LED Corp.
0.20" SMD Type LED Display
OPS-T2010SPG | OPS-T2011SPG

● **EDIT HISTORY**

Version A: Nov. 11, 2020

Preliminary Spec.

Confidential Document



www.opledtw.com

Opto Plus LED Corp.

0.20" SMD Type LED Display

OPS-T2010SPG | OPS-T2011SPG

● FEATURES

- 0.20 inch (5.08 mm) Digit Height.
- SMD type.
- Low current operation.
- RoHS Compliant, Pb Free.

● DESCRIPTION

The device are 0.20 inch (5.08 mm) height triple digit 7-segment displays.

The device is Opto Plus LED Corp standard LED Display.

This device utilizes Pure Green LED chip which are made from InGaN on a Transparent GaN, substrate.

The device has face and segment option, please refer to **PRODUCT APPEARANCE**.

● DEVICE

PART NO.	DESCRIPTION
OPS-T2010SPG-GW	Common Anode Gray face White segment
OPS-T2011SPG-GW	Common Cathode Gray face White segment
OPS-T2010SPG-BW	Common Anode Black face White segment
OPS-T2011SPG-BW	Common Cathode Black face White segment

RoHS Compliance



Pb Free.



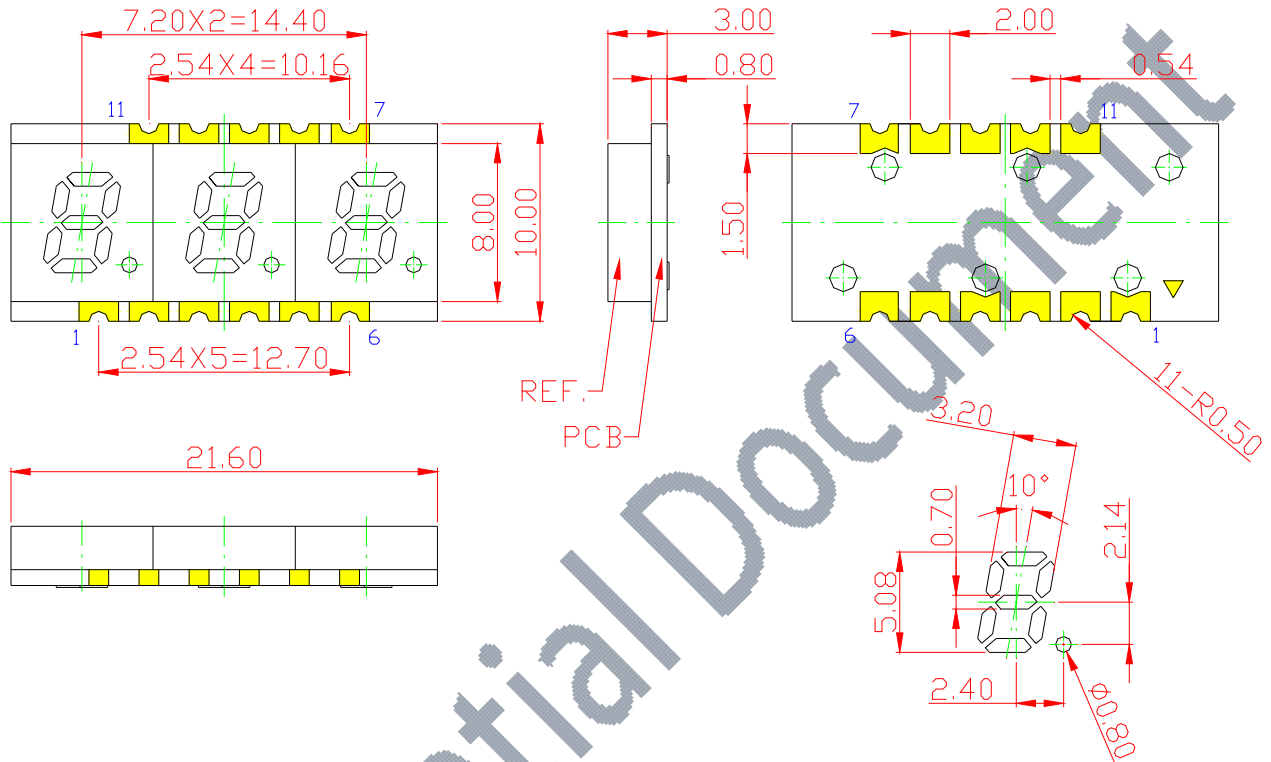


Opto Plus LED Corp.

0.20" SMD Type LED Display

OPS-T2010SPG | OPS-T2011SPG

● MECHANICAL DIMENSIONS



NOTES: All dimensions are in millimeters. Tolerances are ± 0.25 mm unless otherwise noted.



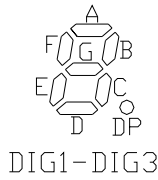
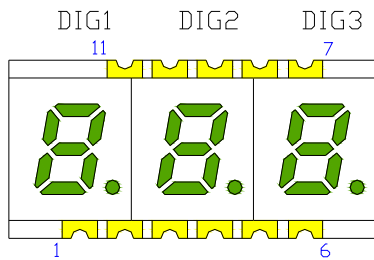
Opto Plus LED Corp.

0.20'' SMD Type LED Display

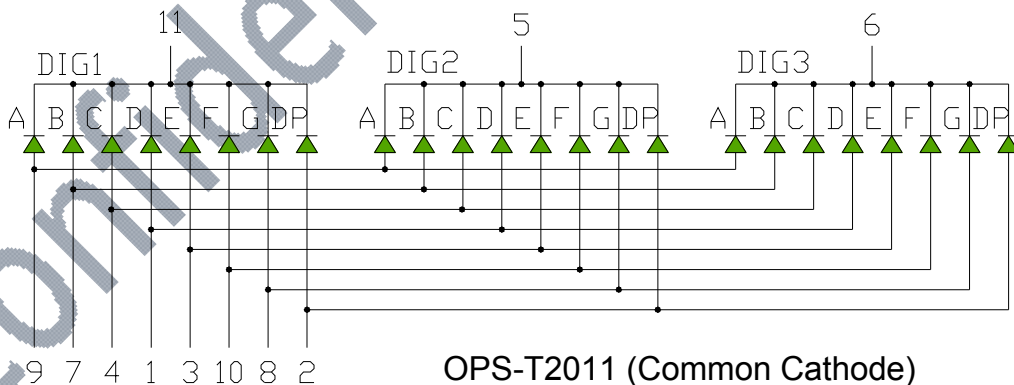
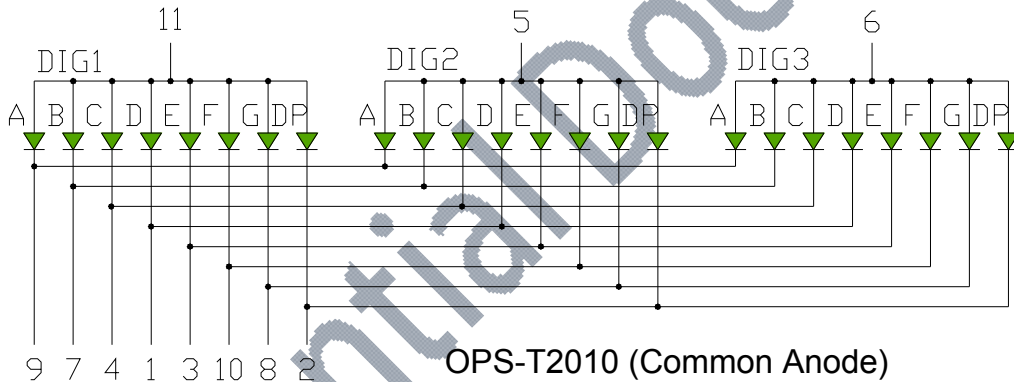
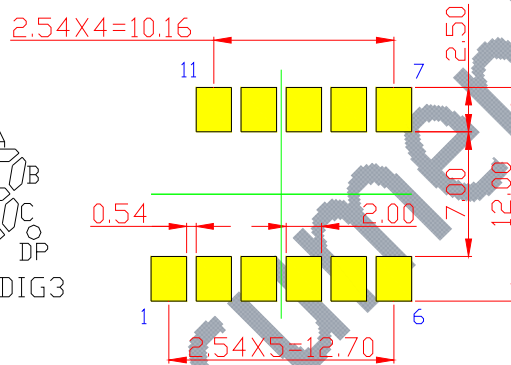
OPS-T2010SPG | OPS-T2011SPG

● TYPICAL INTERNAL EQUIVALENT CIRCUIT

Turn On Color



Recommended Soldering Pattern



※EMITTED COLOR : PURE GREEN



Opto Plus LED Corp.

0.20'' SMD Type LED Display

OPS-T2010SPG | OPS-T2011SPG

● PRODUCT APPEARANCE

The most common reflector color and segment color are show in below diagram.

-GW	-BW
※ REFLECTOR COLOR: Gray ※ SEGMENT COLOR: White	※ REFLECTOR COLOR: Black ※ SEGMENT COLOR: White

Opto Plus can customize reflector and segment colors by customer's request. If you have these request please visit www.opledtw.com or contact sales@opledtw.com for more **Standard Product Customization** information.

Part NO. related to reflector and segment colors show as table below.

PART NO.	DESCRIPTION
OPS-T2010SPG-GW	Common Anode Gray face White segment
OPS-T2011SPG-GW	Common Cathode Gray face White segment
OPS-T2010SPG-BW	Common Anode Black face White segment
OPS-T2011SPG-BW	Common Cathode Black face White segment



Opto Plus LED Corp.
0.20'' SMD Type LED Display
OPS-T2010SPG | OPS-T2011SPG

● **SPG: PURE GREEN (InGaN/GaN)**

ABSOLUTE MAXIMUM RATING AT Ta=25°C

Parameter	Symbol	Maximum Rating	Unit
Power dissipation	P_{AD}	90	mW
Continuous forward current	I_{AF}	30	mA
Peak current (duty cycle 1/10, 1kHz)	I_{PF}	60	mA
Reverse voltage	V_R	5	V
Operating temperature	T_{OPR}	-40 to +105	°C
Storage temperature	T_{STG}	-40 to +105	°C

ELECTRICAL - OPTICAL CHARACTERISTICS AT Ta=25°C

Characteristic	Symbol	Condition	Min.	Type.	Max	Unit
Forward Voltage, (Per Dice)	V_F	$I_F = 20\text{mA}$	-	3.0	3.4	V
Reverse Current, (Per Dice)	I_R	$V_R = 5\text{V}$	-	-	10	μA
Dominant Wavelength	λ_D	$I_F = 20\text{mA}$	515	-	530	nm
Luminous Intensity	I_v	$I_F = 20\text{mA}$	130	205	280	mcd
Spectral Line Half-Bandwidth	$\Delta\lambda$	$I_F = 20\text{mA}$	-	30	-	nm



www.opledtw.com

Opto Plus LED Corp.
0.20'' SMD Type LED Display
OPS-T2010SPG | OPS-T2011SPG

● **SPG: BIN GRADE (Unit : mcd) 20mA**

PURE GREEN	R	S	T
	130.0 – 180.0	180.1 – 230.0	230.1 – 280.0

● **SPG: HUE GRADE (λ_D : nm)**

1	2	3
515.0 – 520.0	520.1 – 525.0	525.1 – 530.0

● **AVAILABLE BIN / HUE TABLE**

R1	R2	R3
S1	S2	S3
T1	T2	T3



Opto Plus LED Corp.

0.20'' SMD Type LED Display

OPS-T2010SPG | OPS-T2011SPG

● SPG: PURE GREEN (InGaN/GaN) CURVE

Typical Electro-optical Characteristic Curves
(25 °C Free Air Temperature Unless Otherwise Specified)

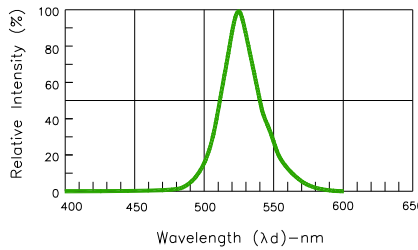


Fig. 1 Relative Intensity VS. Wavelength

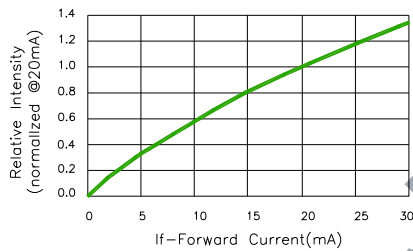


Fig. 2 Relative Luminous Intensity vs. Forward Current

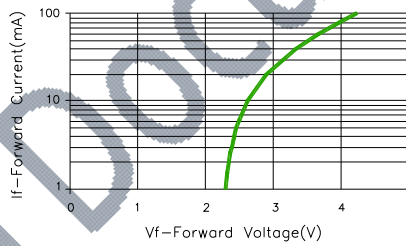


Fig. 3 Forward Current vs. Forward Voltage

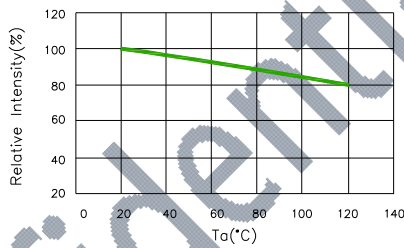


Fig. 4 Relative Intensity (@20mA) VS. Ambient Temperature

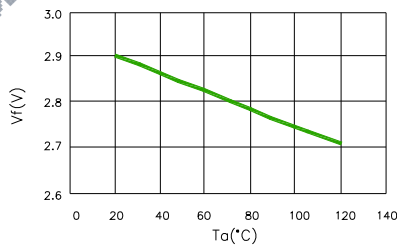


Fig. 5 Forward Voltage (@20mA) VS. Ambient Temperature

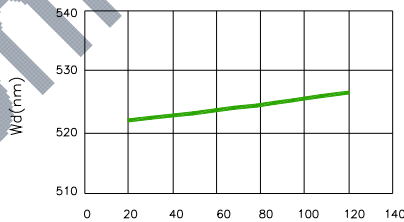


Fig. 6 Dominant Wavelength (@20mA) VS. Ambient Temperature

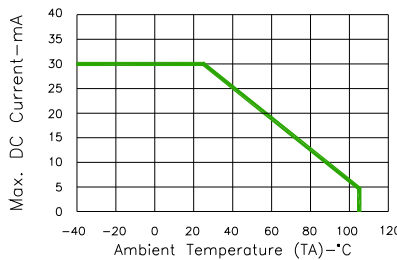


Fig. 7 Max. Allowable DC Current VS. Ambient Temperature



www.opledtw.com

Opto Plus LED Corp.

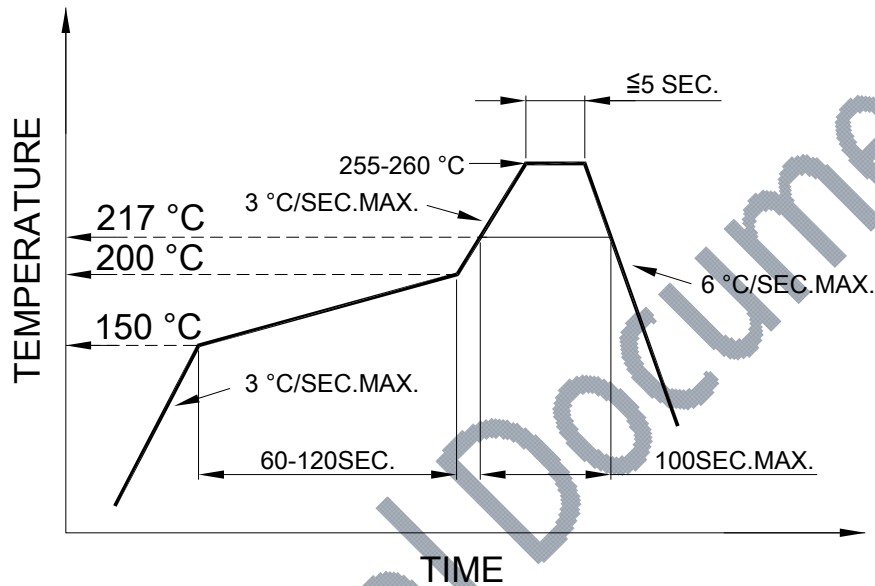
0.20" SMD Type LED Display

OPS-T2010SPG | OPS-T2011SPG

● SMT REFLOW SOLDERING INSTRUCTIONS

SMT Soldering Profile

Pb free reflow soldering Profile



- We recommend the reflow temperature 245°C (+/- 5°C).
The maximum soldering temperature should be limited to 260°C.
- Number of reflow process shall be 2 times or less.

● SOLDERING IRON

Basic spec is ≤ 4 sec when 260°C. If temperature is higher, time should be shorter (+10°C → 1 sec). Power dissipation of Iron should be smaller than 15W, and temperature should be controllable. Surface temperature of the device should be under 230°C.

● REWORK

- Customer must finish rework within 3 sec. under 350°C.
- The head of soldering iron cannot touch copper foil.

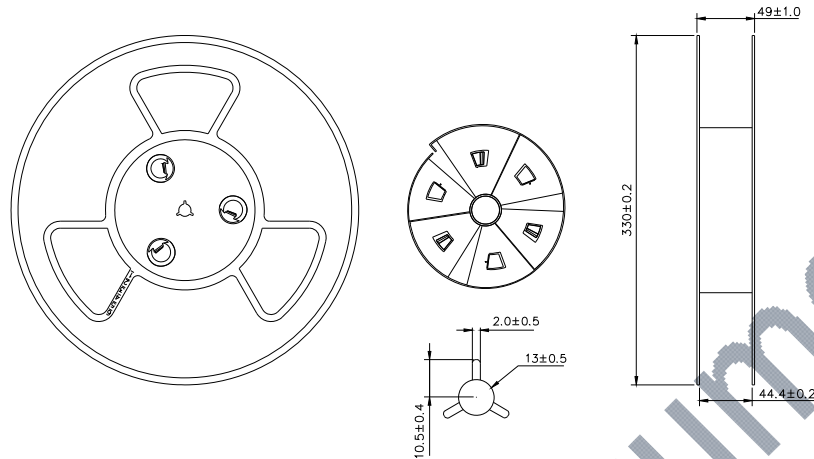


Opto Plus LED Corp.

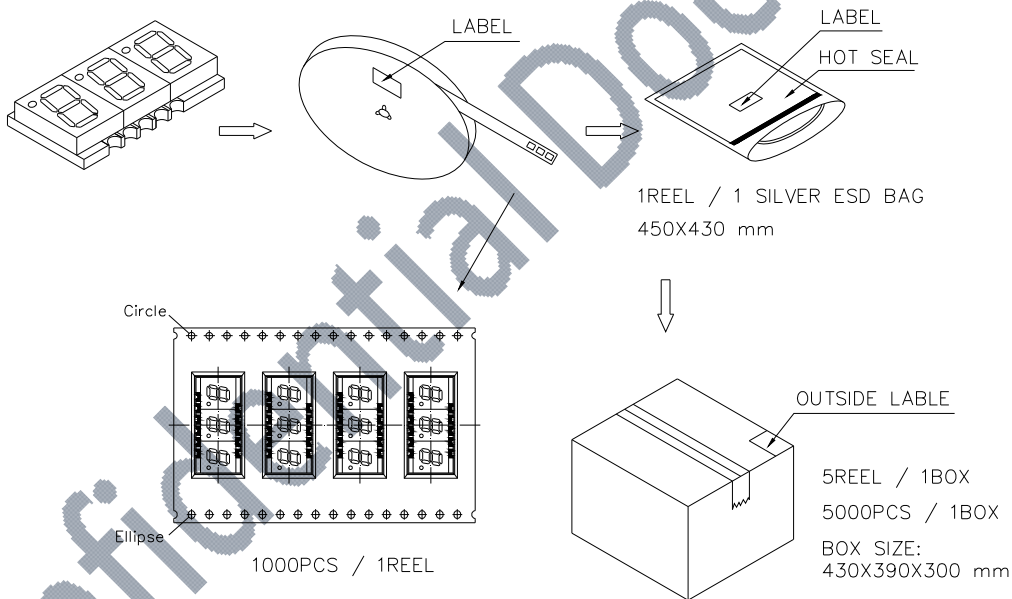
0.20'' SMD Type LED Display

OPS-T2010SPG | OPS-T2011SPG

● REEL DIMENSIONS



● PACKING & LABEL SPECIFICATIONS



● STORAGE CONDITION

In factory original sealed bag package

TEMPERATURE CONDITION	HUMIDITY CONDITION
5°C ~ 30°C	Below 60%RH

After opened and not in factory original sealed bag package

TEMPERATURE CONDITION	HUMIDITY CONDITION	STORAGE TIME
5°C ~ 30°C	Below 60%RH	Within 4 weeks (MSL as level 2a)