



Molded-plastic enclosure for surface mounting with EMERGENCY-STOP rotary operating mechanism 54 mm, with metric cable gland No UL/CSA approval

product designation	ISO surface-mounted housing with EMERGENCY OFF
design of the product	Assembly
General technical data	
product function EMERGENCY OFF function	Yes
protection class IP of the enclosure	IP55
Substance Prohibittance (Date)	07/01/2006
Enclosure	
material of the enclosure	plastic
Installation/ mounting/ dimensions	
height	155 mm
width	85 mm
depth	126 mm

Approvals Certificates			
General Product Approval	Declaration of Conformity	Test Certificates	Marine / Shipping

[Confirmation](#)



EG-Konf.

[Special Test Certificate](#)



ABS

Marine / Shipping	other	Railway
-------------------	-------	---------



[Miscellaneous](#)

[Confirmation](#)



VDE

[Special Test Certificate](#)

Further information

Siemens has decided to exit the Russian market (see here).

<https://press.siemens.com/global/en/pressrelease/siemens-wind-down-russian-business>

Siemens is working on the renewal of the current EAC certificates.

Please contact your local Siemens office on the status of validity of the EAC certification if you intend to import or offer to supply these products to an EAC relevant market (other than the sanctioned EAEU member states Russia or Belarus).

Information on the packaging

<https://support.industry.siemens.com/cs/ww/en/view/109813875>

Information- and Downloadcenter (Catalogs, Brochures,...)

<https://www.siemens.com/ic10>

Industry Mall (Online ordering system)

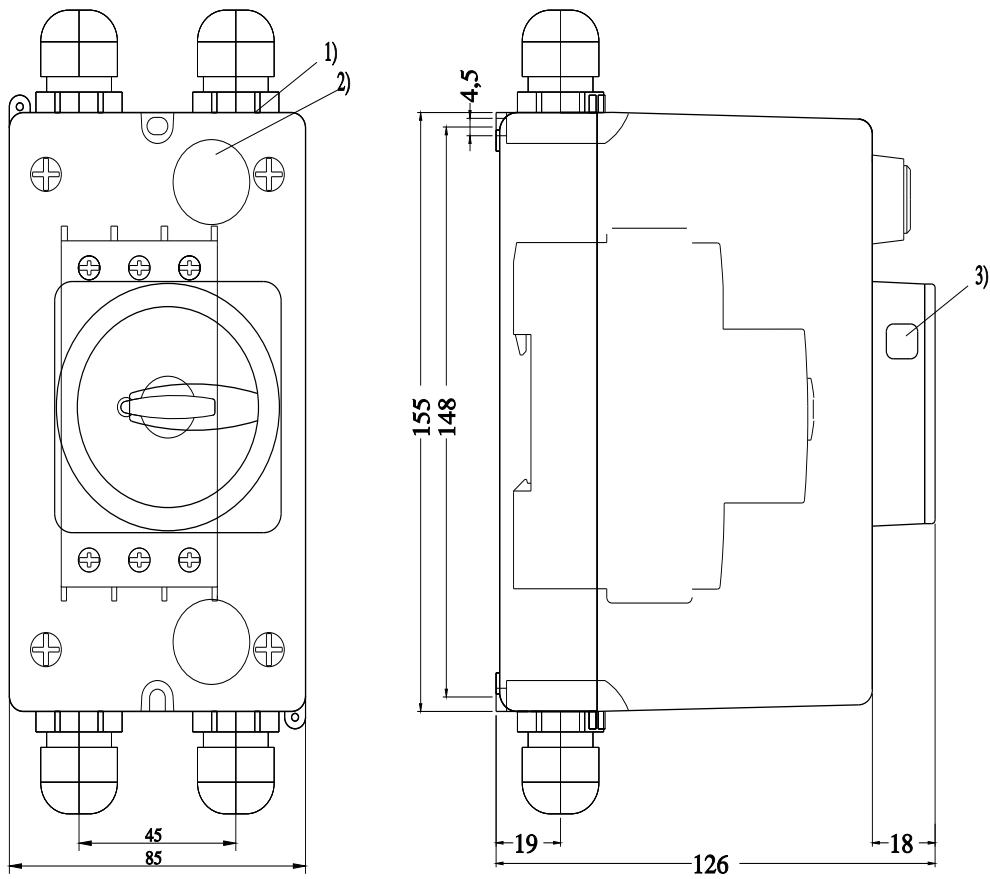
<https://mall.industry.siemens.com/mall/en/en/Catalog/product?mlfb=3RV1923-1FA00>

Cax online generator

<http://support.automation.siemens.com/WW/CAXorder/default.aspx?lang=en&mlfb=3RV1923-1FA00>

Service&Support (Manuals, Certificates, Characteristics, FAQs,...)

<https://support.industry.siemens.com/cs/ww/en/ps/3RV1923-1FA00>



- 1) Ausbrechoeffnung fuer Verschraubung M25
- 2) Ausbrechoeffnung fuer ruecksaeitige Leitungseinfuehrung
- 3) Oeffnung fuer Vorhaengeschluss mit Buegeldurchmesser max. 8 mm

last modified:

12/23/2020