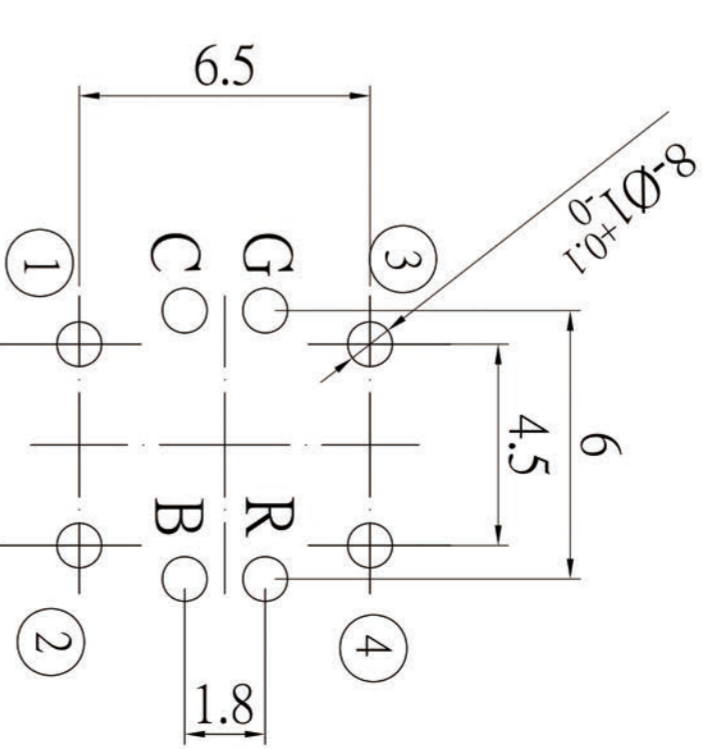
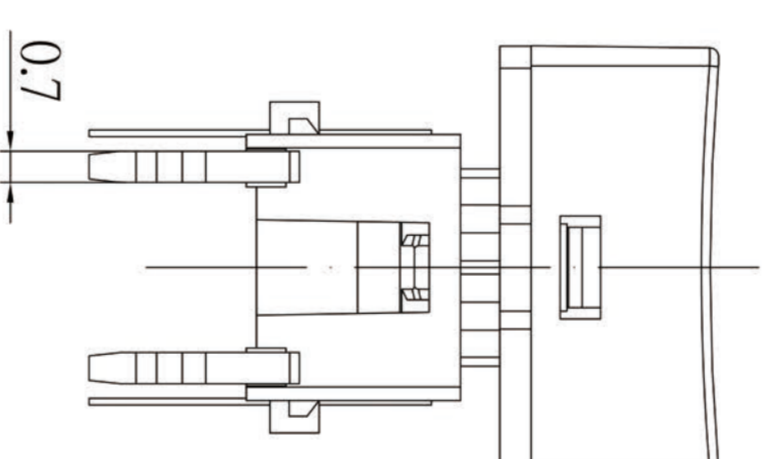
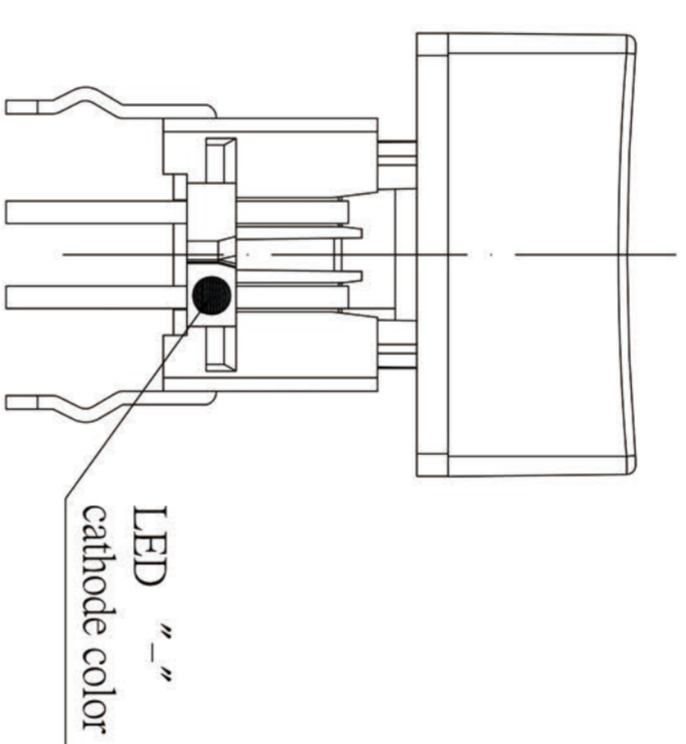
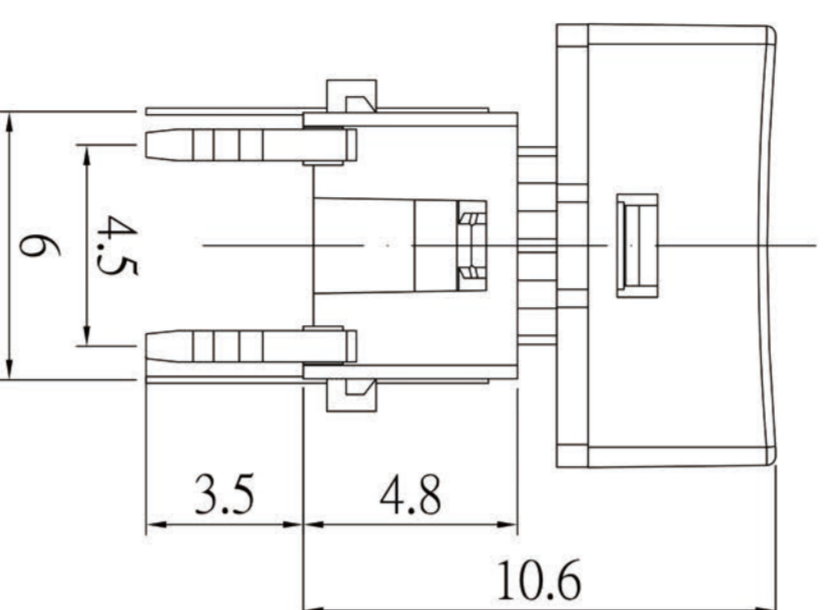
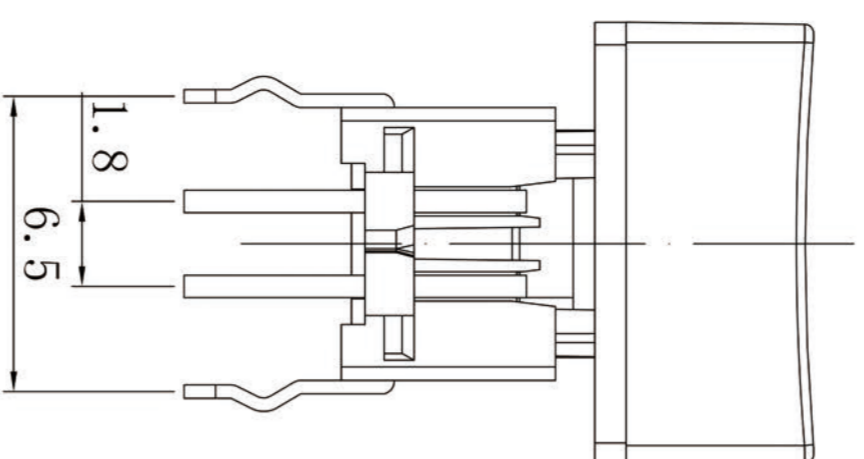
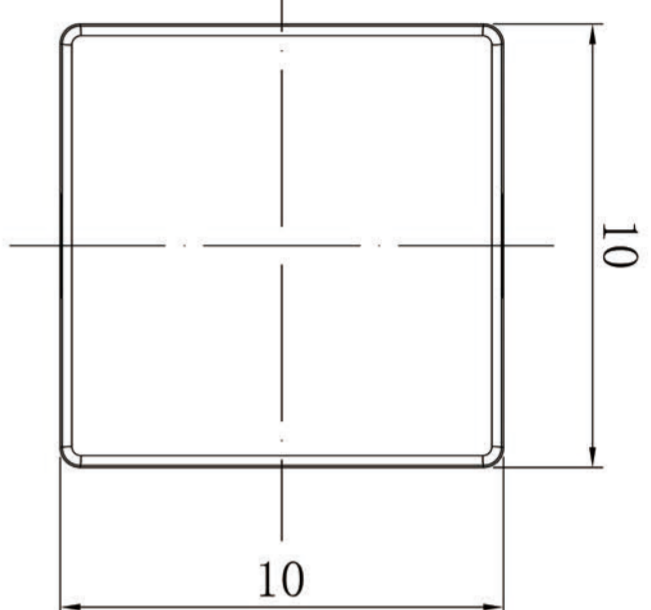
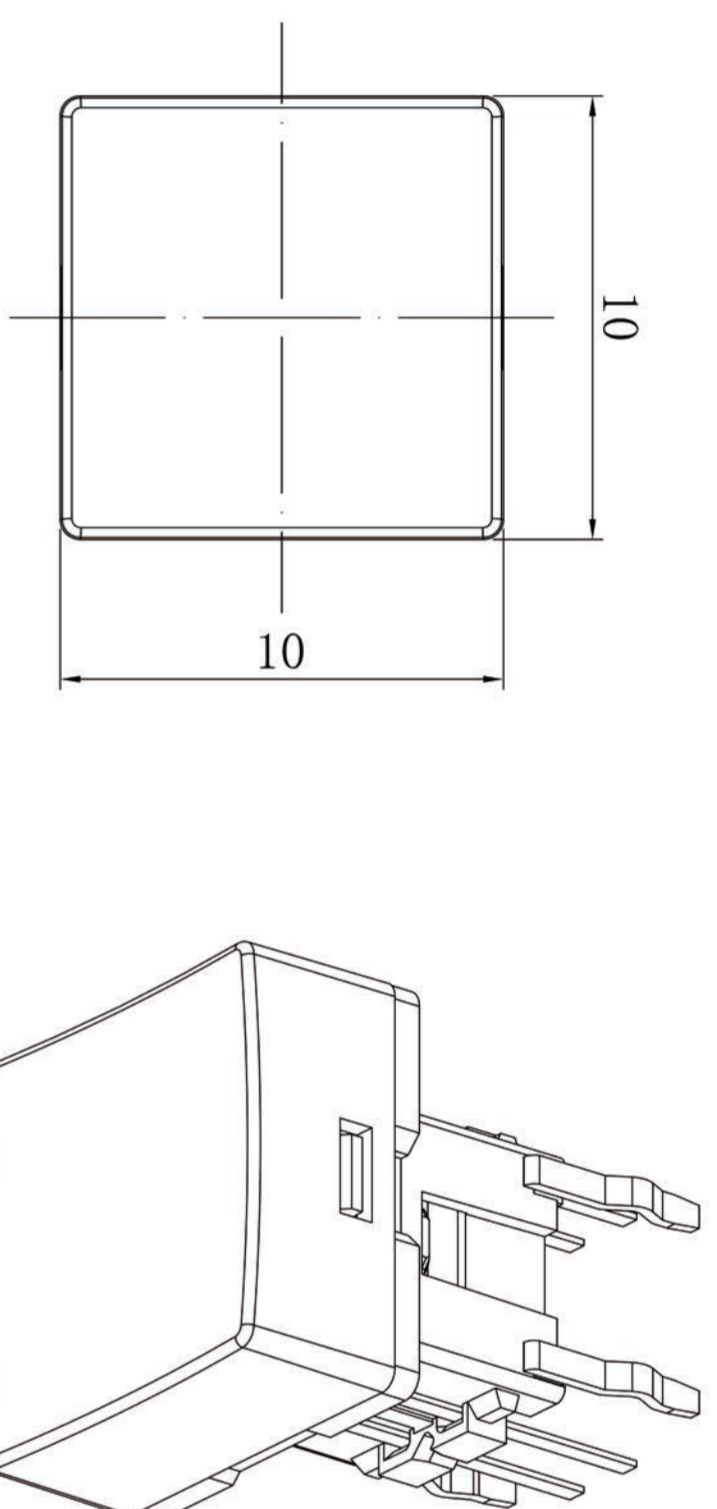
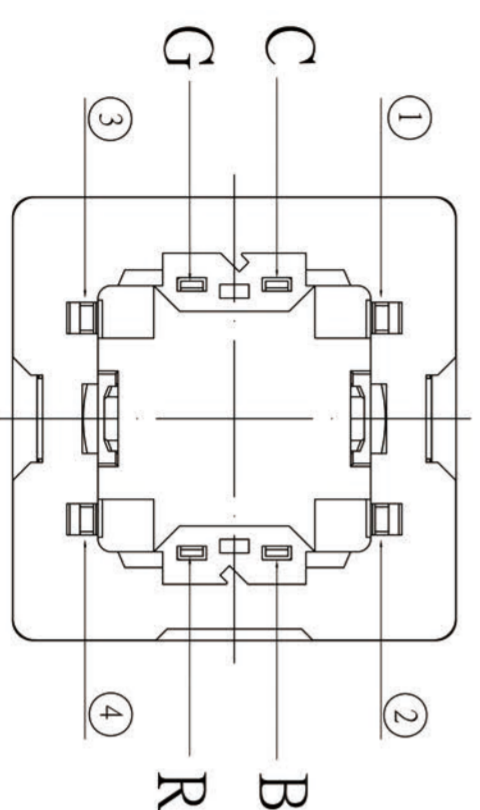
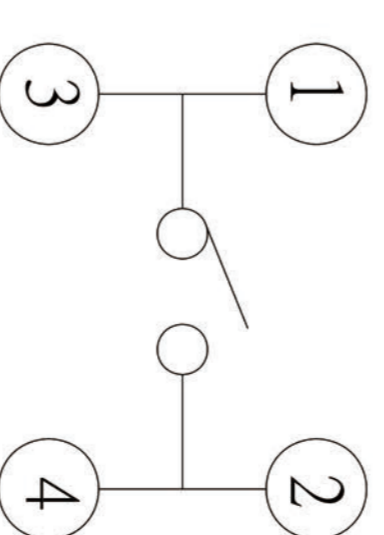


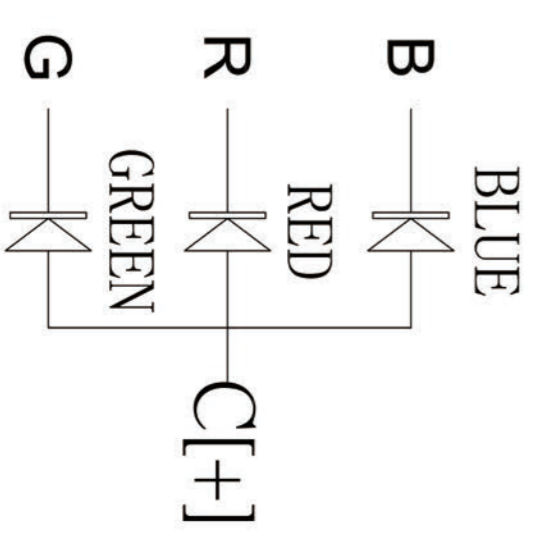
DIMENSION	TOLERANCE
BELOW 10 mm	± 0.25
10~50 mm	± 0.4
ABOVE 50 mm	± 0.7



P.C.B LAYOUT



1. RATING : 12 V DC , 50 mA .
2. CONTACT RESISTANCE : 100 mΩ MAX .
3. INSULATION RESISTANCE : 500 V DC , 100MΩ MIN .
4. OPERATION FORCE : 250±80gf .
5. OPERATION TEMPERATURE RANGE : -20°C ~ +70°C .
6. OPERATION LIFE : 500,000 CYCLES .



CIRCUIT DIAGRAM

VER	DATE	APPROVAL	CONFIRM	DESIGN	ENGINEERING RECORD DESCRIPTION	UNIT	MODE	TACT WITH LED SWITCH	VIEW
V0	2021/7/25	JOHNSON	ALEN	MIKE	ORIGINAL DESIGN	mm	ANGLE TER	± 3°	⊕
						SCALE	1 : 1		⊖
						PART	TL1-ENNFN-BTW		☞

WWW.SZLAKEVIEW.COM
ELECTRONICS CO., LTD

PHONE (86)755-29424722/29424733