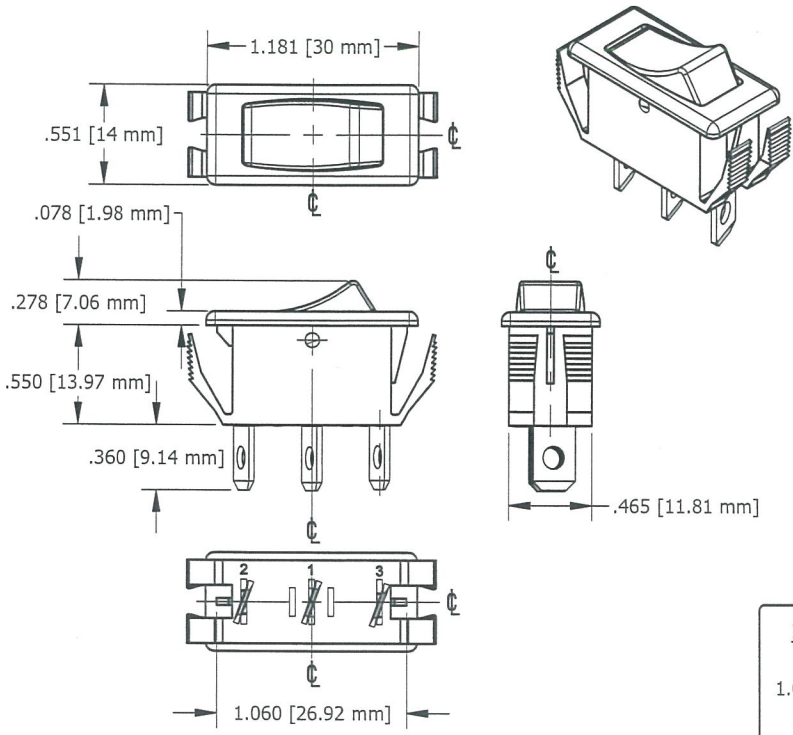


THIS INFORMATION IS CONFIDENTIAL AND PROPRIETARY TO CW INDUSTRIES INCORPORATED AND ITS AFFILIATES. IT MAY NOT BE DISCLOSED TO ANYONE OTHER THAN CW INDUSTRIES PERSONNEL, WITHOUT WRITTEN AUTHORIZATION FROM CW INDUSTRIES INCORPORATED, SOUTHAMPTON, PENNSYLVANIA, USA.

DIMENSIONS IN INCHES (MILLIMETERS) DO NOT SCALE DRAWING .....		Dwg. No. <b>CRSP SP SERIES SWITCH</b>
REVISIONS	0	New drawing. DWG 9/22/21 <i>DGW</i>



**Approvals:**  
UL recognized, CSA certified.  
Load rating: 20A 125/250 VAC, 1 HP, 125/250 VAC.  
Contacts: Fine silver, Standard.  
Dielectric strength: 1250 Volts (Live parts to ground).  
Life: 35,000 Operations at maximum rating.  
Insulation Resistance: 5 megohms.

**Low Level Control:**  
For low level/dry circuit applications (<100 ma) contact factory for part number (Gold plated contacts).

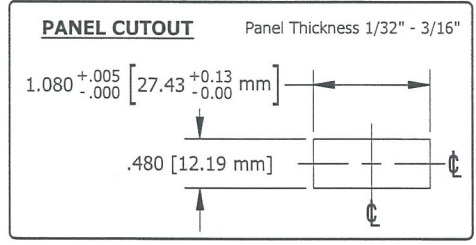
**High Inrush:**  
125 Amp inrush capability (AgNi contacts).

**Terminals:**  
.250" Wide x .031" Thk. Quick connect.

**Mechanical operation:** 100,000 Cycles

**Markings:**  
Letters, numbers and symbols can be applied to rocker Actuator or to Housing bezel. Consult factory.

**Mounting:**  
Snap-in type panel mounting for ease of installation without additional mounting hardware.



( ) = Momentary

Circuit	Switching	OFF	ON
1	SPST Maintained		
2	SPDT Maintained		
3	SPDT Maintained Center Off		
4	SPST (Momentary) Normally Open		
5	SPST (Momentary) Normally Closed		
6	SPDT (Momentary) Transfer		
7	SPDT Maintained Center Off (Momentary)		
8	SPDT (Momentary) Center Off (Momentary)		

**ORDERING INFORMATION:**

**CRSP** — [ ] — [ ] — [ ] — [ ] — [ ]

Circuit	Terminal Option	Actuator Color	Housing Color	Accessories (Optional)
1=SPST, Maintained 2=SPDT, Maintained 3=SPDT Maintained Center Off 4=SPST, (Momentary) Normally Open 5=SPST, (Momentary) Normally Closed, 6=SPDT, (Momentary) Transfer 7=SPDT, Maintained Center Off (Momentary) 8=SPDT, (Momentary) Center Off (Momentary)	A=Fine Silver (Normal Duty) G=Gold Plated Contacts H=High Inrush Contacts	7=White 9=Black 12=Red	M9=Matte Black (For other colors) Contact Factory	T=Boot

		Title: <b>CRSP SERIES NON-ILLUMINATED SP ROCKER SWITCH</b>
A Unit of Electro Switch Corp.		
TOLERANCES UNLESS OTHERWISE SPECIFIED		
2 Place Decimal ± .010	METRIC	
3 Place Decimal ± .005	1 Place Dec. ± .25mm	
Angles ..... ± 1°	2 Place Dec. ± .13mm	
Made for: CW/OSLO	Division: SWITCH	
Drawn by: DGW 9/21/2021		
Checked by: <i>G. GULD 9-30-21</i>	Dwg. No.	
Approval: <i>C. H. 9/30/21</i>	<b>CRSP SP SERIES SWITCH</b>	

**MASTER**