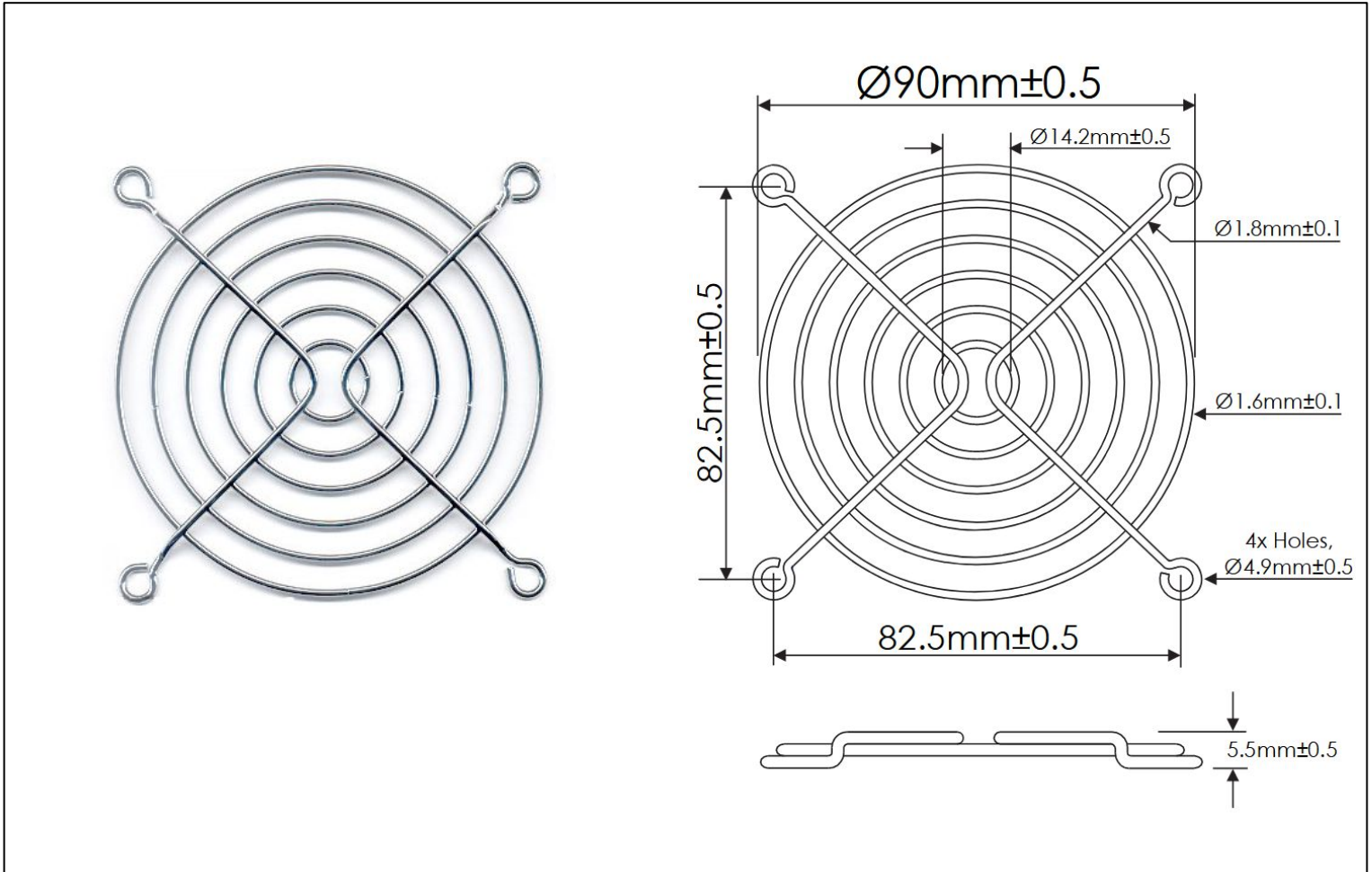


# G92-16, G92-16B



# Fan Guard for 92mm Fans



|                |                                                                                                      |
|----------------|------------------------------------------------------------------------------------------------------|
| Description    | Steel Wire fan guards with Nickel Chrome or Black surface finish.                                    |
| Guard Material | C1008 Bright Basic Wire                                                                              |
| Mounting       | 4x- $\text{Ø}4.9\text{mm}\pm0.5$ Mounting Holes                                                      |
| Specifications | Welds withstand 88 lbs. Pull Force. Part meets 6.35mm plug gauge test. 5.66mm spacing between rings. |

| Part Number | Description                          |
|-------------|--------------------------------------|
| G92-16      | 92mm Fan Guard, Nickel Chrome Finish |
| G92-16B     | 92mm Fan Guard, Black Finish         |
| G92-16/PK   | 10-Pack G92-16 Fan Guards, Boxed     |
| G92-16B/PK  | 10-Pack G92-16B Fan Guards, Boxed    |