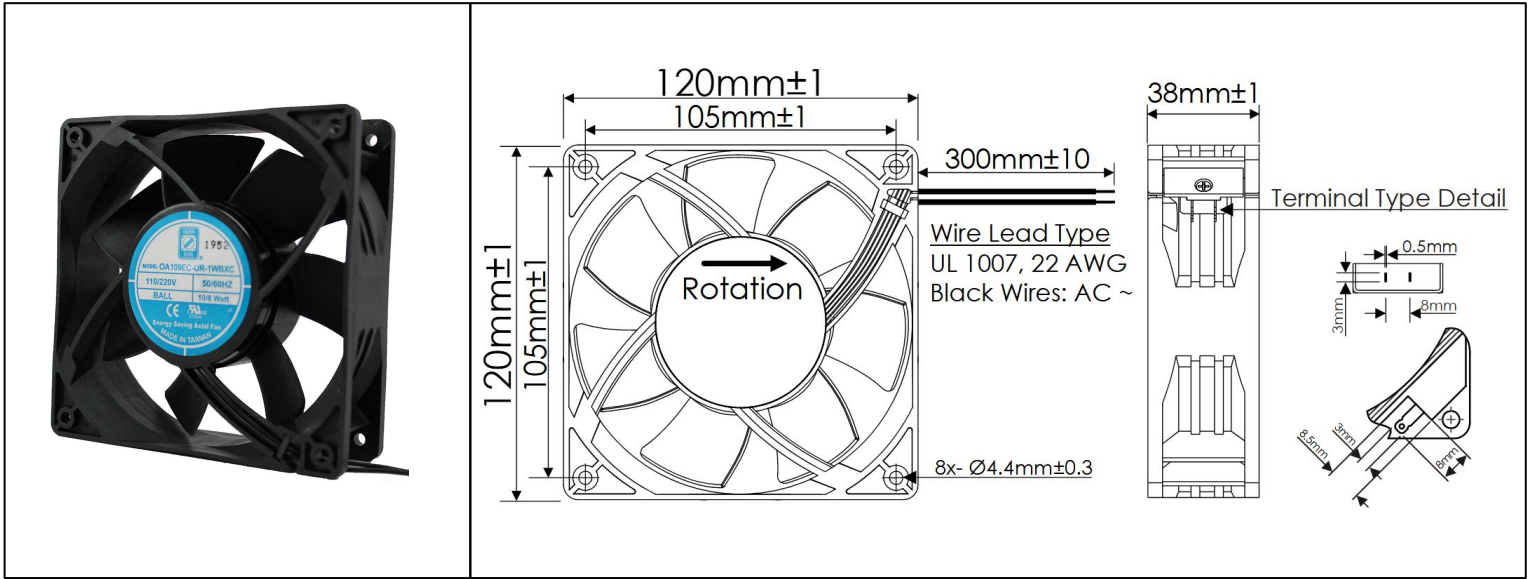


OA109EC XC Series



EC Fan - Universal Voltage
120mm x 38mm (4.72" x 1.50")



Frame	PBT, UL94 V-0 Plastic	<u>Operating Temperature</u> -20°C ~ +65°C		
Impeller	PBT, UL94 V-0 Plastic			<u>Storage Temperature</u> -20°C ~ +75°C
Connection	2x Wire Leads, UL 1007 22 AWG, or Terminals	<u>Life Expectancy</u> 70,000 Hours (L10 at 40°C)		
Motor	Electronically Commutated, Electronically Protected	<u>Available Options</u> PWM Speed Control Input Tachometer Output Alarm Output IP Ratings		
Bearing System	Ball Bearings			Weight: 0.68 lbs.
Dielectric Strength	1500VAC/min, <1mA			
Insulation Resistance	≥10MΩ @ 500 VDC			

Part Number	OA109EC-UR-1*BXC
Rated Voltage (Volts AC)	115 / 230
Frequency (Hertz)	50 / 60
Voltage Range (Volts AC)	85 ~ 256
Input Power (Watts)	10 ~ 8 Max (6.5 Typical)
Rated Speed (RPM)	3000
Max Airflow (CFM)	133.8
Noise Level (dBA)	47
Max Static Pressure ("H ₂ O)	0.42

*Indicate "T" for Terminal type, or "W" for Wire Lead type