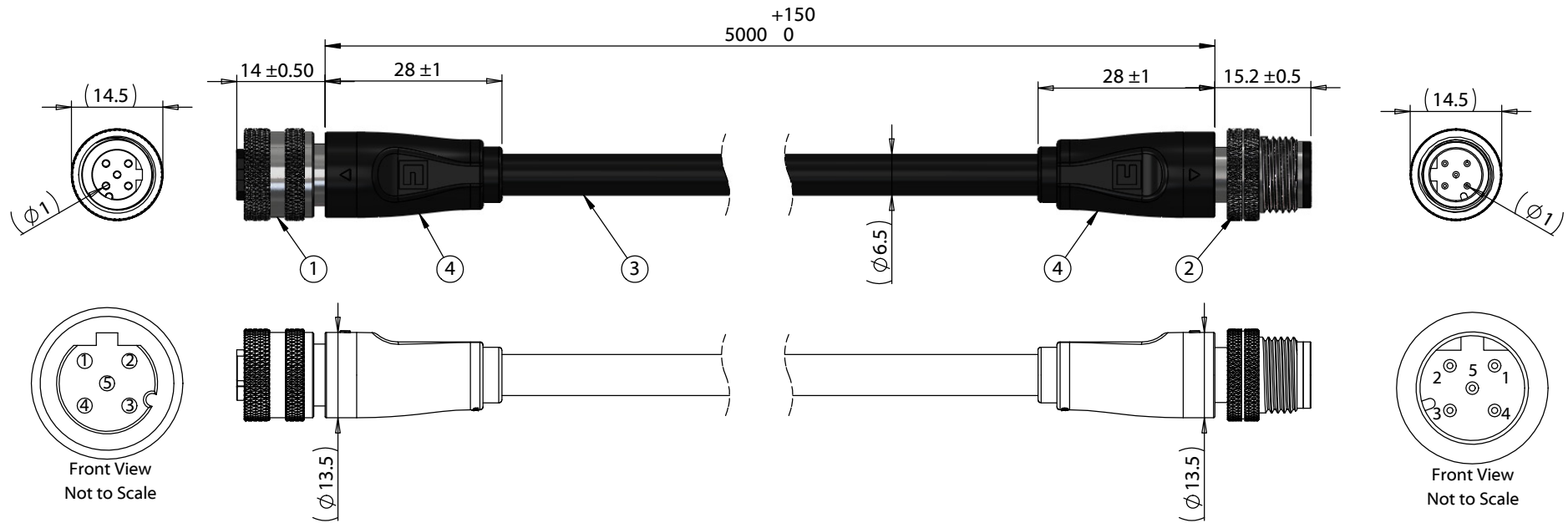


ITEM NO.	PART NUMBER	DESCRIPTION	QTY.	COMPONENT NOTES
1	50-01032	Connector, 5 pin M12 D-code socket, 12xL22mm, gold plated, molding style, solder cup, IP67, shielded	1	
2	50-01033	Connector, 5 pin M12 D-code plug, 12xL22mm, gold plated, molding style, solder cup, IP67, shielded	1	
3	30-01586	Wire, 5C TS, 22 AWG, UL20387, 300V, 105C, 60C oil, UV, 6.5 mm, shielded, VW-1, PVC, 80A, black	1	
4	24-00349	Overmold, M12 plug and jack, 180°	2	PVC, black



Notes:
 Cable rated for 60 V, 4 A
 Temperature: -40 ~ 105 °C
 Oil resistant up to 60 °C
 Water resistant up to 75 °C
 UV resistant

IP67 waterproof rating when mated with corresponding (IP67) connector

Functionally equivalent components may be substituted

Wiring Diagram		
50-01032	wire color	50-01033
1	red	1
2	yellow	2
3	black	3
4	white	4
5	blue	5
Shell	shield/drain	Shell

Revision:	Date:	Description:	Prepared:	Notes:	<h1>TENSILITY</h1> <p>tel 1.541.323.3228 800 877.670.7118 fax 1.541.323.4202 web tensility.com</p> <p>Size: Part number: A 10-05684</p> <p>Scale: 1:1 Sheet 1 of 1</p>
A	9/25/2023	Initial release	Verified:	RoHS compliant	
			Dimensions are in millimeters. Tolerances: X: ± 0.5 mm X.X: ± 0.3 mm X.XX: ± 0.05 mm	Function test: no open, no short circuit, no intermittent	
				Description: Cable, 5000mm, 1.0 mm 5C 50-01032 M12 socket D-code to 50-01033 M12 plug D-code, 22 AWG, 30-01586 wire, shielded	

5

4

3

2

1