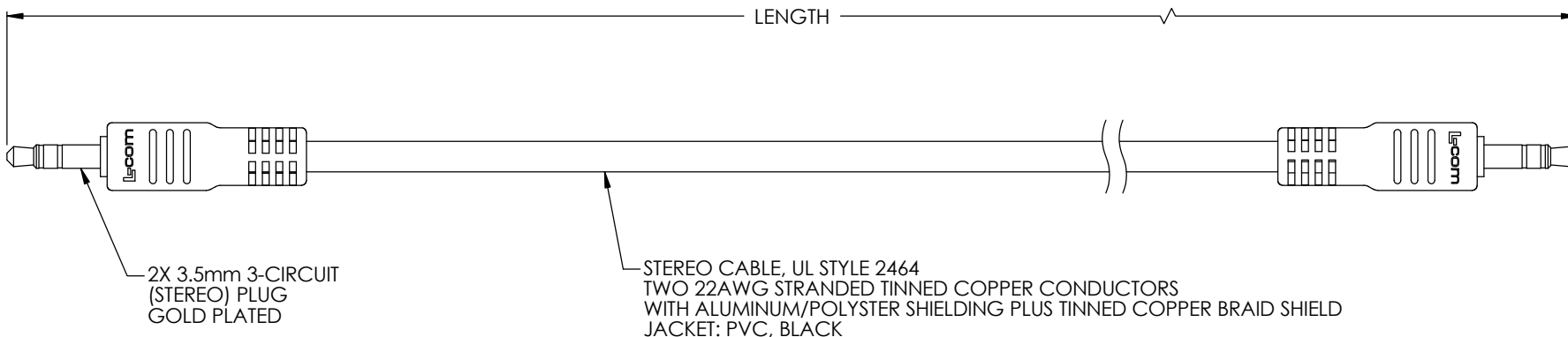


THE INFORMATION CONTAINED IN THIS DRAWING IS THE SOLE PROPERTY OF L-COM, INC. ANY REPRODUCTION IN PART OR WHOLE WITHOUT THE WRITTEN PERMISSION OF L-COM, INC. IS PROHIBITED.

 **RoHS Compliant** ✓


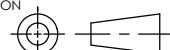
REVISIONS			
REV	DESCRIPTION	DATE	APPROVED
E	ECN 6560: UPDATED LOGO, FORMAT, & NOTES. ADDED PKG & ROHS	12/3/12	D. DESJARDIN



MODEL NUMBER	LENGTH FEET [METERS]
CTL35MM-3	3 [.91]
CTL35MM-5	5 [1.52]
CTL35MM-10	10 [3.05]
CTL35MM-25	25 [7.62]
CTL35MM-50	50 [15.24]
CTL35MM-100	100 [30.48]

 NOTES:

1. CABLE SHALL BE TESTED FOR CONTINUITY.
2. CABLE SHALL BE INDIVIDUALLY PACKAGED IN ACCORDANCE WITH L-COM SPECIFICATION PS-0031.

UNLESS OTHERWISE SPECIFIED, DIMENSIONS ARE IN INCHES [mm] OVERALL CABLE LENGTH TOLERANCE: ≤12 [305] = +1 [25] / -0 >12 [305] ≤60 [1524] = +2 [51] / -0 >60 [1524] ≤120 [3048] = +4 [102] / -0 >120 [3048] ≤300 [7620] = +6 [152] / -0 >300 [7620] = +3% / -0%	APPROVALS	DATE	 45 BEECHWOOD DRIVE NORTH ANDOVER, MA 01845
	DRAWN BY D PARHAM	8/16/2001	
ALL OTHER DIMENSIONAL TOLERANCES: .X = ±.2 .XX = ±.02 .XXX = ±.005	CHECKED BY C MCCORMICK	8/17/2001	CATEGORY <b>AUDIO/VIDEO</b>
	APPROVED BY T CLARK	8/17/2001	PRODUCT DESCRIPTION <b>CA AUDIO 3.5mm M/3.5mm M</b>
PROJECTION 	CONFIGURATION DETAILS OF UNDIMENSIONED FEATURES MAY VARY	COLOR VARIATIONS MAY OCCUR	SIZE <b>A</b> FSCM NO. <b>43321</b> DWG. NO. <b>CTL35MM</b> REV. <b>E</b>
SCALE: NONE		CAD FILE: CTL35MM.SLDDRW	SHEET 1 OF 1