

ETP21 Temperature Sensor

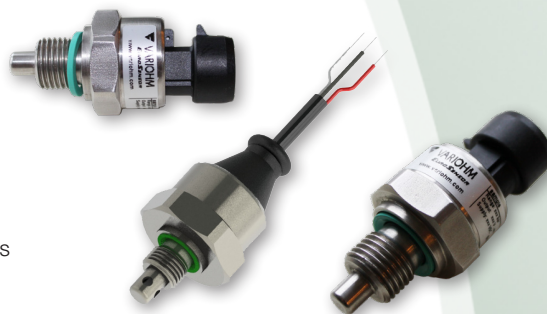


- Long life and high performance
- Light weight stainless steel design
- Low cost temperature measurement

The **ETP21** is specifically designed for applications that require an easy mountable and robust temperature sensor.

Flexibility in design and available options provide solutions for most requirements of machine builders, special purpose vehicles and motor manufacturers.

The measurement element is the well proven PT100.



Specification

Performance	
Accuracy	< +/- 1.0 % at RT
Environment	
Temperature	-40°C to +125°C
Shock	1000 G, 11 msec., 1/2 Sine
Vibration	16 G peak, 20 to 2000 Hz
Sealing	IP 67
Max. operating pressure	M10; G1/4 : 160 bar static BC: 60 bar static

Electronics	
Output → Supply	0 - 10 V → 12 - 32 VDC 0 - 5 V → 6 - 32 VDC 4 - 20 mA → 10-32 VDC 0,5 - 4,5 V → 5 VDC ratiometric
Current consumption	< 7.5 mA
Short circuit protection	Yes
Reverse voltage protection	Yes
Mechanics	
Housing	304 stainless steel
Process connections	see select table
Electrical connection	see select table
Weight	approx. 30 g

Ordering Information

(Please use the characters in the chart below to construct your product code)

Stock models: ETP21-M10x1-(-40/150)-5-A
ETP21-A-(-40/150)-2-F

Sample Code: **ETP21 - A - -40/150 - 5 -A**

Series	Process connection	Temperature Range	Output Signal	Electrical Interface
ETP21	A - G1/4A-E M10 - M10x1 Male BC - Bird cage with M10x1	Range		
		0..80°C	0/80	1 = 0..10 V 2 = 4..20 mA 4 = 0.5 V 5 = 0.5..45 V ratiometric
		-40..+150°C	-40/150	A - 600 mm cable B - Miniature connector EN175301-803-C C - Connector - Packard Metripac F - M12x1 Round connector

Options available on request

The ETP21 series is backed by a 1 Year Warranty. The purchaser is responsible for compatibility of the media, functional adequacy and correct installation of the transmitter.

PITCH TECHNOLOGIES

Votre distributeur Variohm en France
6 rue de la Prévôté
78550 HOUDAN

☎ 01 34 85 54 68

🌐 <https://pitch-technologies.fr>
✉ info@pitch-technologies.fr

Variohm EuroSensor - Williams' Barn - Tiffield Road - Towcester - Northants - NN12 6HP - UK
sales@variohm.com • www.variohm.com • +44 (0) 1327 351004

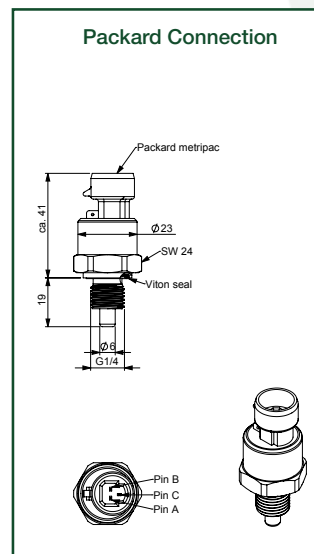
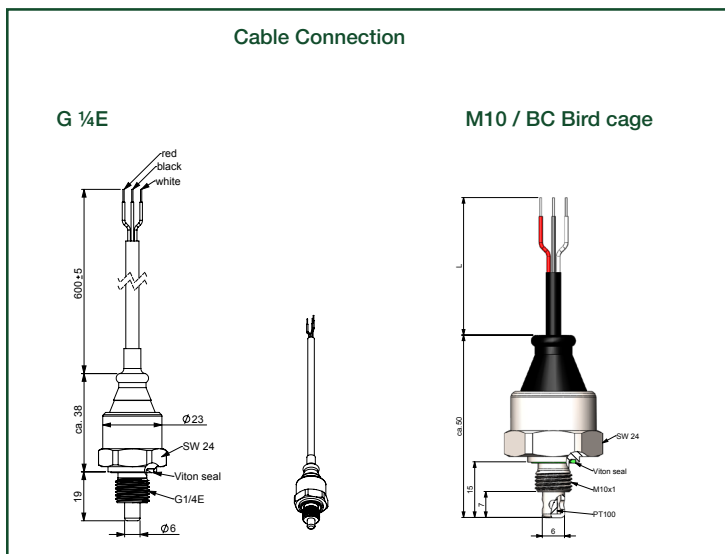
Subject to change without notice



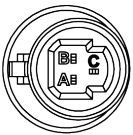
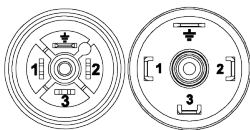

ETP21 Temperature Sensor



Dimensions



Connection

Type		Output	PIN A	PIN B	PIN C
	Connector - Packard Metripac	0,5 - 4,5V 0..5 V 0..10 V	- Supply	+ Supply	+ Output
		4..20mA	Current Output -	+ Supply	N/A
	Miniature connector EN175301-803-C	0,5 - 4,5V 0..5 V 0..10 V	+ Supply	- Supply	+ Output
		4..20mA	+ Supply	- Current output	N/A
	M12x1 Round coinconnector	0,5 - 4,5V 0..5 V 0..10 V	+ Supply	N/A	- Supply
		4..20mA	+ Supply	N/A	- Current output
	Cable	0,5 - 4,5V 0..5 V 0..10 V	+ Supply	- Supply	+ Output
		4..20mA	+ Supply	Current output -	N/A

PITCH TECHNOLOGIES

Votre distributeur Variohm en France
6 rue de la Prévôté
78550 HOUDAN

☎ 01 34 85 54 68

🌐 <https://pitch-technologies.fr>
✉ info@pitch-technologies.fr



Variohm EuroSensor - Williams' Barn - Tiffeld Road - Towcester - Northants - NN12 6HP - UK
sales@variohm.com • www.variohm.com • +44 (0) 1327 351004

Subject to change without notice