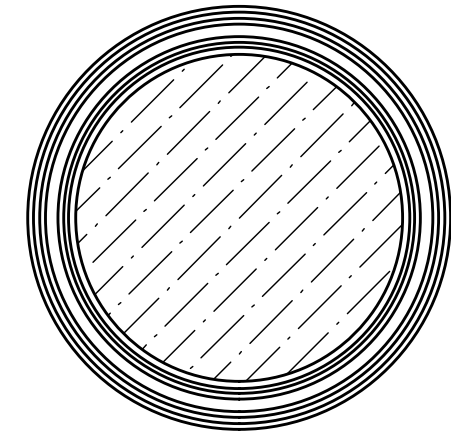
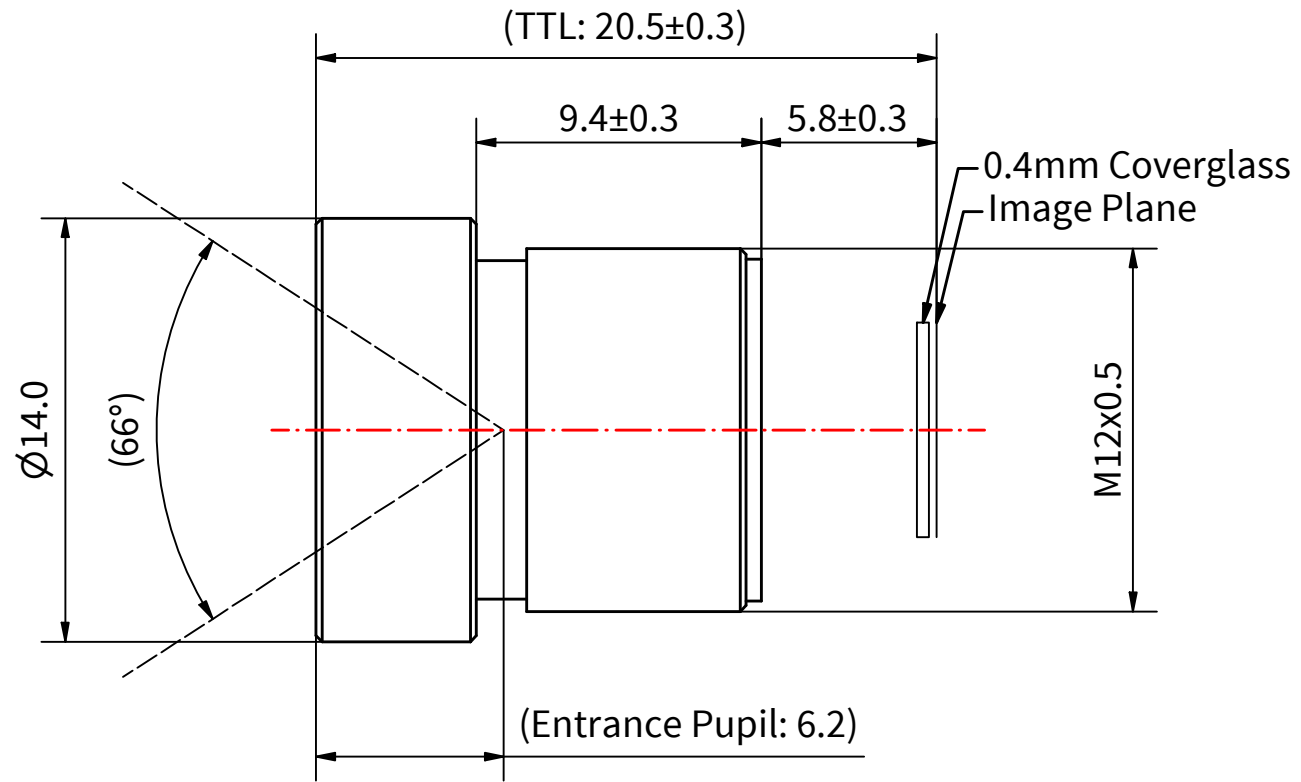
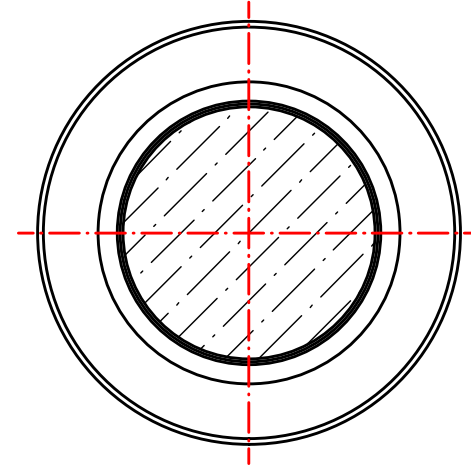
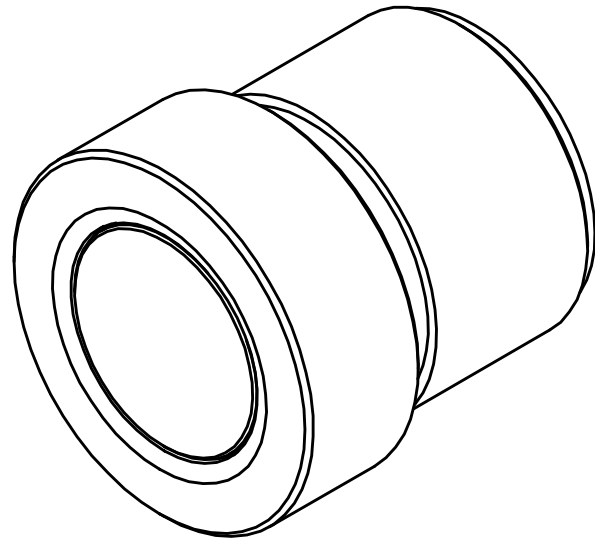


Revision History		
Rev	Description	Date
1	Release	9/24/2021
2	Update Formatting	11/2/2022
3	Update Title Block	9/17/2024



- Notes:
- 1.) Dimensions in parentheses are for reference only.
  - 2.) IP69K-rated.
  - 3.) No filter.

Name	Date	Effective Focal Length (EFL)	Format Type	Nominal Resolution	Image Circle	FOV	Rectilin.	F-θ	TV (4:3)	UNLESS OTHERWISE SPECIFIED DIMENSIONS ARE IN MILLIMETERS			
Drawn	Jason Holtkamp	9/17/2024	6.0mm	1/2.5"	3MP, 3µm	3.5mm	33°	-2%	+1%	-1%	TOLERANCES: MECHANICAL: X ±1 XX ±0.1 XXX ±0.01 OPTICAL: ±5% OF NOMINAL VALUE		
Checked			F/#	Design Image Circle	Max Image Circle	6.0mm	56°	-6%	+2%	-4%	THIRD ANGLE 		
QA Appr.			Chief Ray Angle (CRA)	Operating Temperature	Storage Temperature	7.0mm	66°	-8%	+3%	-5%			
			Optical Construction	Barrel Material	Weight	TITLE				DATE			
			6G	AL6061	5g	6mm M12 Lens				9/17/2024			
<b>Commonlands LLC</b> San Diego, CA +1 (858) 333-7325, engineering@commonlands.com					PART NUMBER			SHEET 1 OF 1		REV			
					CIL061-F1.9-M12BNIR			DO NOT SCALE		3			