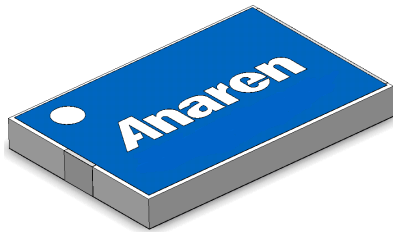


**Surface Mount Termination**  
**200 Watts, 50Ω**



**Description:**

The C200N50Z4 is high performance Aluminum Nitride (AlN) surface mount termination intended as a cost competitive alternative to Beryllium Oxide (BeO). The termination is well suited to all cellular frequency bands such as; AMPS, GSM, DCS, PCS, PHS and UMTS. The high power handling makes the part ideal for terminating high power 90 degree couplers and for use in microstrip circuits. The termination is also RoHS compliant!

**Features:**

- RoHS Compliant
- 200 Watts
- DC - 2.2 GHz
- AlN Ceramic
- Non-Nichrome Resistive Element
- Low VSWR
- 100% Tested
- Small Size

**General Specifications:**

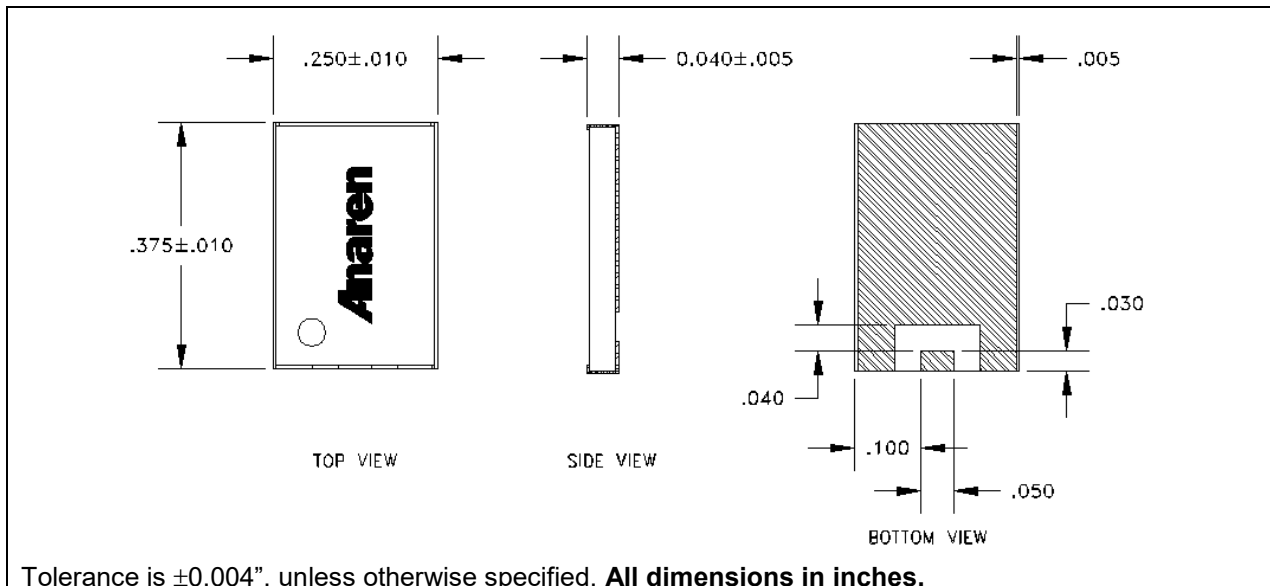
<b>Resistive Element</b>	Thick film
<b>Substrate</b>	AlN Ceramic
<b>Terminal Finish</b>	Matte Tin over Nickel Barrier
<b>Operating Temperature</b>	-50 to +200°C (see de rating chart)

**Electrical Specifications:**

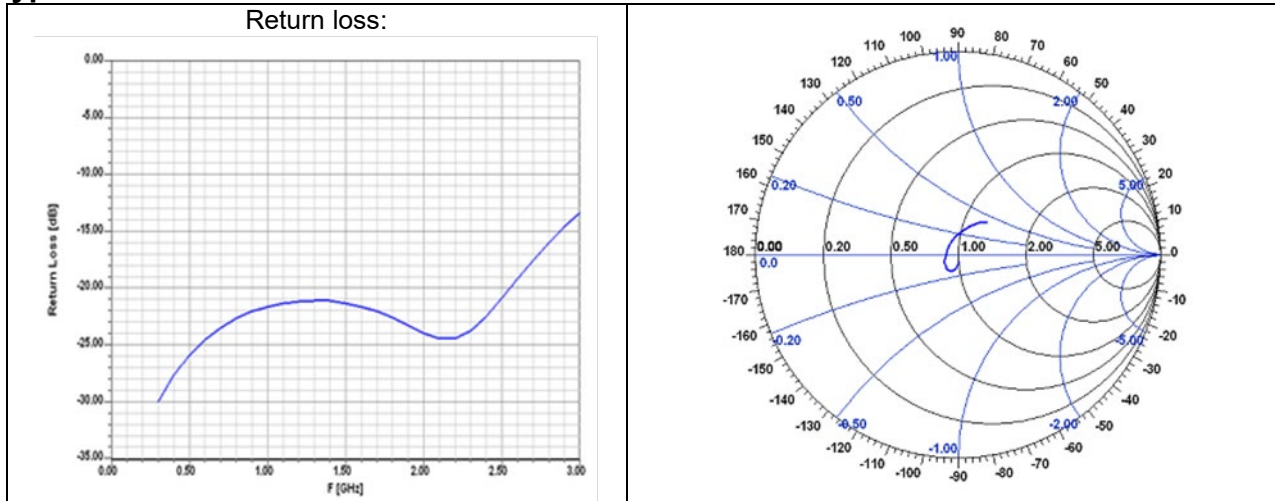
<b>Resistance Value:</b>	50 Ohms, ± 2%
<b>Power:</b>	200 Watts
<b>Frequency Range:</b>	DC – 2.2 GHz
<b>Return Loss</b>	>20 dB to 2.2 GHz

Specification based on unit properly installed using suggested mounting instructions and a 50 ohm nominal impedance. **Specifications subject to change.**

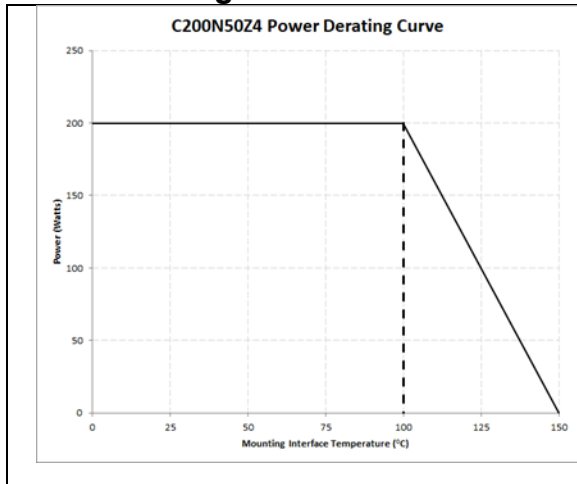
**Outline Drawing:**



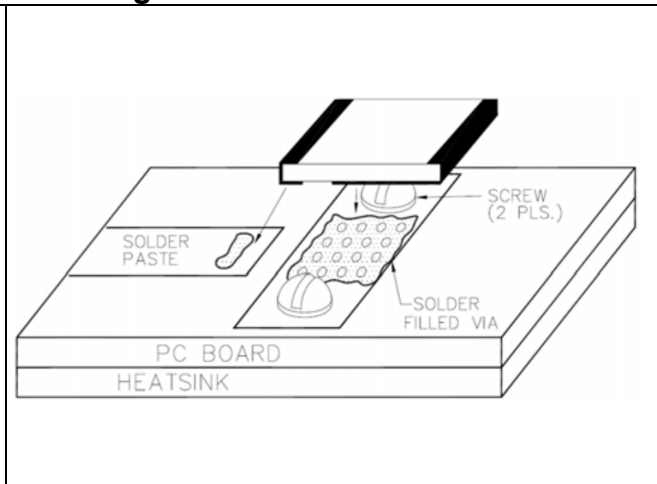
**Typical Performance:**



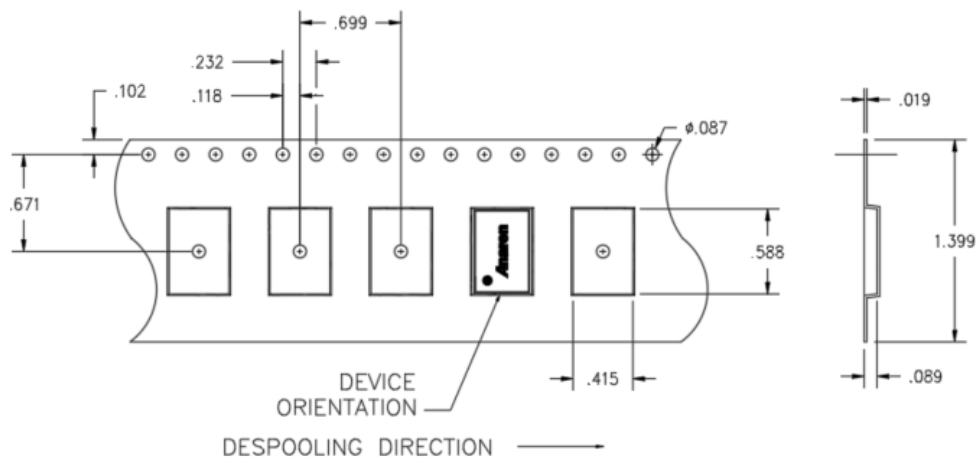
**Power de-rating:**



**Mounting Procedure**



**Tape & Reel**



Contact us:  
[rf&s\\_support@ttm.com](mailto:rf&s_support@ttm.com)