

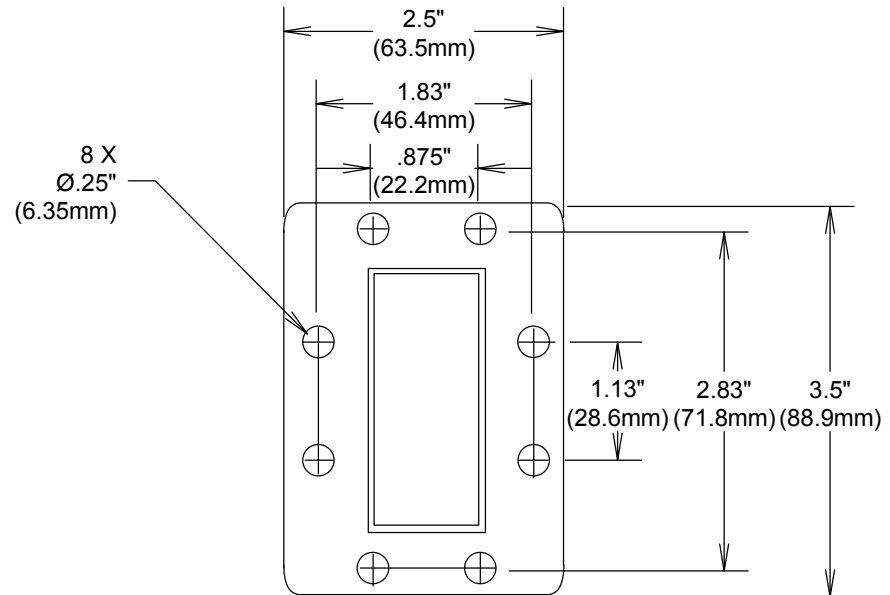
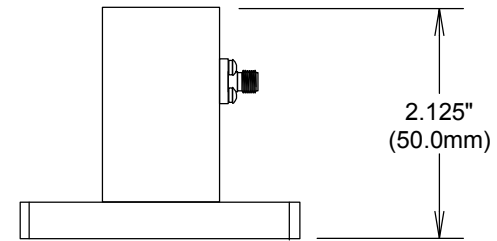
WR159 to SMA-F WAVEGUIDE TO COAXIAL ADAPTER

SMW187AC

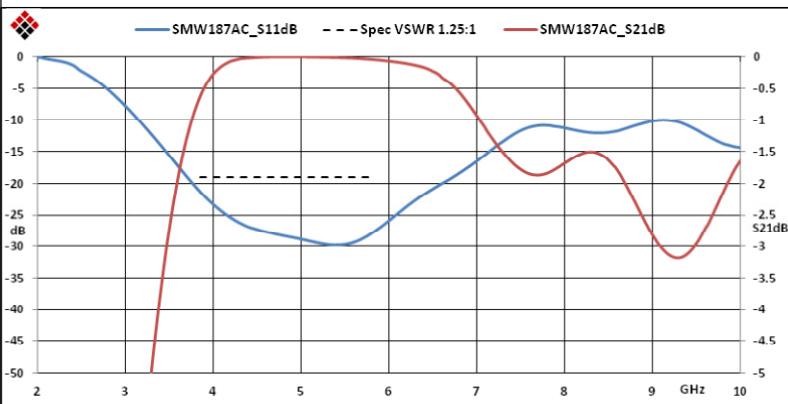
SPECIFICATIONS

FREQUENCY: 3.85-5.85 GHz
 VSWR: 1.25:1 MAX
 MATERIAL BODY: AI
 MATERIAL CONNECTOR:
 BODY: PASS STAINLESS STEEL
 CONTACTS: BeCu Au PLATED 30μ-in
 CONN INTERFACE: MIL-STD-883

ROHS COMPLIANT



MEASUREMENTS BELOW ARE TYPICAL



ALL DIMENSIONS IN inches(MM) Typical

FAIRVIEW MICROWAVE INC.

ALLEN, TX 75013 WWW.FAIRVIEWMICROWAVE.COM

TITLE

WR187 to SMA-F WAVEGUIDE TO COAXIAL ADAPTER

SIZE

A

CAGE CODE

3FKR5

DWG NO

SMW187AC

REV

A

SCALE

SHEET