



2.4mm Female Field Replaceable Connector 2 Hole Flange  
Mount with EMI gasket, accepts 0.51mm (.020inch) pin

RF Connectors  
Technical Data Sheet

PE45728

**Configuration**

- 2.4mm Female Connector
- 50 Ohms
- Straight Body Geometry
- Connector Interface Types: with EMI gasket, accepts 0.51mm (.020inch) pin
- 2 Hole Flange

**Features**

- Max. Operating Frequency 50 GHz
- Excellent VSWR of 1.2:1
- Gold Plated Beryllium Copper Contact

**Applications**

- General Purpose Test
- Rack and Panel Mount Applications

**Description**

Pasternack's PE45728 2.4mm female 2 hole flange mount field replaceable connector with EMI gasket is part of our full line of RF components available for same-day shipping. Our 2.4mm female connector operates up to a maximum frequency of 50 GHz and offers excellent VSWR of 1.2:1. This 2.4mm 2 hole flange connector allows designers to create external connections on their product enclosures, and can be used in a variety of other rack mount and panel mount applications. This field replaceable connector is easy to install or replace in the field.

Our 2.4mm female 2 hole flange connector PE45728 datasheet specifications and drawing with dimensions are shown below in this PDF. Pasternack's broad catalog of RF, microwave and millimeter wave connectors allows designers to configure and customize their signal connections however they like. Whether the need is to provide an I/O for a board design, or simply create a custom cable assembly configuration, Pasternack has the right connector for the job. Pasternack can also expertly build your custom cable assemblies for you and ship same-day.

**Electrical Specifications**

| Description     | Minimum | Typical | Maximum | Units |
|-----------------|---------|---------|---------|-------|
| Frequency Range | DC      |         | 50      | GHz   |
| VSWR            |         |         | 1.2:1   |       |

**Mechanical Specifications**

|             |                     |
|-------------|---------------------|
| <b>Size</b> |                     |
| Length      | 0.427 in [10.85 mm] |
| Width/Dia.  | 0.19 in [4.83 mm]   |
| Height      | 0.5 in [12.7 mm]    |
| Weight      | 0.1 lbs [45.36 g]   |

Click the following link (or enter part number in "SEARCH" on website) to obtain additional part information including price, inventory and certifications: [2.4mm Female Field Replaceable Connector 2 Hole Flange Mount with EMI gasket, accepts 0.51mm \(.020inch\) pin PE45728](#)



2.4mm Female Field Replaceable Connector 2 Hole Flange Mount with EMI gasket, accepts 0.51mm (.020inch) pin

RF Connectors  
Technical Data Sheet

PE45728

**Material Specifications**

| Description    | Material                   | Plating |
|----------------|----------------------------|---------|
| Contact        | Beryllium Copper           | Gold    |
| Contact Spring | Passivated Stainless Steel |         |
| Insulation     | PEI                        |         |
| Body           | Passivated Stainless Steel |         |
| Gasket         | Silicone                   |         |

**Environmental Specifications**

**Temperature**

Operating Range -40 to +150 deg C

**Compliance Certifications** (see [product page](#) for current document)

**Plotted and Other Data**

Notes:

2.4mm Female Field Replaceable Connector 2 Hole Flange Mount with EMI gasket, accepts 0.51mm (.020inch) pin from Pasternack Enterprises has same day shipment for domestic and International orders. Our RF, microwave and millimeter wave products maintain a 99.4% availability and are part of the broadest selection in the industry.

Click the following link (or enter part number in "SEARCH" on website) to obtain additional part information including price, inventory and certifications: [2.4mm Female Field Replaceable Connector 2 Hole Flange Mount with EMI gasket, accepts 0.51mm \(.020inch\) pin PE45728](#)

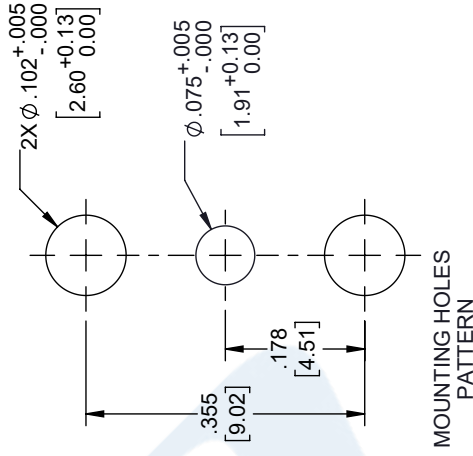
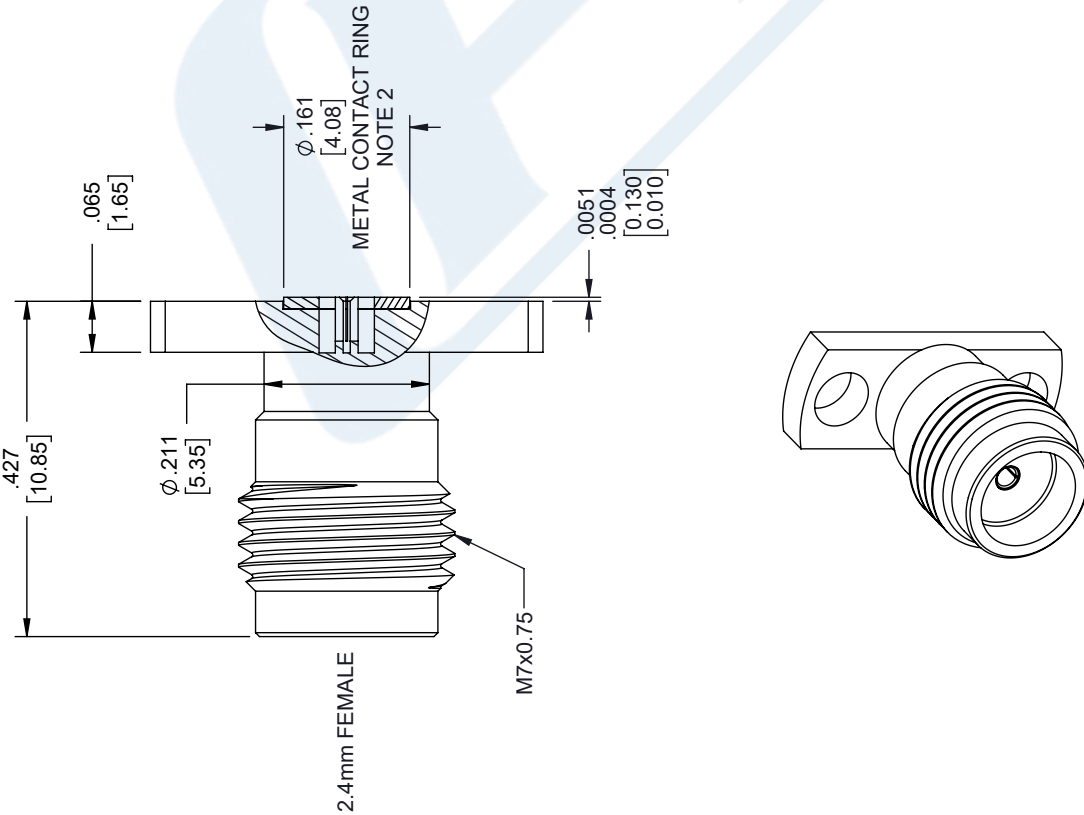
URL: <https://www.pasternack.com/24mm-female-with-emi-gasket-accepts-051mm-020inch-pin-connector-pe45728-p.aspx>

The information contained in this document is accurate to the best of our knowledge and representative of the part described herein. It may be necessary to make modifications to the part and/or the documentation of the part, in order to implement improvements. Pasternack reserves the right to make such changes as required. Unless otherwise stated, all specifications are nominal. Pasternack does not make any representation or warranty regarding the suitability of the part described herein for any particular purpose, and Pasternack does not assume any liability arising out of the use of any part or documentation.

# PE45728 CAD Drawing

2.4mm Female Field Replaceable Connector 2 Hole Flange  
Mount with EMI gasket, accepts 0.51mm (.020inch) pin

| REVISIONS |                 |            |          |
|-----------|-----------------|------------|----------|
| REV.      | DESCRIPTION     | DATE       | APPROVED |
| A         | INITIAL RELEASE | 11/11/2021 | SRAUTUS  |



UNLESS OTHERWISE SPECIFIED LEADING DIMENSIONS ARE INCHES DIMENSIONS IN [ ] ARE MILLIMETERS

TOLERANCES:

.X = ±.2 [5.08] FRACTIONS ±1/32

.XX = ±.02 [ .51] ANGLES ± 1°

.XXX = ±.005 [ .13] CABLE LENGTH (L), TOLERANCES:

L ≤ 12 [305] = +1 [25] / -0

12 [305] < L ≤ 60 [1524] = +2 [51] / -0

60 [1524] < L ≤ 120 [3048] = +4 [102] / -0

120 [3048] < L ≤ 300 [7620] = +6 [152] / -0

300 [7620] < L = +5% / -0

ALL DIMENSIONS SHOWN ARE FOR REFERENCE ONLY.

**PE PASTERNAK**  
an INFINITI brand

Pasternack Enterprises, Inc.  
P. O. Box 16759, Irvine, CA 92623.  
Phone: 1.949.261.1920 | 1.866.727.8376  
Fax: 1.949.261.7451  
Website: www.pasternack.com  
E-mail: sales@pasternack.com

THIRD-ANGLE PROJECTION

THE INFORMATION AND DESIGN IN THIS DOCUMENT IS THE PROPERTY OF PASTERNAK CORPORATION ALL RIGHTS RESERVED.

SHEET 1 OF 1

SCALE N/A

REV A

ITEM NO. PE45728

DRAWN BY MVEERAPPAN

SIZE A

CAGE CODE 53919

- NOTES:
1. FEMALE CONTACT ACCEPTS PIN SIZE  $\phi$ .020 [0.51]  $\nabla$ .071 [1.80] MAX.
  2. SEPARATE METAL CONTACT RING (PASSIVATED).
- THESE COMMODITIES, TECHNOLOGY OR SOFTWARE WERE EXPORTED FROM THE UNITED STATES IN ACCORDANCE WITH THE EXPORT ADMINISTRATION REGULATIONS. DIVERSION CONTRARY TO U.S. LAW PROHIBITED.