



Sensors > Position Sensors > LVDT Sensors > MINIATURE LIGHTWEIGHT LVDT



Linearity Error (Full Range):  $\pm 0.25\%$

Case Material: **Stainless Steel**

Product Shape: **Cylindrical**

Supply Voltage Range: **3 V**

Operating Temperature Range: **-55 – 150 °C [ -67 – 302 °F ]**

**All MINIATURE LIGHTWEIGHT LVDT (0)**

**Features**

**Product Type Features**

Product Shape	Cylindrical
---------------	-------------

**Configuration Features**

Electrical Connection	Leads
-----------------------	-------

**Electrical Characteristics**

Supply Voltage Range	3 V
----------------------	-----

**Signal Characteristics**

Excitation Frequency	2 – 20 kHz
----------------------	------------

**Body Features**

Case Material	Stainless Steel
---------------	-----------------

Core Configuration	Separate Core
--------------------	---------------

**Dimensions**

Product Diameter	9.52 mm [.375 in]
------------------	-------------------

**Usage Conditions**

Operating Temperature Range	-55 – 150 °C [ -67 – 302 °F ]
-----------------------------	-------------------------------

**Industry Standards**

--	--

IP Rating	IP61
-----------	------

### Other

Linearity Error (Full Range)	±.25 %
------------------------------	--------

## Product Compliance

[For compliance documentation, visit the product page on TE.com>](#)

EU RoHS Directive 2011/65/EU	Compliant
------------------------------	-----------

EU ELV Directive 2000/53/EC	Out of Scope
-----------------------------	--------------

China RoHS 2 Directive MIIT Order No 32, 2016	No Restricted Materials Above Threshold
---	---

EU REACH Regulation (EC) No. 1907/2006	Current ECHA Candidate List: JAN 2025 (247) Candidate List Declared Against: JUNE 2023 (235) Does not contain REACH SVHC
--	--

Halogen Content	Not Yet Reviewed for halogen content
-----------------	--------------------------------------

Solder Process Capability	Not reviewed for solder process capability
---------------------------	--

### Product Compliance Disclaimer

This information is provided based on reasonable inquiry of our suppliers and represents our current actual knowledge based on the information they provided. This information is subject to change. The part numbers that TE has identified as EU RoHS compliant have a maximum concentration of 0.1% by weight in homogenous materials for lead, hexavalent chromium, mercury, PBB, PBDE, DBP, BBP, DEHP, DIBP, and 0.01% for cadmium, or qualify for an exemption to these limits as defined in the Annexes of Directive 2011/65/EU (RoHS2). Finished electrical and electronic equipment products will be CE marked as required by Directive 2011/65/EU. Components may not be CE marked. Additionally, the part numbers that TE has identified as EU ELV compliant have a maximum concentration of 0.1% by weight in homogenous materials for lead, hexavalent chromium, and mercury, and 0.01% for cadmium, or qualify for an exemption to these limits as defined in the Annexes of Directive 2000/53/EC (ELV). Regarding the REACH Regulations, TE's information on SVHC in articles for this part number is still based on the European Chemical Agency (ECHA) 'Guidance on requirements for substances in articles' (Version: 2, April 2011), applying the 0.1% weight on weight concentration threshold at the finished product level. TE is aware of the European Court of Justice ruling of September 10th, 2015 also known as O5A (Once An Article Always An Article) stating that, in case of 'complex object', the threshold for a SVHC must be applied to both the product as a whole and simultaneously to each of the articles forming part of its composition. TE has evaluated this ruling based on the new ECHA "Guidance on requirements for substances in articles" (June 2017, version 4.0) and will be updating its statements accordingly.

## Compatible Parts



## Also in the Series | MEAS MHR



LVDT Sensors(36)


## Customers Also Bought



TE Part #5-2176455-0  
CPF 0402 357K 0.1% 25ppm 1K RL




TE Part #858857-1  
LGH-1/2L FLANGED RECEPT.




TE Part #53983-1  
TERMINAL,PIDG PVF2 R 16-14HD



TE Part #02350531-000  
GA-HD PCA-116-100 ASSY



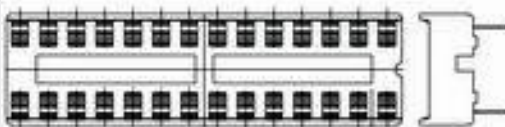
TE Part #CAT-AS22759-32  
SAE AS22759: 32/33/44/45/46 - Single-Wall, Lightweight Wire



TE Part #1-104480-5  
SHORT POINT RCP CONT LP



TE Part #2-1419106-4  
27E892=SOCKET,KRPA,11,OCTAL, DINRAIL



TE Part #1-2199298-2  
8P,DIP SKT,300 CL,LDR,PB FREE



TE Part #1-1546306-2  
12P.374" DR BARRIER STRIP

## Documents

[Datasheets & Catalog Pages](#)

[Miniature General Purpose AC LVDT](#)

English