



Connectors > Connector Accessories > Connector Caps & Covers



Connector Cover Type: **Closure Cap**

Primary Product Color: **Black**

Features

Product Type Features

Connector Cover Type	Closure Cap
----------------------	-------------

Body Features

Primary Product Color	Black
-----------------------	-------

Housing Features

Compatible With Connector Shape	Circular
---------------------------------	----------

Packaging Features

Packaging Method	Package
Packaging Quantity	1

Product Compliance

[For compliance documentation, visit the product page on TE.com>](#)

EU RoHS Directive 2011/65/EU	Compliant
EU ELV Directive 2000/53/EC	Compliant
China RoHS 2 Directive MIIT Order No 32, 2016	No Restricted Materials Above Threshold
EU REACH Regulation (EC) No. 1907/2006	Current ECHA Candidate List: JAN 2025 (247) Candidate List Declared Against: JUNE 2022 (224) Does not contain REACH SVHC

Halogen Content

Not Yet Reviewed for halogen content

Solder Process Capability

Not applicable for solder process capability

Product Compliance Disclaimer

This information is provided based on reasonable inquiry of our suppliers and represents our current actual knowledge based on the information they provided. This information is subject to change. The part numbers that TE has identified as EU RoHS compliant have a maximum concentration of 0.1% by weight in homogenous materials for lead, hexavalent chromium, mercury, PBB, PBDE, DBP, BBP, DEHP, DIBP, and 0.01% for cadmium, or qualify for an exemption to these limits as defined in the Annexes of Directive 2011/65/EU (RoHS2). Finished electrical and electronic equipment products will be CE marked as required by Directive 2011/65/EU. Components may not be CE marked. Additionally, the part numbers that TE has identified as EU ELV compliant have a maximum concentration of 0.1% by weight in homogenous materials for lead, hexavalent chromium, and mercury, and 0.01% for cadmium, or qualify for an exemption to these limits as defined in the Annexes of Directive 2000/53/EC (ELV). Regarding the REACH Regulation, the information TE provides on SVHC in articles for this part number is based on the latest European Chemicals Agency (ECHA) 'Guidance on requirements for substances in articles' posted at this URL: <https://echa.europa.eu/guidance-documents/guidance-on-reach>

Compatible Parts



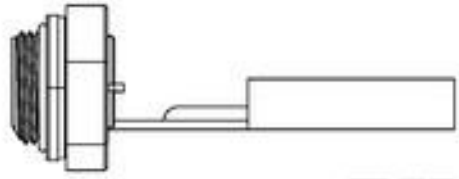
TE Part # 1546414-4
ETHRNT RJ-45 BLKHD PASSTHRU12"



TE Part # 1546574-1
RJ-LNXX FE TO FE ADAPTOR



TE Part # 1546413-3
ETHERNET RJ-45 BLKHD PASSTHRU



TE Part # 1-1546410-1
ETHERNET RCPT W/PC BRD & CBL



TE Part # 1-1546412-1
ETHERNET RCPT W/PC BRD & CBL



TE Part # 1-1546415-1
ETHERNET RJ-11 BLKHD PASSTHRU



TE Part # 1-1546405-1
ETHERNET DIRECT PCB MNT RCPT



TE Part # 1-1546409-1
ETHERNET RECEPTCL W/PC BOARD

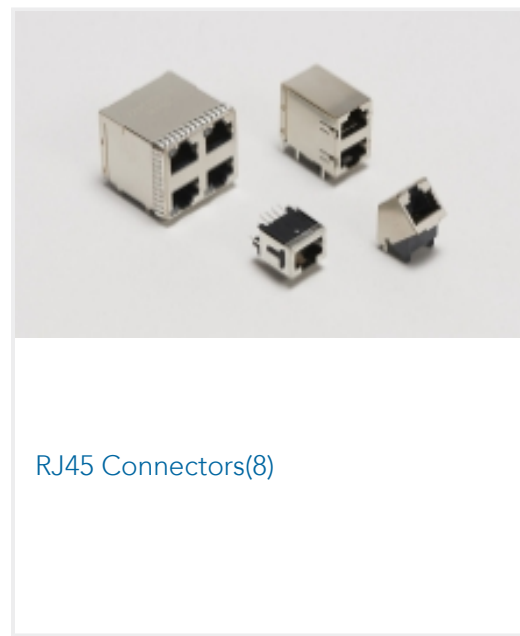
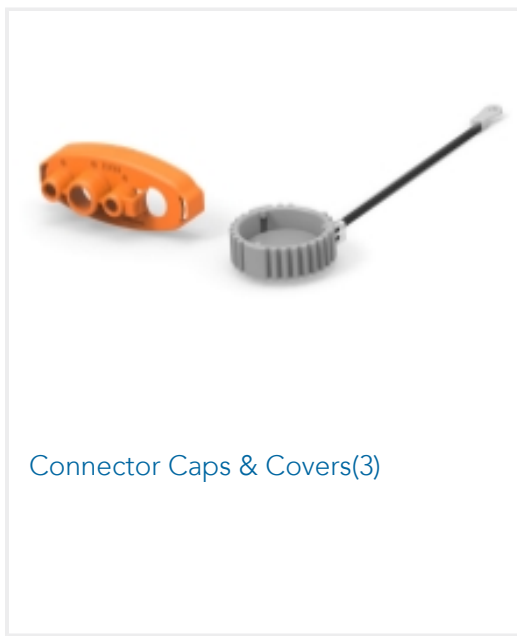


TE Part # 1546641-1
THRD THRU PNL INTRCNCT,M40,IE

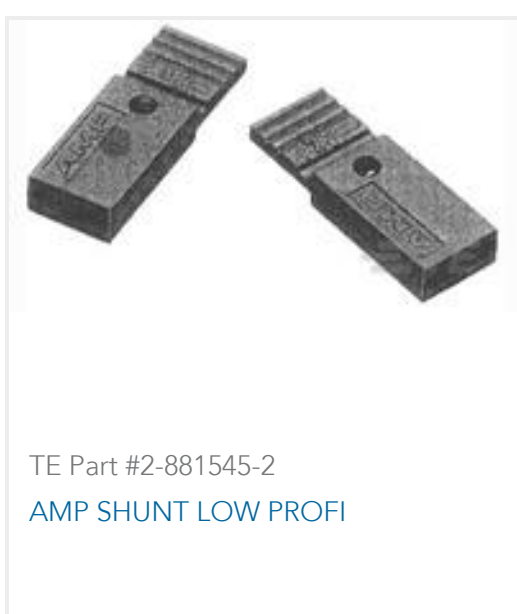
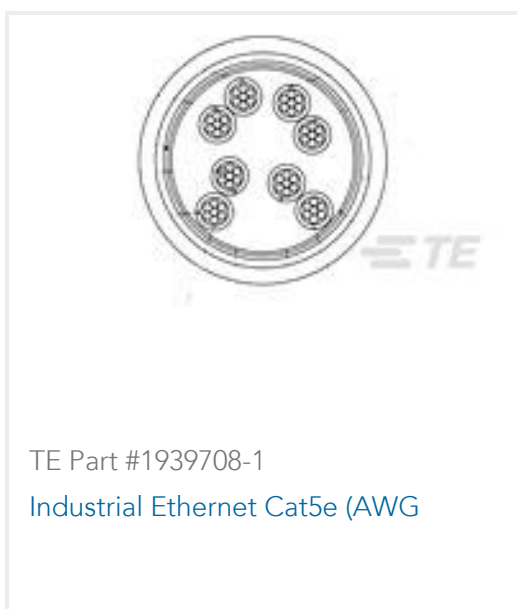
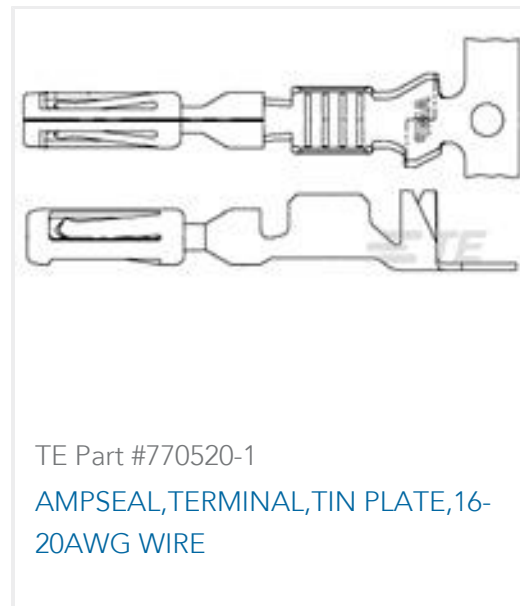


TE Part # 1-1546411-1
ETHERNET RCPT W/PC BRD & CBL

Also in the Series | [Industrial RJ45 Variant 3](#)



Customers Also Bought



Documents

Product Drawings

[ETHERNET CLOSURE CAP IP65,W/O LANYARD](#)

English

CAD Files

[3D PDF](#)

[3D](#)

[Customer View Model](#)

[ENG_CVM_CVM_1-1546407-1_B.2d_dxf.zip](#)



English

Customer View Model

[ENG_CVM_CVM_1-1546407-1_B.3d_igs.zip](#)

English

Customer View Model

[ENG_CVM_CVM_1-1546407-1_B.3d_stp.zip](#)

English

By downloading the CAD file I accept and agree to the [Terms and Conditions](#) of use.

Datasheets & Catalog Pages

[INDUSTRIAL_ETHERNET_PRODUCTS](#)

English