

103682-4 ✓ ACTIVE

AMPMODU | AMPMODU MTE

TE Internal #: 103682-4

Panel Mount Shroud, Black, Thermoplastic, 5 Position, AMPMODU MTE

[View on TE.com >](#)



Connectors > Connector Accessories > Connector Caps & Covers



Connector Cover Type: **Panel Mount Shroud**

Primary Product Color: **Black**

Primary Product Material: **Thermoplastic**

Number of Positions: **5**

Operating Temperature (Max): **105 °C [ 221 °F ]**

## Features

### Product Type Features

Connector Cover Type	Panel Mount Shroud
----------------------	--------------------

### Configuration Features

Number of Rows	1
Number of Positions	5

### Body Features

Primary Product Color	Black
Primary Product Material	Thermoplastic

### Mechanical Attachment

Mating Alignment Type	Latched
Mating Alignment	With

### Dimensions

Product Width	25.15 mm[.99 in]
Product Length	26.29 mm[1.035 in]
Product Height	6.35 mm[.25 in]

### Usage Conditions

Operating Temperature (Max)	105 °C[221 °F]
Operating Temperature Range	-65 – 105 °C[-85 – 221 °F]

### Industry Standards

UL Flammability Rating	UL 94V-0
------------------------	----------

### Packaging Features

Packaging Method	Package
------------------	---------

### Product Compliance

[For compliance documentation, visit the product page on TE.com>](#)

EU RoHS Directive 2011/65/EU	Compliant
EU ELV Directive 2000/53/EC	Compliant
China RoHS 2 Directive MIIT Order No 32, 2016	No Restricted Materials Above Threshold
EU REACH Regulation (EC) No. 1907/2006	Current ECHA Candidate List: JAN 2025 (247) Candidate List Declared Against: JAN 2025 (247) Does not contain REACH SVHC
Halogen Content	BFR/CFR/PVC Free, but Br/Cl >900 ppm in other sources.
Solder Process Capability	Not applicable for solder process capability

#### Product Compliance Disclaimer

This information is provided based on reasonable inquiry of our suppliers and represents our current actual knowledge based on the information they provided. This information is subject to change. The part numbers that TE has identified as EU RoHS compliant have a maximum concentration of 0.1% by weight in homogenous materials for lead, hexavalent chromium, mercury, PBB, PBDE, DBP, BBP, DEHP, DIBP, and 0.01% for cadmium, or qualify for an exemption to these limits as defined in the Annexes of Directive 2011/65/EU (RoHS2). Finished electrical and electronic equipment products will be CE marked as required by Directive 2011/65/EU. Components may not be CE marked. Additionally, the part numbers that TE has identified as EU ELV compliant have a maximum concentration of 0.1% by weight in homogenous materials for lead, hexavalent chromium, and mercury, and 0.01% for cadmium, or qualify for an exemption to these limits as defined in the Annexes of Directive 2000/53/EC (ELV). Regarding the REACH Regulation, the information TE provides on SVHC in articles for this part number is based on the latest European Chemicals Agency (ECHA) 'Guidance on requirements for substances in articles' posted at this URL: <https://echa.europa.eu/guidance-documents/guidance-on-reach>

### Compatible Parts

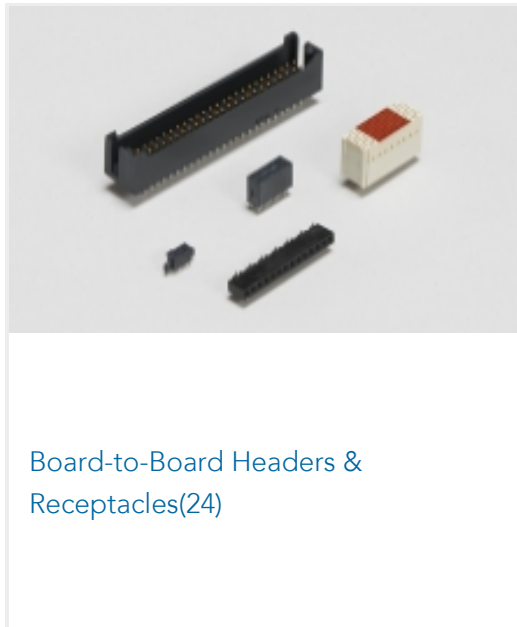


TE Part # 103648-4  
05 MTE RCPT HSG SR RIB .100CL

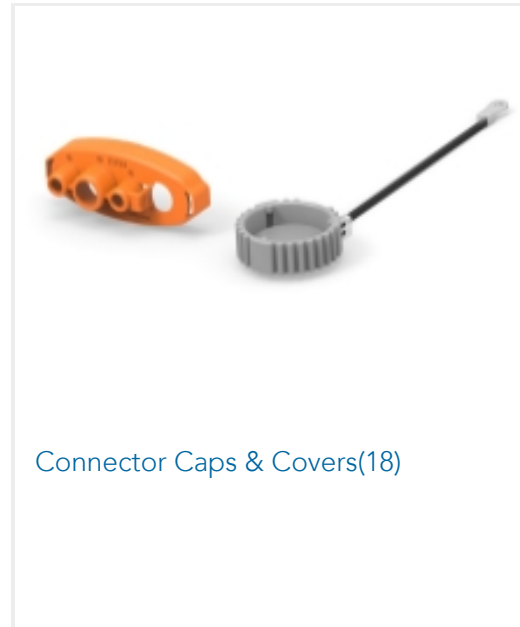


TE Part # 104503-4  
05 MTE PIN HSG SR RIB .100CL

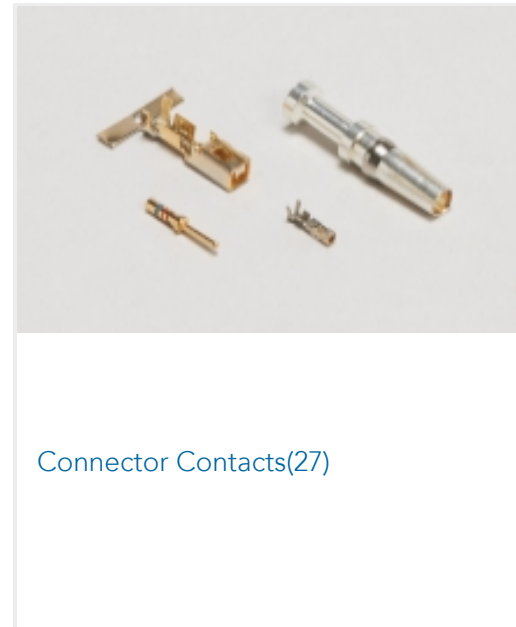
Also in the Series | **AMPMODU MTE**



Board-to-Board Headers & Receptacles(24)



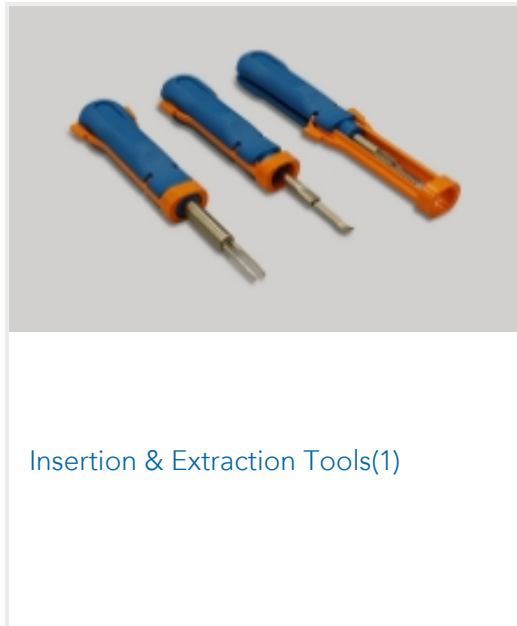
Connector Caps & Covers(18)



Connector Contacts(27)



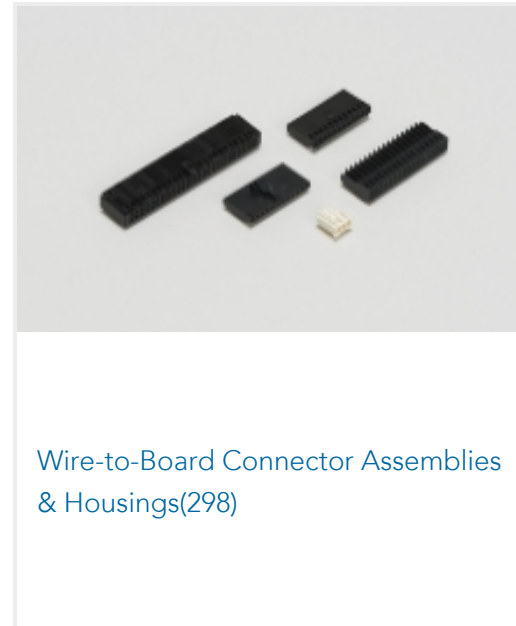
Connector Hardware(1)



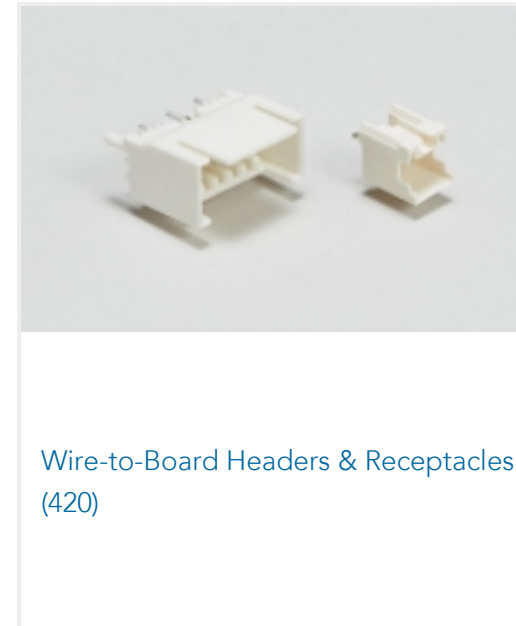
Insertion & Extraction Tools(1)



PCB Headers & Receptacles(444)



Wire-to-Board Connector Assemblies & Housings(298)

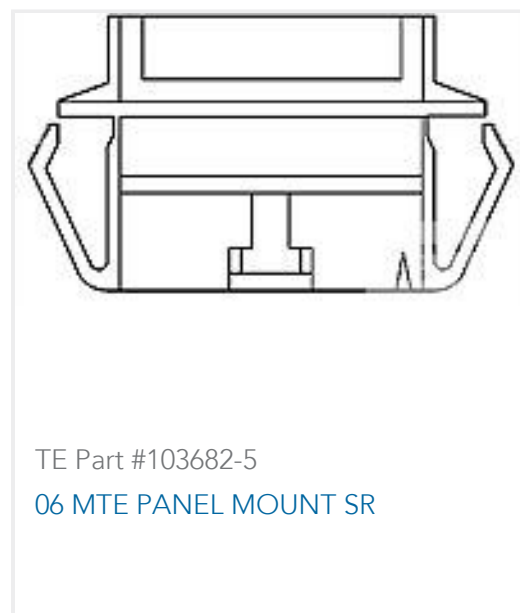


Wire-to-Board Headers & Receptacles (420)

Customers Also Bought



TE Part #104257-8  
09 MTE RCPT HSG SR LATCH .100



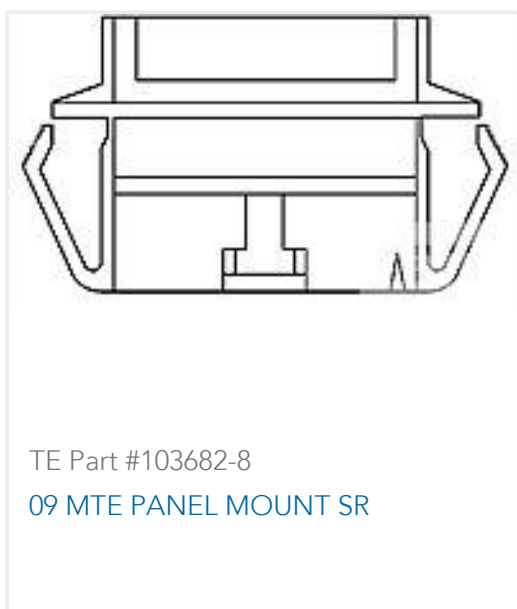
TE Part #103682-5  
06 MTE PANEL MOUNT SR



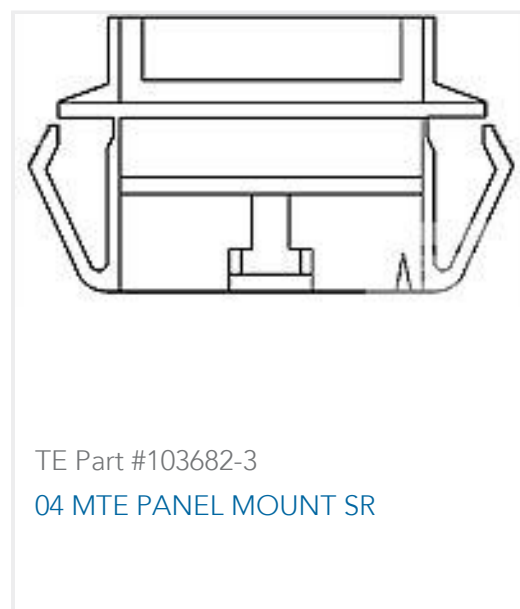
TE Part #324061  
TERMINAL,SOLIS R 8 8



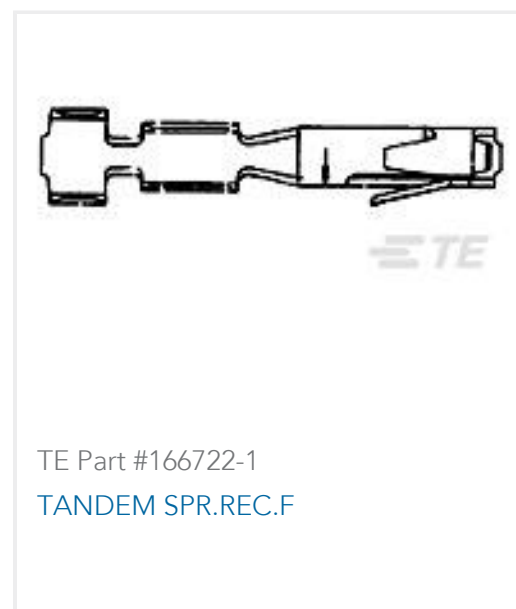
TE Part #103653-1  
02 MTE SHRD PIN HSG SR LATCH



TE Part #103682-8  
09 MTE PANEL MOUNT SR



TE Part #103682-3  
04 MTE PANEL MOUNT SR



TE Part #166722-1  
TANDEM SPR.REC.F



TE Part #1478769-3  
ANTI-VIB NYLON GLD 20MM BLK



## Documents

### Product Drawings

#### 05 MTE PANEL MOUNT SR

English

### CAD Files

#### Customer View Model

##### ENG\_CVM\_CVM\_103682-4\_N.2d\_dxf.zip

English

#### 3D PDF

3D

#### Customer View Model

##### ENG\_CVM\_CVM\_103682-4\_N.3d\_igs.zip

English

#### Customer View Model

##### ENG\_CVM\_CVM\_103682-4\_N.3d\_stp.zip

English

By downloading the CAD file I accept and agree to the [Terms and Conditions](#) of use.

### Datasheets & Catalog Pages

#### AMP MODU MTE Section of Catalog 1307819

English

#### AMPMODU\_INTERCONNECTION\_SYSTEM\_SECTION5\_CONT

English

#### AMPMODU MTE INTERCONNECT SYSTEM

English

### Product Specifications

#### Application Specification

English

### Instruction Sheets

#### Instruction Sheet (U.S.)

English