

1376109-1 ✓ ACTIVE

AMP | 0.64/025 Connector System

TE Internal #: 1376109-1

Tab Terminal, 24 – 20 AWG, .22 – .56 mm² Wire, .64 mm [.025 in]

Tab Width, Tin (Sn), .64 mm [.025 in] Tab Thickness, 0.64/025

Connector System

[View on TE.com >](#)



Terminals & Splices > Automotive Terminals > TH/.025 CONNECTOR SYSTEM, RECPT AND TAB



Terminal Type: **Tab**

Wire Size: **24 – 20 AWG**

Mating Tab Width: **.64 mm [.025 in]**

Interface Plating: **Tin (Sn)**

[All TH/.025 CONNECTOR SYSTEM, RECPT AND TAB \(17\)](#)

Features

Product Type Features

Receptacle Style	180°
Primary Locking Feature	Locking Lance
Sealable	No

Contact Features

Typical Current Rating	4 A
Crimp Type	F-Crimp
Contact Size	.64mm
Contact Fabrication	Stamped & Formed
Terminal Type	Tab
Mating Tab Width	.64 mm[.025 in]
Interface Plating	Tin (Sn)
Mating Tab Thickness	.64 mm[.025 in]

Termination Features

Termination Method to Wire & Cable	Crimp
Product Terminates To	Wire

Dimensions

Compatible Insulation Diameter Range	.95 – 1.6 mm[.037 – .067 in]
--------------------------------------	------------------------------



Wire Size	24 – 20 AWG
Wire Size Search	.2 mm ² , .25 mm ² , .3 mm ² , .4 mm ² , .5 mm ²
Tab Length	21.3 mm [.838 in]

Usage Conditions

Insulation Option	Uninsulated
Operating Temperature (Max)	105 °C [221 °F]
Operating Temperature Range	-30 – 105 °C [-22 – 221 °F]

Operation/Application

Compatible With Wire Base Material	Copper
------------------------------------	--------

Packaging Features

Packaging Method	Reel
Packaging Quantity	10000

Other

Terminal Transmits	0 – 24 A (Low Power)
--------------------	----------------------

Product Compliance

[For compliance documentation, visit the product page on TE.com>](#)

EU RoHS Directive 2011/65/EU	Compliant
EU ELV Directive 2000/53/EC	Compliant
China RoHS 2 Directive MIIT Order No 32, 2016	No Restricted Materials Above Threshold
EU REACH Regulation (EC) No. 1907/2006	Current ECHA Candidate List: JAN 2025 (247) Candidate List Declared Against: JAN 2025 (247) Does not contain REACH SVHC
Halogen Content	Low Halogen - Br, Cl, F, I < 900 ppm per homogenous material. Also BFR/CFR/PVC Free
Solder Process Capability	Not applicable for solder process capability

Product Compliance Disclaimer

This information is provided based on reasonable inquiry of our suppliers and represents our current actual knowledge based on the information they provided. This information is subject to change. The part numbers that TE has identified as EU RoHS compliant have a maximum concentration of 0.1% by weight in homogenous materials for lead, hexavalent chromium, mercury, PBB, PBDE, DBP, BBP, DEHP, DIBP, and 0.01% for cadmium, or qualify for an exemption to these limits as defined in the Annexes of Directive 2011/65/EU (RoHS2). Finished electrical and electronic equipment products will be CE marked as required by Directive 2011/65/EU. Components may not be CE marked. Additionally, the part numbers that TE has identified as EU ELV compliant have a maximum concentration of 0.1% by weight in homogenous materials for lead, hexavalent chromium, and mercury, and 0.01% for cadmium, or qualify for an exemption to these limits

as defined in the Annexes of Directive 2000/53/EC (ELV). Regarding the REACH Regulation, the information TE provides on SVHC in articles for this part number is based on the latest European Chemicals Agency (ECHA) 'Guidance on requirements for substances in articles' posted at this URL: <https://echa.europa.eu/guidance-documents/guidance-on-reach>

Compatible Parts



TE Part # 2305570-1
Strip Terminal Cutter-Side Feed-No Crimp



TE Part # 2-1722368-6
ISOLATION CRIMP PLATE



TE Part # 5-2151494-1
OCEAN_2.0_APPLICATOR-S-055F055F-RSM



TE Part # CAT-T319-CH8172
TH/.025 CONNECTOR SYSTEM, HOUSING



TE Part # 2151494-2
OCEAN_2.0_APPLICATOR-S-055F055F-RSA



TE Part # 1366865-1
EXT-TOOL FOR 025 TAB



TE Part # 4-1579008-5
EXTRACTION TOOL



TE Part # 7-2151494-7
OCEAN_2.0_SPARE_PART_KIT-055F055F



TE Part # 7-1579014-2
HT11K HAND TOOL TH 0.25 CONTACTS



TE Part # 7-2836361-7
OC-140F140F-752-CRIMP TOOLING KIT

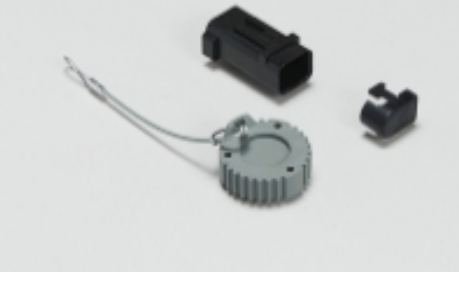


TE Part # 5-2151494-2
OCEAN_2.0_APPLICATOR-S-055F055F-RSA

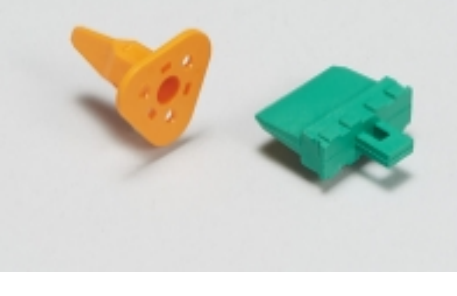


TE Part # 2151494-1
OCEAN_2.0_APPLICATOR-S-055F055F-RSM

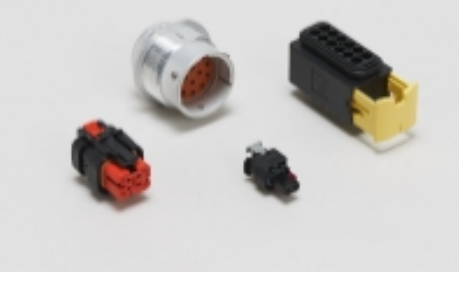
Also in the Series | 0.64/025 Connector System



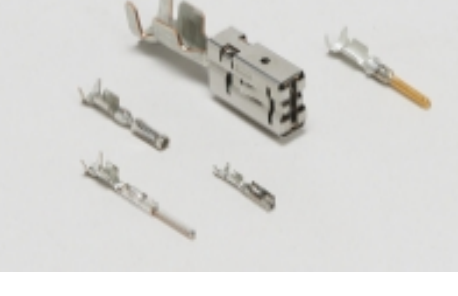
Automotive Connector Caps & Covers (5)



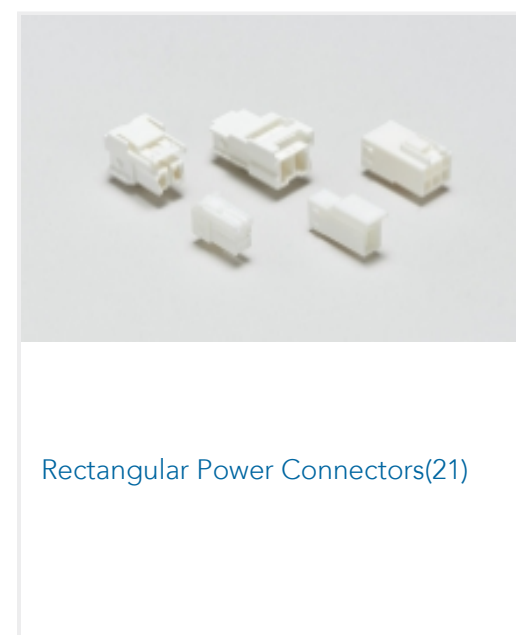
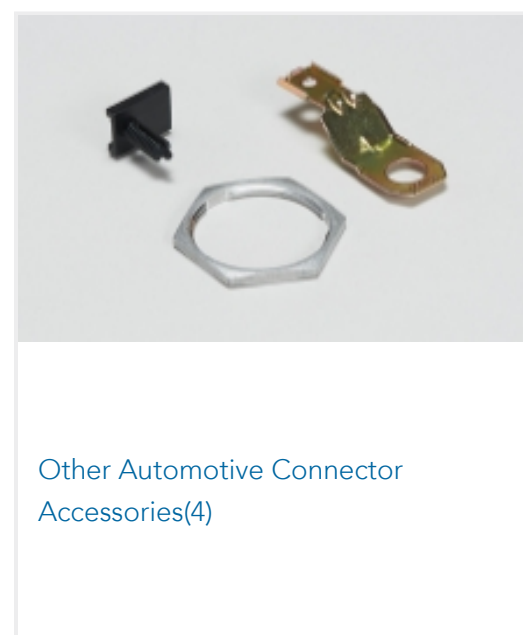
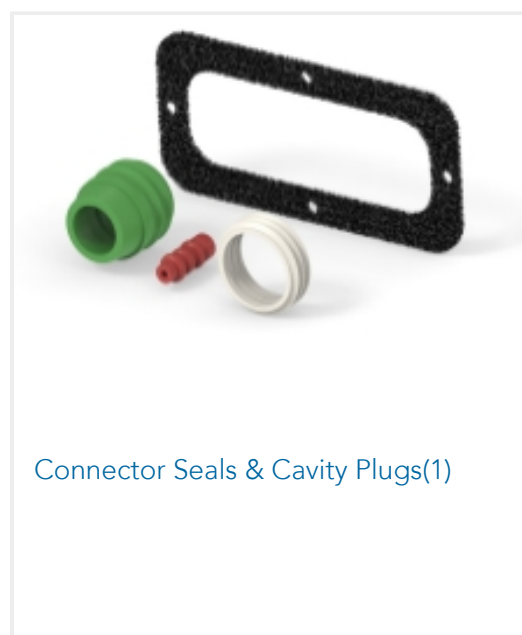
Automotive Connector Locks & Position Assurance(1)



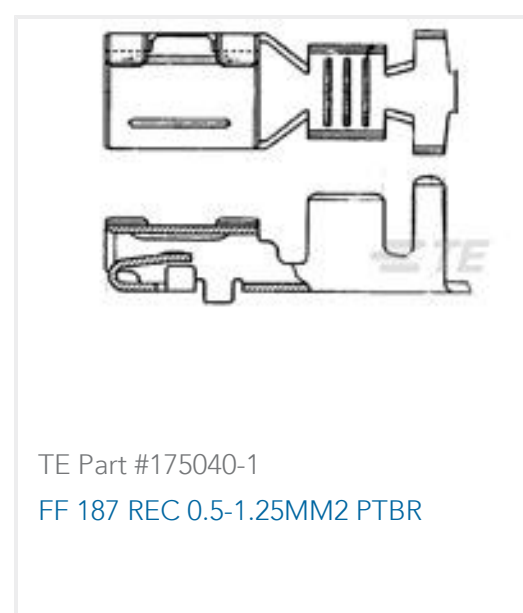
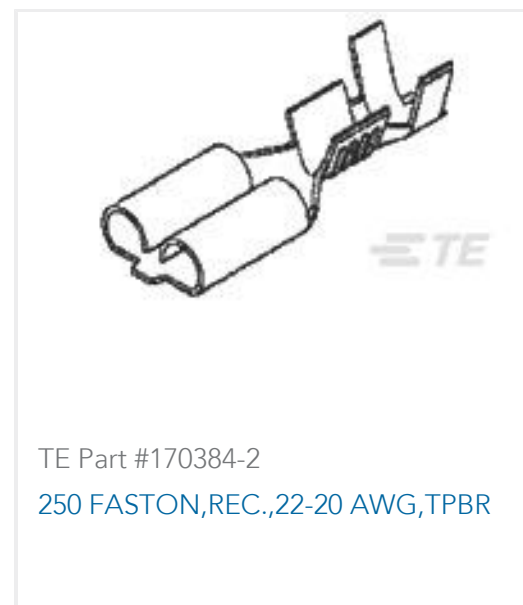
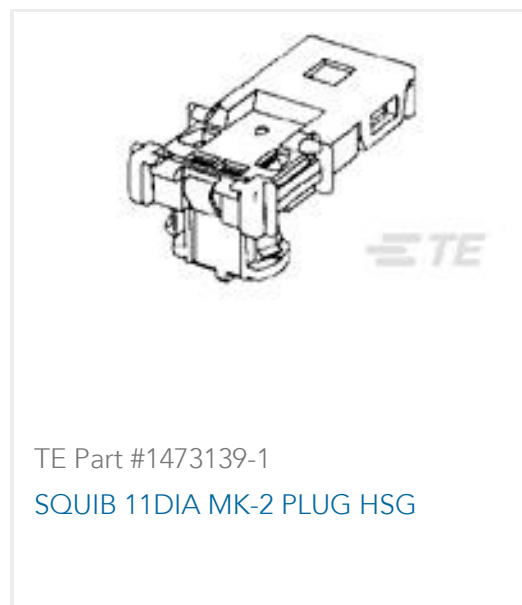
Automotive Housings(117)



Automotive Terminals(17)



Customers Also Bought



Documents

Product Drawings

[025 TAB CONT](#)

Japanese

CAD Files

[3D PDF](#)

3D

Customer View Model

[ENG_CVM_CVM_1376109-1_K.2d_dxf.zip](#)

English

Customer View Model

[ENG_CVM_CVM_1376109-1_K.3d_igs.zip](#)

English

Customer View Model

[ENG_CVM_CVM_1376109-1_K.3d_stp.zip](#)

English

By downloading the CAD file I accept and agree to the [Terms and Conditions](#) of use.



Product Specifications

Application Specification

Japanese

.025 IDC Connectors

Japanese

Application Specification

Japanese

Application Specification

Japanese

Instruction Sheets

Instruction Sheet (non U.S.)

Japanese

025 Wire to Wire Connector

Japanese

Instruction Sheet (non U.S.)

Japanese

025 Wire to Wire Connector

Japanese

025 WIRE TO WIRE MALE CONNECTOR

Japanese

Instruction Sheet (non U.S.)

Japanese

025 WIRE TO WIRE MALE CONNECTOR

Japanese

Instruction Sheet (non U.S.)

Japanese