



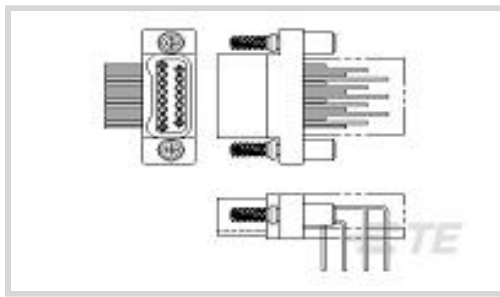
Nanonics

TE Internal #: 1589481-3

15 Position D-Shaped Connector, Plug, Wire-to-Board, Board Mount, 1.27 mm [.05 in] Centerline, Printed Circuit Board, Power

[View on TE.com >](#)

Connectors > D-Shaped Connectors > DUALOBE Plug Connectors: Metal Shell, 15 Pin/2 Row



Number of Positions: 15

Connector & Housing Type: Plug

Connector System: Wire-to-Board

Connector Mounting Type: Board Mount

Centerline (Pitch): 1.27 mm [.05 in]

[All DUALOBE Plug Connectors: Metal Shell, 15 Pin/2 Row \(12\)](#)

Features

Product Type Features

Sealable	No
Connector & Housing Type	Plug
Connector System	Wire-to-Board
Connector & Contact Terminates To	Printed Circuit Board

Configuration Features

Number of Positions	15
---------------------	----

Contact Features

Contact Type	Pin
Contact Current Rating (Max)	1 A
Contact Options	Installed

Termination Features

Termination Method to PCB	Through Hole - Solder
Termination Method to Wire & Cable	Preterminated Flying Leads

Mechanical Attachment

Connector Mounting Type	Board Mount
-------------------------	-------------

Housing Features

Centerline (Pitch)	1.27 mm[.05 in]
--------------------	-----------------



## Usage Conditions

Operating Temperature Range	-200 – 200 °C[-328 – 392 °F]
-----------------------------	------------------------------

## Operation/Application

Circuit Application	Power
---------------------	-------

## Product Compliance

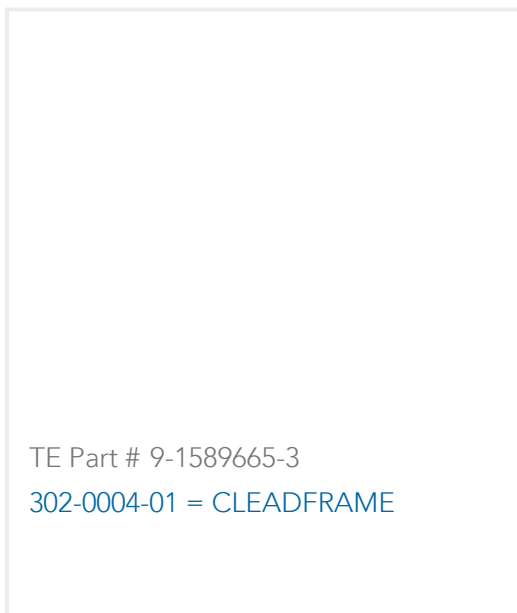
[For compliance documentation, visit the product page on TE.com>](#)

EU RoHS Directive 2011/65/EU	Not Compliant
EU ELV Directive 2000/53/EC	Not Compliant
China RoHS 2 Directive MIIT Order No 32, 2016	Restricted Materials Above Threshold
EU REACH Regulation (EC) No. 1907/2006	Current ECHA Candidate List: JAN 2025 (247) Candidate List Declared Against: JAN 2025 (247) SVHC > Threshold: Pb (40% in 74023047) <b>Article Safe Usage Statements:</b> Do not eat, drink or smoke when using this product. Wash thoroughly after handling. Recycle if possible and dispose of the article by following all applicable governmental regulations relevant to your geographic location.
Halogen Content	Not Yet Reviewed for halogen content
Solder Process Capability	Not lead free process capable

### Product Compliance Disclaimer

This information is provided based on reasonable inquiry of our suppliers and represents our current actual knowledge based on the information they provided. This information is subject to change. The part numbers that TE has identified as EU RoHS compliant have a maximum concentration of 0.1% by weight in homogenous materials for lead, hexavalent chromium, mercury, PBB, PBDE, DBP, BBP, DEHP, DIBP, and 0.01% for cadmium, or qualify for an exemption to these limits as defined in the Annexes of Directive 2011/65/EU (RoHS2). Finished electrical and electronic equipment products will be CE marked as required by Directive 2011/65/EU. Components may not be CE marked. Additionally, the part numbers that TE has identified as EU ELV compliant have a maximum concentration of 0.1% by weight in homogenous materials for lead, hexavalent chromium, and mercury, and 0.01% for cadmium, or qualify for an exemption to these limits as defined in the Annexes of Directive 2000/53/EC (ELV). Regarding the REACH Regulation, the information TE provides on SVHC in articles for this part number is based on the latest European Chemicals Agency (ECHA) 'Guidance on requirements for substances in articles' posted at this URL: <https://echa.europa.eu/guidance-documents/guidance-on-reach>

## Compatible Parts



TE Part # 9-1589665-3  
302-0004-01 = CLEADFRAME

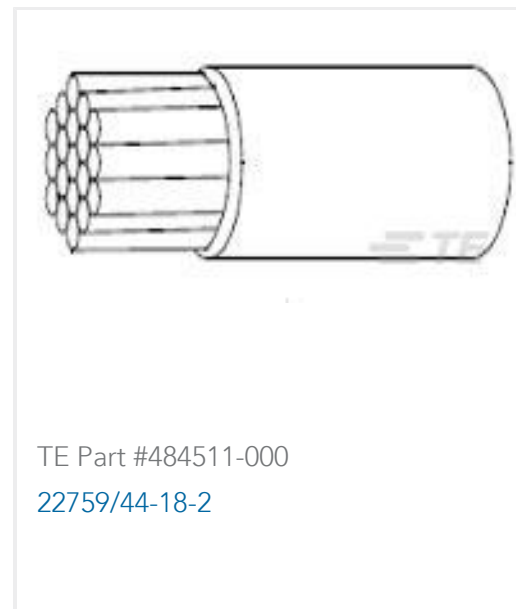
## Customers Also Bought



TE Part #YD369-B99-NP100000  
369 9 WAY PANEL MOUNT REC,  
CRIMP, PIN



TE Part #4-1617118-3  
J1MAP-5XM = M39016/7-014M



TE Part #484511-000  
22759/44-18-2



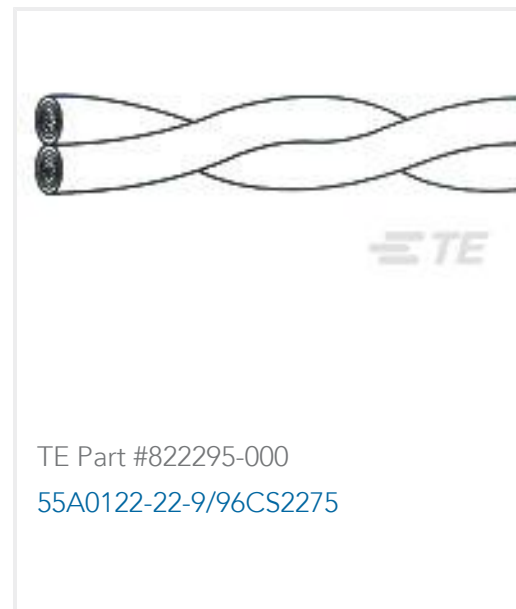
TE Part #2176455-8  
CPF 0402 4R99 0.1% 25ppm 1K RL



TE Part #2-2176304-0  
RP 1E 0.1W 15R8 0.1% 25PPM 5K RL



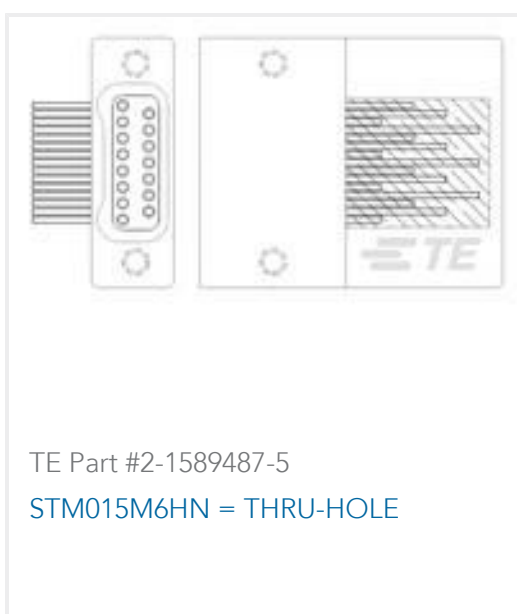
TE Part #9-2176363-2  
RQ 0402 3K83 0.1% 10PPM 5K RL



TE Part #822295-000  
55A0122-22-9/96CS2275



TE Part #1589072-9  
CX050L2HN = COAX



TE Part #2-1589487-5  
STM015M6HN = THRU-HOLE

## Documents

### Product Drawings

[STM015C6N = THRU-HOLE](#)

English

### CAD Files

[3D PDF](#)

[3D](#)

[Customer View Model](#)

[ENG\\_CVM\\_CVM\\_1589481-3\\_U\\_c-1589481-3-u.2d\\_dxf.zip](#)



English

**Customer View Model**

[ENG\\_CVM\\_CVM\\_1589481-3\\_U\\_c-1589481-3-u.3d\\_igs.zip](#)

English

**Customer View Model**

[ENG\\_CVM\\_CVM\\_1589481-3\\_U\\_c-1589481-3-u.3d\\_stp.zip](#)

English

By downloading the CAD file I accept and agree to the [Terms and Conditions](#) of use.

---

### Datasheets & Catalog Pages

[1589481 Nanonics Cross Reference](#)

English