

163007 ✓ ACTIVE

FASTIN-FASTON | FASTIN-FASTON 250

TE Internal #: 163007

Receptacle, Receptacle, 8 Position, Straight, UL 94V-2, Natural, Polyamide, Cable Mount (Free-Hanging), FASTIN-FASTON 250, Crimp Terminal Housings

[View on TE.com >](#)



Terminals & Splices > Terminal Housings, Insulation Sleeves & Blocks > Crimp Terminal Housings



Terminal Type: **Receptacle**

Connector & Housing Type: **Receptacle**

Number of Positions: **8**

Terminal Orientation: **Straight**

UL Flammability Rating: **UL 94V-2**

### Features

#### Product Type Features

Sealable	No
Connector & Housing Type	Receptacle

#### Configuration Features

Number of Positions	8
---------------------	---

#### Body Features

Primary Product Color	Natural
-----------------------	---------

#### Contact Features

Terminal Type	Receptacle
Terminal Orientation	Straight
Contact Mating Retention	Without

#### Mechanical Attachment

Mating Alignment	With
Connector Mounting Type	Cable Mount (Free-Hanging)



### Housing Features

Housing Material	Polyamide
Centerline (Pitch)	9.1 mm[.358 in]

### Dimensions

Product Length	24.1 mm[.95 in]
----------------	-----------------

### Usage Conditions

Operating Temperature Range	-40 – 105 °C[-40 – 221 °F]
-----------------------------	----------------------------

### Industry Standards

UL Flammability Rating	UL 94V-2
------------------------	----------

### Packaging Features

Packaging Quantity	1500
--------------------	------

## Product Compliance

[For compliance documentation, visit the product page on TE.com>](#)

EU RoHS Directive 2011/65/EU	Compliant
EU ELV Directive 2000/53/EC	Compliant
China RoHS 2 Directive MIIT Order No 32, 2016	No Restricted Materials Above Threshold
EU REACH Regulation (EC) No. 1907/2006	Current ECHA Candidate List: JAN 2025 (247) Candidate List Declared Against: JAN 2025 (247) Does not contain REACH SVHC
Halogen Content	Low Halogen - Br, Cl, F, I < 900 ppm per homogenous material. Also BFR/CFR/PVC Free
Solder Process Capability	Not applicable for solder process capability

#### Product Compliance Disclaimer

This information is provided based on reasonable inquiry of our suppliers and represents our current actual knowledge based on the information they provided. This information is subject to change. The part numbers that TE has identified as EU RoHS compliant have a maximum concentration of 0.1% by weight in homogenous materials for lead, hexavalent chromium, mercury, PBB, PBDE, DBP, BBP, DEHP, DIBP, and 0.01% for cadmium, or qualify for an exemption to these limits as defined in the Annexes of Directive 2011/65/EU (RoHS2). Finished electrical and electronic equipment products will be CE marked as required by Directive 2011/65/EU. Components may not be CE marked. Additionally, the part numbers that TE has identified as EU ELV compliant have a maximum concentration of 0.1% by weight in homogenous materials for lead, hexavalent chromium, and mercury, and 0.01% for cadmium, or qualify for an exemption to these limits as defined in the Annexes of Directive 2000/53/EC (ELV). Regarding the REACH Regulation, the information TE provides on SVHC in articles for this part number is based on the latest European Chemicals Agency (ECHA) 'Guidance on requirements for substances in articles' posted at this URL: <https://echa.europa.eu/guidance-documents/guidance-on-reach>

## Compatible Parts



TE Part # 175979-1  
FF 187 PLUG HSG 8P NYLON NAT




TE Part # 170258-1  
FF 250 REC 14-12AWG BR REREELING




TE Part # 170258-2  
FF 250 REC 14-12AWG TPBR REREELING


## Also in the Series | FASTIN-FASTON 250



Crimp Terminal Housings(195)



Insertion & Extraction Tools(2)



Quick Disconnects(216)

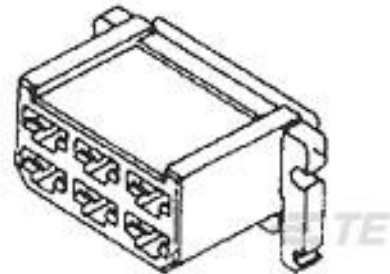
## Customers Also Bought



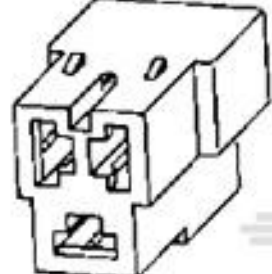
TE Part #6-1879338-0  
CPF 0603 110K 1% 50PPM 1K RL



TE Part #W4SD  
WEDGE LOCK, 4P, PLG, BRN, STD, DT, D



TE Part #180904  
FF 250 REC HSG 6P NYLON NAT



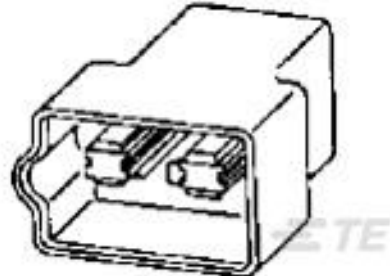
TE Part #180941  
FF 250 REC HSG 3P NYLON NAT



TE Part #928930-5  
FF 110 TAB 0.5-1 MM2 .080 F PTP CUZN30



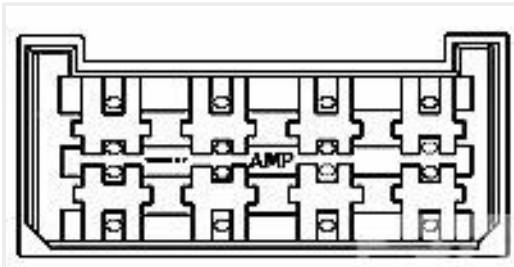
TE Part #K1127019  
Toggle Switch 07-2-2-99 904



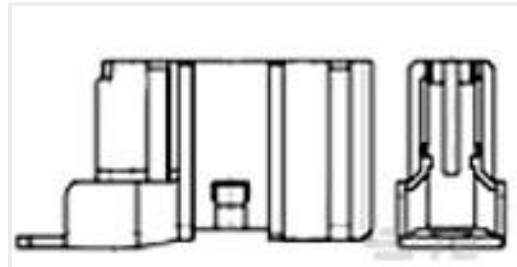
TE Part #180901  
FF 250 TAB HSG 4P NYLON NAT



TE Part #180940  
FF 250 TAB HSG 3P NYLON NAT



TE Part #280099  
FF 250 TAB HSG 8P NYLON CLEAR



TE Part #927689-1  
26P MOD4 ABDECKKAPP

## Documents

### Product Drawings

[FF 250 REC HSG 8P NYLON CLEAR](#)

English

### CAD Files

[3D PDF](#)

3D

Customer View Model

[ENG\\_CVM\\_CVM\\_163007\\_T.2d\\_dxf.zip](#)

English

Customer View Model

[ENG\\_CVM\\_CVM\\_163007\\_T.3d\\_igs.zip](#)

English

Customer View Model

[ENG\\_CVM\\_CVM\\_163007\\_T.3d\\_stp.zip](#)

English

By downloading the CAD file I accept and agree to the [Terms and Conditions](#) of use.

### Datasheets & Catalog Pages

[FASTIN\\_FASTON\\_Product\\_Line](#)

English

[White Paper: Nylon Discoloration](#)

English

### Product Specifications

[Application Specification](#)

English