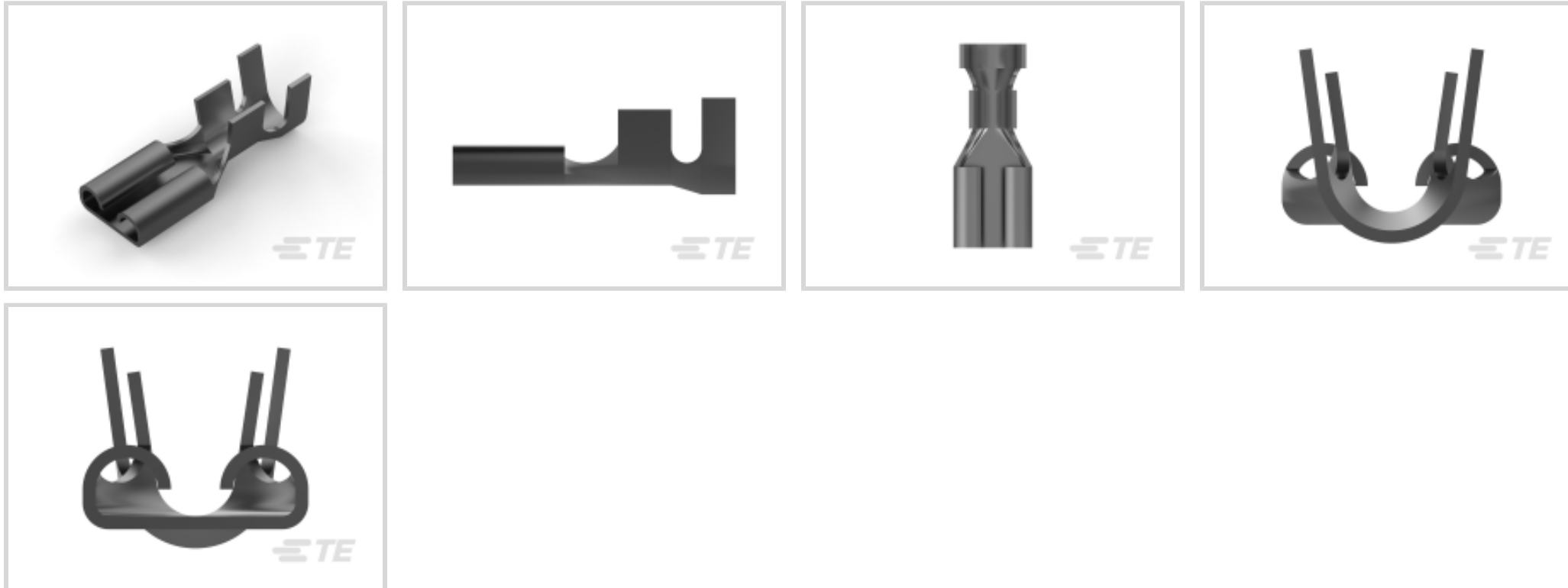




Terminals & Splices > Quick Disconnects



Quick Disconnect Terminal Type: **Receptacle**

Wire Size: 1.65 – 5.26 mm²

Mating Tab Width: 6.35 mm [.25 in]

Mating Tab Thickness: .81 mm [.032 in]

Features

Product Type Features

Insertion Force	Normal
-----------------	--------

Configuration Features

Compatible With Wire & Cable Type	Discrete Wire
Connection Capacity	Single

Contact Features

Quick Disconnect Terminal Type	Receptacle
Mating Tab Width	6.35 mm [.25 in]
Mating Tab Thickness	.81 mm [.032 in]
Terminal Orientation	Straight
Contact Base Material	Brass
Terminal Plating Material	Tin
Crimp Type	F-Crimp
Barrel Type	Open

Termination Features

--	--



Product Terminates To	Wire & Cable
-----------------------	--------------

Mechanical Attachment

Wire Insulation Support	With
Mating Retention Type	Dimple
Extraction Force	2.5 kgf

Dimensions

Product Length	19.6 mm[.771 in]
Compatible Insulation Diameter Range	3 – 5 mm[.118 – .197 in]
Terminal Material Thickness	.43 mm[.017 in]
Wire Size	1.65 – 5.26 mm ²

Usage Conditions

Insulation Option	Uninsulated
Operating Temperature Range	-40 – 110 °C[-40 – 230 °F]

Industry Standards

Compatible With Agency/Standards Products	CSA, UL
---	---------

Packaging Features

Packaging Quantity	4000
Packaging Method	Strip/Reel

Product Compliance

[For compliance documentation, visit the product page on TE.com>](#)

EU RoHS Directive 2011/65/EU	Compliant
EU ELV Directive 2000/53/EC	Compliant
China RoHS 2 Directive MIIT Order No 32, 2016	No Restricted Materials Above Threshold
EU REACH Regulation (EC) No. 1907/2006	Current ECHA Candidate List: JAN 2025 (247) Candidate List Declared Against: JAN 2025 (247) Does not contain REACH SVHC
Halogen Content	Low Halogen - Br, Cl, F, I < 900 ppm per homogenous material. Also BFR/CFR/PVC Free
Solder Process Capability	Not applicable for solder process capability

Product Compliance Disclaimer



This information is provided based on reasonable inquiry of our suppliers and represents our current actual knowledge based on the information they provided. This information is subject to change. The part numbers that TE has identified as EU RoHS compliant have a maximum concentration of 0.1% by weight in homogenous materials for lead, hexavalent chromium, mercury, PBB, PBDE, DBP, BBP, DEHP, DIBP, and 0.01% for cadmium, or qualify for an exemption to these limits as defined in the Annexes of Directive 2011/65/EU (RoHS2). Finished electrical and electronic equipment products will be CE marked as required by Directive 2011/65/EU. Components may not be CE marked. Additionally, the part numbers that TE has identified as EU ELV compliant have a maximum concentration of 0.1% by weight in homogenous materials for lead, hexavalent chromium, and mercury, and 0.01% for cadmium, or qualify for an exemption to these limits as defined in the Annexes of Directive 2000/53/EC (ELV). Regarding the REACH Regulation, the information TE provides on SVHC in articles for this part number is based on the latest European Chemicals Agency (ECHA) 'Guidance on requirements for substances in articles' posted at this URL: <https://echa.europa.eu/guidance-documents/guidance-on-reach>

Compatible Parts



TE Part # 2232112-1
250 FASTON, REC., 18-14 AWG, TPBR



TE Part # 2232247-1
250 FASTON, REC., 16-10 AWG, BR



KIT
REPRESENTATION ONLY

TE Part # 7-2150540-7
OCEAN_2.0_SPARE_PART_KIT-150F220F




TE Part # 2150540-1
OCEAN_2.0_APPLICATIONER-E-150F220F-REM

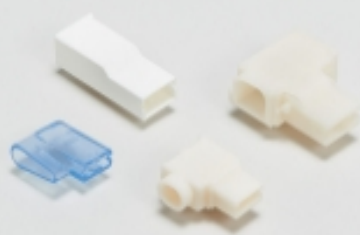


TE Part # 2150540-2
OCEAN_2.0_APPLICATIONER-E-150F220F-REA

Also in the Series | FASTON 250



Compression Connectors(4)



Crimp Terminal Housings(116)



Insulation Boots & Sleeves(16)



Magnet Wire Terminals(1)



PCB Terminals(134)

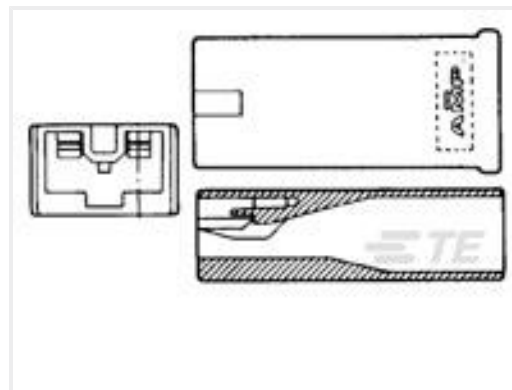
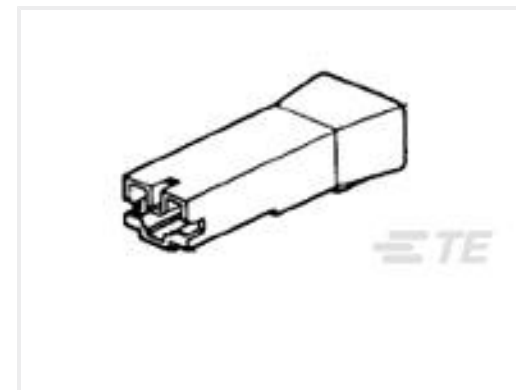


Quick Disconnects(421)



Splices(4)

Customers Also Bought

TE Part #1969458-3
POSI-LOK MKIII,7MM SILO POW
CORD,2P,BLUETE Part #170011-2
RING STRIP 18-14 MM2 0.503 X 11.938
TPBRTE Part #179975-1
250 PL EX REC. 15-10AWG PTBRTE Part #41802
250 FASTON FLAG REC 18-12 AWG
TPBRTE Part #2238136-2
RECEPTACLE, POSITIVE-LOCK, RAST
6.35TE Part #42563-2
250 FASTON FLAG REC 12-10 AWG
TPBRTE Part #179970-6
PL EXII 250 REC HSG 1P NYLON BLUETE Part #177627-1
PL .250 (6.3 MM) HOUSING
RECEPTACLETE Part #521204-2
HSG RCPT POSI MK 111 250 2POSTE Part #1969458-1
POSI-LOK MKIII, 7MM SILO POW
CORD,2P,RED

Documents

Product Drawings

[250 FASTON,REC.,16-10 AWG,BR](#)

English

CAD Files

Customer View Model

[ENG_CVM_CVM_170224-2_J.2d_dxf.zip](#)

English

[3D PDF](#)



3D

Customer View Model

[ENG_CVM_CVM_170224-2_J.3d_igs.zip](#)

English

Customer View Model

[ENG_CVM_CVM_170224-2_J.3d_stp.zip](#)

English

By downloading the CAD file I accept and agree to the [Terms and Conditions](#) of use.

Product Specifications

Application Specification

Japanese

[CRIMPING OF .250 SERIES FASTON RECEPTACLE](#)

Japanese

Application Specification

English

[CRIMPING OF .250 SERIES FASTON RECEPTACLE](#)

English

[250 SERIES FASTON RECEPTACLE](#)

English

Application Specification

English

Agency Approvals

Agency Approval Document

English