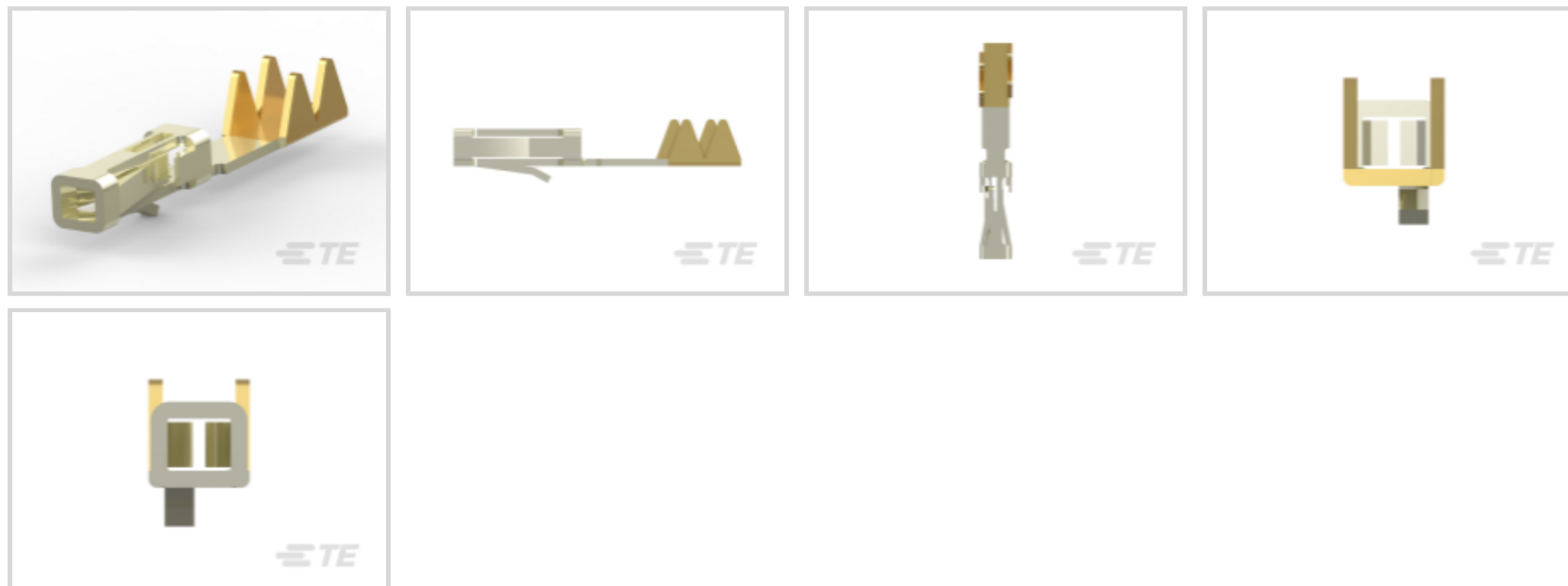




Connectors > Contacts > Connector Contacts > 2.54mm FFC Connectors Socket Contacts



Contact Type: **Socket**

Contact Mating Area Plating Material: **Gold Flash**

Compatible With Wire & Cable Type: **FFC**

Termination Method to Wire & Cable: **Insulation Displacement (IDC)**

Contact Base Material: **Phosphor Bronze**

[All 2.54mm FFC Connectors Socket Contacts \(34\)](#)

Features

Configuration Features

Compatible With Wire & Cable Type	FFC
-----------------------------------	-----

Contact Features

Contact Underplating Material	Nickel
PCB Contact Termination Area Plating Material	Gold Flash
	15 µin
Contact Type	Socket
Contact Mating Area Plating Material	Gold Flash
Contact Base Material	Phosphor Bronze
Contact Current Rating (Max)	2 A

Termination Features

Termination Method to Wire & Cable	Insulation Displacement (IDC)
Product Terminates To	Wire & Cable

Dimensions

--	--

Accepts Conductor Width	1.27 mm[.05 in]
-------------------------	-----------------

Usage Conditions

Operating Temperature Range	-65 – 105 °C[-85 – 221 °F]
-----------------------------	----------------------------

Operation/Application

Circuit Application	Signal
---------------------	--------

Packaging Features

Packaging Method	Reel
------------------	------

Product Compliance

[For compliance documentation, visit the product page on TE.com>](#)

EU RoHS Directive 2011/65/EU	Compliant
EU ELV Directive 2000/53/EC	Compliant
China RoHS 2 Directive MIIT Order No 32, 2016	No Restricted Materials Above Threshold
EU REACH Regulation (EC) No. 1907/2006	Current ECHA Candidate List: JAN 2025 (247) Candidate List Declared Against: JUNE 2024 (241) Does not contain REACH SVHC
Halogen Content	Low Halogen - Br, Cl, F, I < 900 ppm per homogenous material. Also BFR/CFR/PVC Free
Solder Process Capability	Not applicable for solder process capability

Product Compliance Disclaimer

This information is provided based on reasonable inquiry of our suppliers and represents our current actual knowledge based on the information they provided. This information is subject to change. The part numbers that TE has identified as EU RoHS compliant have a maximum concentration of 0.1% by weight in homogenous materials for lead, hexavalent chromium, mercury, PBB, PBDE, DBP, BBP, DEHP, DIBP, and 0.01% for cadmium, or qualify for an exemption to these limits as defined in the Annexes of Directive 2011/65/EU (RoHS2). Finished electrical and electronic equipment products will be CE marked as required by Directive 2011/65/EU. Components may not be CE marked. Additionally, the part numbers that TE has identified as EU ELV compliant have a maximum concentration of 0.1% by weight in homogenous materials for lead, hexavalent chromium, and mercury, and 0.01% for cadmium, or qualify for an exemption to these limits as defined in the Annexes of Directive 2000/53/EC (ELV). Regarding the REACH Regulation, the information TE provides on SVHC in articles for this part number is based on the latest European Chemicals Agency (ECHA) 'Guidance on requirements for substances in articles' posted at this URL: <https://echa.europa.eu/guidance-documents/guidance-on-reach>

Compatible Parts



TE Part # 5-528441-5
APPLIC. FFC-MODU.100



TE Part # CAT-F439-R2435254
2.54mm FFC Connectors Receptacle Housing



TE Part # CAT-F439-S01339254
2.54mm FFC Connectors Socket Contacts



TE Part # 1-487526-8
019 HOUSING FFC RCPT 100CL SR



TE Part # CAT-F439-P65254
2.54mm FFC Connectors Pin Contacts



TE Part # 1-528013-1
FFC PISTOL GRIP HAND TOOL CASE

Customers Also Bought



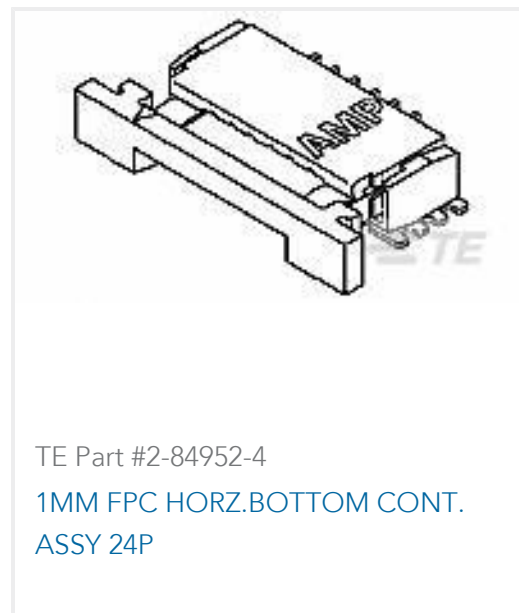
TE Part #350833-1
04P UMNL HDR ASSY PC 94VO



TE Part #487937-1
100 HOUSING FFC 50CL DR LATCH



TE Part #CAT-F439-R2435254
2.54mm FFC Connectors Receptacle Housing



TE Part #2-84952-4
1MM FPC HORZ.BOTTOM CONT. ASSY 24P



TE Part #9-215570-0
MICRO-MATCH PBC.20P



TE Part #643411-1
02P UMNL HDR ASSY POL

Documents

Product Drawings

[FFC,RCPT CONTACT,STD PRESSURE](#)

English

CAD Files

[Customer View Model](#)

[ENG_CVM_CVM_2-487406-2_AV.2d_dxf.zip](#)

English

[3D PDF](#)



3D

Customer View Model

[ENG_CVM_CVM_2-487406-2_AV.3d_igs.zip](#)

English

Customer View Model

[ENG_CVM_CVM_2-487406-2_AV.3d_stp.zip](#)

English

By downloading the CAD file I accept and agree to the [Terms and Conditions](#) of use.

Product Specifications

[Application Specification](#)

English

[Application Specification](#)

English

Instruction Sheets

[Instruction Sheet \(U.S.\)](#)

English

[Extraction Tools](#)

English