



Passive Components > Resistors > Surface Mount Resistors > SMD Power Resistor: 3 Watt, 1% Tol



Resistance Value: 22 Ω

Resistor Type: Power Resistor

Element Type: Thick Film

Package Size Code: 2512

Power Rating: 3 W

[All SMD Power Resistor: 3 Watt, 1% Tol \(140\)](#)

Features

Product Type Features

Resistor Type	Power Resistor
Element Type	Thick Film
Package Size Code	2512

Configuration Features

Number of Resistors	1
---------------------	---

Electrical Characteristics

Resistance Value	22 Ω
Power Rating	3 W
Resistance Class	Up to 1kΩ
Passive Component Tolerance	1 %

Termination Features

Surface Mount Resistor Termination Type	Solder
Number of Terminations	2

Dimensions

Product Height	1.1 mm[.043 in]
Product Length	6.35 mm[.25 in]



Product Width	3.2 mm[.126 in]
---------------	-----------------

Usage Conditions

Temperature Coefficient	±100 ppm/°C
-------------------------	-------------

Packaging Features

Packaging Method	Taped & Reeled
------------------	----------------

Product Compliance

[For compliance documentation, visit the product page on TE.com>](#)

EU RoHS Directive 2011/65/EU	Compliant with Exemptions
EU ELV Directive 2000/53/EC	Compliant with Exemptions
China RoHS 2 Directive MIIT Order No 32, 2016	Restricted Materials Above Threshold
EU REACH Regulation (EC) No. 1907/2006	Current ECHA Candidate List: JAN 2025 (247) Candidate List Declared Against: JAN 2025 (247) Does not contain REACH SVHC
Halogen Content	Low Halogen - Br, Cl, F, I < 900 ppm per homogenous material. Also BFR/CFR/PVC Free
Solder Process Capability	Reflow solder capable to 260°C

Product Compliance Disclaimer

This information is provided based on reasonable inquiry of our suppliers and represents our current actual knowledge based on the information they provided. This information is subject to change. The part numbers that TE has identified as EU RoHS compliant have a maximum concentration of 0.1% by weight in homogenous materials for lead, hexavalent chromium, mercury, PBB, PBDE, DBP, BBP, DEHP, DIBP, and 0.01% for cadmium, or qualify for an exemption to these limits as defined in the Annexes of Directive 2011/65/EU (RoHS2). Finished electrical and electronic equipment products will be CE marked as required by Directive 2011/65/EU. Components may not be CE marked. Additionally, the part numbers that TE has identified as EU ELV compliant have a maximum concentration of 0.1% by weight in homogenous materials for lead, hexavalent chromium, and mercury, and 0.01% for cadmium, or qualify for an exemption to these limits as defined in the Annexes of Directive 2000/53/EC (ELV). Regarding the REACH Regulation, the information TE provides on SVHC in articles for this part number is based on the latest European Chemicals Agency (ECHA) 'Guidance on requirements for substances in articles' posted at this URL: <https://echa.europa.eu/guidance-documents/guidance-on-reach>

Compatible Parts



TE Part # 4-2176230-2
3522 2K2 5% 3W



TE Part # CAT-C339-A76B
SMD Power Resistor: 3 Watt, 1% Tol

Also in the Series | CGS 3522



Surface Mount Resistors(211)

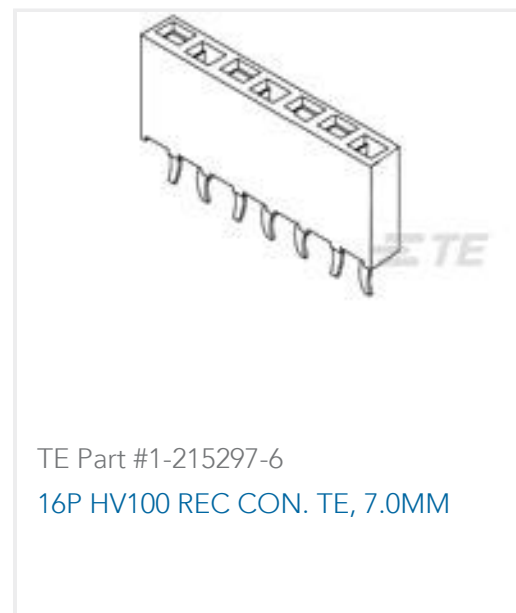
Customers Also Bought



TE Part #1-2176230-6
3522 15R 5% 3W



TE Part #4-1879501-9
CRGH2512 5% 100R 2W



TE Part #1-215297-6
16P HV100 REC CON. TE, 7.0MM



TE Part #2-406541-2
MJ,INV,1X1,6PNL G.,100"ST,SN,
NARROW POST



TE Part #7-215079-4
MICRO-MATCH FOB.04P



TE Part #1-1462037-6
IM03JR=IM RELAY 140mW 5V



TE Part #6-2176583-6
RLC73PD 2B R267 1% 1K RL



TE Part #2213189-3
Assembly, IPI Connector 22-18GA w
cap



TE Part #1-2176230-5
3522 12R 5% 3W



TE Part #1-1393239-2
RT114020



Documents

Product Drawings

[3522 22R 1% 3W](#)

English

CAD Files

[3D PDF](#)

3D

Customer View Model

[ENG_CVM_CVM_2176231-9_BA.2d_dxf.zip](#)

English

Customer View Model

[ENG_CVM_CVM_2176231-9_BA.3d_igs.zip](#)

English

Customer View Model

[ENG_CVM_CVM_2176231-9_BA.3d_stp.zip](#)

English

By downloading the CAD file I accept and agree to the [Terms and Conditions](#) of use.

Datasheets & Catalog Pages

[SMD POWER RESISTORS - TYPE 3522 SERIES](#)

English