

2213616-1 ✓ ACTIVE

LUMAWISE

TE Internal #: 2213616-1

PCB Mount Hermaphroditic Connector, Horizontal, Board-to-Board, 2 Position, 4 mm [.157 in] Centerline, Gold (Au), Surface Mount, Power & Signal

[View on TE.com >](#)



Connectors > PCB Connectors > PCB Headers & Receptacles



PCB Connector Type: **PCB Mount Hermaphroditic Connector**

PCB Mount Orientation: **Horizontal**

Connector System: **Board-to-Board**

Number of Positions: **2**

Number of Rows: **1**

Features

Product Type Features

| | |
|-----------------------------------|------------------------------------|
| PCB Connector Type | PCB Mount Hermaphroditic Connector |
| Connector System | Board-to-Board |
| Sealable | No |
| Connector & Contact Terminates To | Printed Circuit Board |
| Connector Product Type | Connector Assembly |

Configuration Features

| | |
|------------------------------|------------|
| Board-to-Board Configuration | Co-Planar |
| PCB Mount Orientation | Horizontal |
| Number of Positions | 2 |
| Number of Rows | 1 |

Body Features

| | |
|-----------------------|---------|
| Primary Product Color | Natural |
|-----------------------|---------|

Contact Features

| | |
|-------------------------------|--------|
| Contact Underplating Material | Nickel |
|-------------------------------|--------|



| | |
|--|-----------------|
| Contact Mating Area Plating Material Thickness | 1.52 – 3.04 µm |
| Mating Tab Width | 3.05 mm[.12 in] |
| Mating Tab Thickness | .4 mm[.016 in] |
| Contact Mating Area Plating Material Finish | Matte |
| Contact Mating Area Plating Material | Gold (Au) |
| Contact Type | Hermaphroditic |
| Contact Current Rating (Max) | 6 A |

Termination Features

| | |
|---|----------------|
| Rectangular Termination Post & Tail Width | 1 mm[.04 in] |
| Rectangular Termination Post & Tail Thickness | .4 mm[.016 in] |
| Termination Method to PCB | Surface Mount |

Mechanical Attachment

| | |
|--------------------------|-------------|
| PCB Mount Alignment Type | Pegs |
| PCB Mount Retention | Without |
| PCB Mount Alignment | With |
| Connector Mounting Type | Board Mount |
| Mating Alignment | Without |

Housing Features

| | |
|--------------------|---------------|
| Housing Material | LCP |
| Centerline (Pitch) | 4 mm[.157 in] |

Usage Conditions

| | |
|-----------------------------|----------------------------|
| Operating Temperature Range | -40 – 105 °C[-40 – 221 °F] |
|-----------------------------|----------------------------|

Operation/Application

| | |
|---------------------|----------------|
| Circuit Application | Power & Signal |
|---------------------|----------------|

Industry Standards

| | |
|------------------------|----------|
| UL Flammability Rating | UL 94V-0 |
|------------------------|----------|

Packaging Features

| | |
|------------------|-------------|
| Packaging Method | Tape & Reel |
|------------------|-------------|

Product Compliance

[For compliance documentation, visit the product page on TE.com>](#)



| | |
|---|---|
| EU RoHS Directive 2011/65/EU | Compliant |
| EU ELV Directive 2000/53/EC | Compliant |
| China RoHS 2 Directive MIIT Order No 32, 2016 | No Restricted Materials Above Threshold |
| EU REACH Regulation (EC) No. 1907/2006 | Current ECHA Candidate List: JAN 2025 (247) Candidate List Declared Against: JAN 2025 (247) Does not contain REACH SVHC |
| Halogen Content | Low Halogen - Br, Cl, F, I < 900 ppm per homogenous material. Also BFR/CFR/PVC Free |
| Solder Process Capability | Reflow solder capable to 260°C |

Product Compliance Disclaimer

This information is provided based on reasonable inquiry of our suppliers and represents our current actual knowledge based on the information they provided. This information is subject to change. The part numbers that TE has identified as EU RoHS compliant have a maximum concentration of 0.1% by weight in homogenous materials for lead, hexavalent chromium, mercury, PBB, PBDE, DBP, BBP, DEHP, DIBP, and 0.01% for cadmium, or qualify for an exemption to these limits as defined in the Annexes of Directive 2011/65/EU (RoHS2). Finished electrical and electronic equipment products will be CE marked as required by Directive 2011/65/EU. Components may not be CE marked. Additionally, the part numbers that TE has identified as EU ELV compliant have a maximum concentration of 0.1% by weight in homogenous materials for lead, hexavalent chromium, and mercury, and 0.01% for cadmium, or qualify for an exemption to these limits as defined in the Annexes of Directive 2000/53/EC (ELV). Regarding the REACH Regulation, the information TE provides on SVHC in articles for this part number is based on the latest European Chemicals Agency (ECHA) 'Guidance on requirements for substances in articles' posted at this URL: <https://echa.europa.eu/guidance-documents/guidance-on-reach>

Compatible Parts



TE Part # 2106212-1
Assembly, 2 Position, w/ Posts



TE Part # 2213616-1
HERM BLADE & RECPT, 2 POS, POST, SEL GOLD

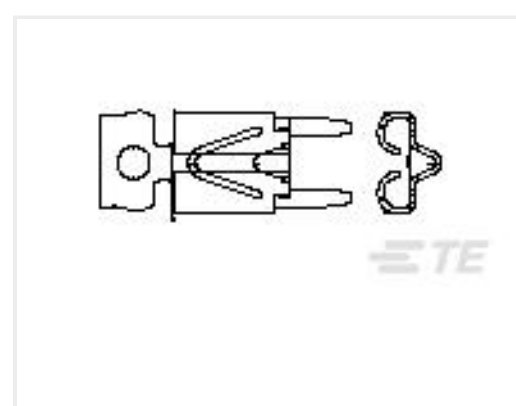
Customers Also Bought



TE Part # 2213936-2
SMT TB SCREW RECEPTACLE, 3.5 MM, 2 POS



TE Part # 2213616-2
HERM BLADE & RECPT, 4 POS, POST, SEL GOLD



TE Part # 63969-1
FASTON 205/250 PCB MOUNTED TPBR



TE Part # 2834006-1
RELEASE POKE-IN CONNECTOR_1POLES



TE Part #2213932-2
SMT TB R/A HEADER, 3.5MM, 2 POS



TE Part #3-1879354-1
RR03 5% 5R6 AMMO



TE Part #1011-026-0205
CLIP, PA66, GRY, 5.08MM HOLE, ST



TE Part #7536494002
RT555-1/8-0-SP



TE Part #CAT-T3437-H99
HX-SCE Low Fire Hazard Sleeves

Documents

Product Drawings

[HERM BLADE & RECPT,2 POS,POST,SEL GOLD](#)

English

CAD Files

[3D PDF](#)

3D

Customer View Model

[ENG_CVM_CVM_2213616-1_A.2d_dxf.zip](#)

English

Customer View Model

[ENG_CVM_CVM_2213616-1_A.3d_igs.zip](#)

English

Customer View Model

[ENG_CVM_CVM_2213616-1_A.3d_stp.zip](#)

English

By downloading the CAD file I accept and agree to the [Terms and Conditions](#) of use.

Datasheets & Catalog Pages

[Hermaphroditic Connectors with Select Gold Plating Flyer](#)

[Hermaphroditic Connectors with Select Gold Plating Flyer](#)

English

Product Specifications

[Application Specification](#)

English

Agency Approvals

2213616-1

PCB Mount Hermaphroditic Connector, Horizontal, Board-to-Board, 2 Position, 4 mm
[.157 in] Centerline, Gold (Au), Surface Mount, Power & Signal



UL Report

English