



Application Tooling > Hand Crimping Tools



Tool Grade: **Commercial Crimp Tooling**

Die Sets Type: **Removable/Interchangeable**

Specification Type: **TE Product Specification (114-)**

TE Certification: **Cannot be Certified**

Tooling Type: **SDE Crimp Die Set**

### Features

#### Other

Crimp Form-Wire Barrel Type	Open Barrel - F Crimp
Tool Grade	Commercial Crimp Tooling
Die Sets Type	Removable/Interchangeable
Specification Type	TE Product Specification (114-)
TE Certification	Cannot be Certified
Tooling Type	SDE Crimp Die Set

### Product Compliance

[For compliance documentation, visit the product page on TE.com>](#)

EU RoHS Directive 2011/65/EU	Out of Scope
EU ELV Directive 2000/53/EC	Out of Scope
China RoHS 2 Directive MIIT Order No 32, 2016	No Restricted Materials Above Threshold
EU REACH Regulation (EC) No. 1907/2006	Current ECHA Candidate List: JAN 2025 (247) Candidate List Declared Against: JAN 2022 (223)



Does not contain REACH SVHC

Halogen Content

Low Halogen - Br, Cl, F, I < 900 ppm per homogenous material. Also BFR/CFR/PVC Free

Solder Process Capability

Not applicable for solder process capability

Product Compliance Disclaimer

This information is provided based on reasonable inquiry of our suppliers and represents our current actual knowledge based on the information they provided. This information is subject to change. The part numbers that TE has identified as EU RoHS compliant have a maximum concentration of 0.1% by weight in homogenous materials for lead, hexavalent chromium, mercury, PBB, PBDE, DBP, BBP, DEHP, DIBP, and 0.01% for cadmium, or qualify for an exemption to these limits as defined in the Annexes of Directive 2011/65/EU (RoHS2). Finished electrical and electronic equipment products will be CE marked as required by Directive 2011/65/EU. Components may not be CE marked. Additionally, the part numbers that TE has identified as EU ELV compliant have a maximum concentration of 0.1% by weight in homogenous materials for lead, hexavalent chromium, and mercury, and 0.01% for cadmium, or qualify for an exemption to these limits as defined in the Annexes of Directive 2000/53/EC (ELV). Regarding the REACH Regulation, the information TE provides on SVHC in articles for this part number is based on the latest European Chemicals Agency (ECHA) 'Guidance on requirements for substances in articles' posted at this URL: <https://echa.europa.eu/guidance-documents/guidance-on-reach>

### Compatible Parts

TE Part # 1-963741-1  
TAB 5.8x0.8 CONTACT CS SRC Sn (LP)

REPRESENTATION ONLY. DIE SET MAY VARY. TE

TE Part # 2378724-1  
SDE F FLAT CONTACT 5.8 0.50-1.00 ASSY

TE Part # 2362810-1  
SDE CRIMP HAND TOOL FRAME W /O DIES

### Customers Also Bought

TE Part #1438842-1  
34WAY IN-LINE CAP ASSY, INDEX A

TE Part #2208830-1  
RETAINER, FOR NANOMQS

TE Part #539734-2  
DIE SPT 4MM

REPRESENTATION ONLY. DIE SET MAY VARY. TE

TE Part #2378724-1  
SDE F FLAT CONTACT 5.8 0.50-1.00 ASSY



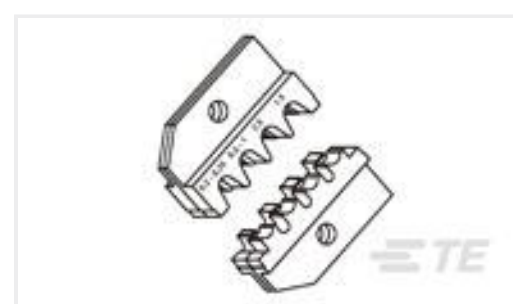
TE Part #2063490-2  
SDE TAB 0.5-2.5mm2 DIE SET



TE Part #2063626-2  
SDE MCP 6.3/4.8K 1.5-2.5mm2 DIE SET



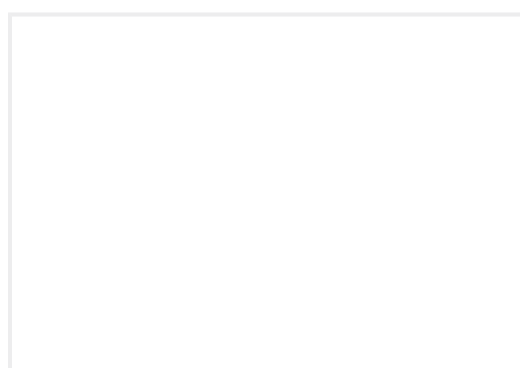
TE Part #1-2203771-3  
3POS, MCON 1.2 CB REC 1p TL  
SEALED



TE Part #539666-2  
MATRIZE SPT/TAB 4,8



TE Part #2208829-1  
RETAINER, FOR MCON1.2 CB



TE Part #2314058-2  
64POS, MCON 0.5, REC HSG ASSY, SLD,  
COD B

## Documents

### Datasheets & Catalog Pages

#### Bottoming Dies

English

### Instruction Sheets

#### Instruction Sheet (U.S.)

English