



Wire & Cable > Hook Up Wire



Cable Type: **MIL-DTL-81044**

Operating Voltage: **600 V**

Wire & Cable Insulation Material: **Modified Radiation Cross-linked PVDF**

Conductor Material: **Tin-Coated Copper**

Wire Size: **26 AWG**

## Features

### Product Type Features

Cable Style	Primary
-------------	---------

### Configuration Features

Number of Strands	19
Number of Conductors	1

### Electrical Characteristics

Operating Voltage	600 V
-------------------	-------

### Body Features

Wire & Cable Insulation Material	Modified Radiation Cross-linked PVDF
Conductor Material	Tin-Coated Copper
Wire Color (Base)	White

### Dimensions

Strand Size	38 AWG
Outside Cable Diameter	.86 mm[.034 in]
Conductor Diameter Range	.48 – .5 mm[.019 – .02 in]
Wire Size	26 AWG

### Usage Conditions

Cable Type	MIL-DTL-81044
Operating Temperature Range	-65 – 150 °C



Other

Product Source	US
----------------	----

Product Compliance

[For compliance documentation, visit the product page on TE.com>](#)

EU RoHS Directive 2011/65/EU	Compliant
EU ELV Directive 2000/53/EC	Compliant
China RoHS 2 Directive MIIT Order No 32, 2016	No Restricted Materials Above Threshold
EU REACH Regulation (EC) No. 1907/2006	Current ECHA Candidate List: JAN 2025 (247) Candidate List Declared Against: JUNE 2024 (241) Does not contain REACH SVHC
Halogen Content	Low Halogen - Br, Cl, F, I < 900 ppm per homogenous material. Also BFR/CFR/PVC Free
Solder Process Capability	Not applicable for solder process capability

Product Compliance Disclaimer

This information is provided based on reasonable inquiry of our suppliers and represents our current actual knowledge based on the information they provided. This information is subject to change. The part numbers that TE has identified as EU RoHS compliant have a maximum concentration of 0.1% by weight in homogenous materials for lead, hexavalent chromium, mercury, PBB, PBDE, DBP, BBP, DEHP, DIBP, and 0.01% for cadmium, or qualify for an exemption to these limits as defined in the Annexes of Directive 2011/65/EU (RoHS2). Finished electrical and electronic equipment products will be CE marked as required by Directive 2011/65/EU. Components may not be CE marked. Additionally, the part numbers that TE has identified as EU ELV compliant have a maximum concentration of 0.1% by weight in homogenous materials for lead, hexavalent chromium, and mercury, and 0.01% for cadmium, or qualify for an exemption to these limits as defined in the Annexes of Directive 2000/53/EC (ELV). Regarding the REACH Regulation, the information TE provides on SVHC in articles for this part number is based on the latest European Chemicals Agency (ECHA) 'Guidance on requirements for substances in articles' posted at this URL: <https://echa.europa.eu/guidance-documents/guidance-on-reach>

Compatible Parts



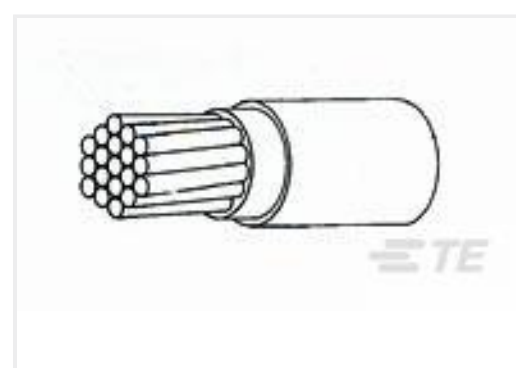
Customers Also Bought



TE Part #CAT-NEMA-M27500-ML  
NEMA WC27500: Crosslinked  
Polyalkene Lightweight Cables



TE Part #1-2176412-2  
5W XSM M/OX 5% 15R



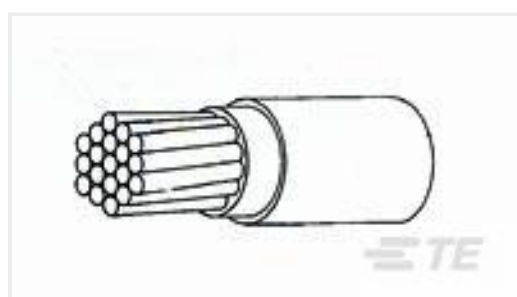
TE Part #282222-003  
81044/12-16-2



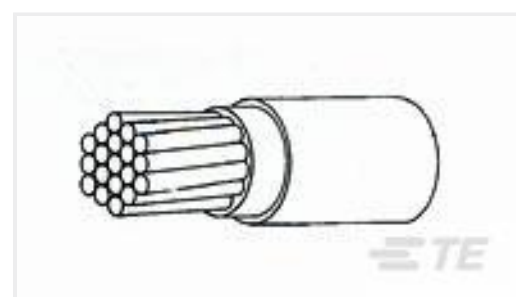
TE Part #324057  
TERMINAL,T-N R 1/0 3/8



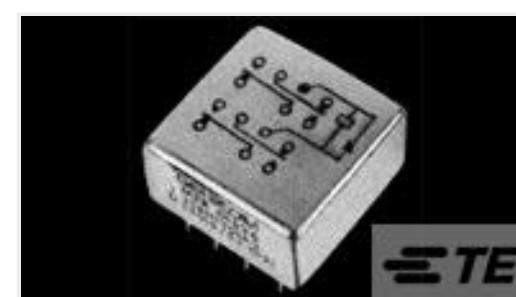
TE Part #5100147-1  
Z-PACK/A RAF 110P



TE Part #285752-009  
44A0111-26-2-US



TE Part #285750-010  
44A0111-26-0-US



TE Part #4-1617076-4  
3SBH5004K1R = RELAY



TE Part #1-2176412-9  
5W XSM M/OX 5% 30R

## Documents

### Product Drawings

[81044/12-26-9](#)

English

### Datasheets & Catalog Pages

[1654025\\_Sec9\\_SPEC44](#)

English

### Raychem Wire and Cable Quick Reference Guide

English

### Product Specifications

[Product Specification](#)

English