



Relays & Contactors > Relay Accessories



Relay Socket Type: **Bracket**

Body Material: **Polyester**

Product Mount Type: **Chassis Mount**

Pole Configuration: **2**

Relay Accessory Type: **Socket**

### Features

#### Product Type Features

Relay Accessory Type	Socket
----------------------	--------

#### Configuration Features

Relay Options	Grounding Provision
---------------	---------------------

#### Body Features

Body Material	Polyester
---------------	-----------

#### Contact Features

Contact Material	Spring Brass
Contact Plating Material	Tin
Terminal Style	Solder/Bracket
Relay Socket Type	Bracket
Pole Configuration	2

#### Termination Features

Number of Pins	10
----------------	----

#### Mechanical Attachment

Product Mounting Feature Type	Mounting Brackets
Product Mount Type	Chassis Mount

#### Other

Relays Comment	Strip Grounding
----------------	-----------------

## Product Compliance

For compliance documentation, visit the product page on [TE.com](#)>

EU RoHS Directive 2011/65/EU	Compliant
EU ELV Directive 2000/53/EC	Compliant
China RoHS 2 Directive MIIT Order No 32, 2016	No Restricted Materials Above Threshold
EU REACH Regulation (EC) No. 1907/2006	Current ECHA Candidate List: JAN 2025 (247) Candidate List Declared Against: JAN 2022 (223) Does not contain REACH SVHC
Halogen Content	Low Halogen - Br, Cl, F, I < 900 ppm per homogenous material. Also BFR/CFR/PVC Free
Solder Process Capability	Not applicable for solder process capability

### Product Compliance Disclaimer

This information is provided based on reasonable inquiry of our suppliers and represents our current actual knowledge based on the information they provided. This information is subject to change. The part numbers that TE has identified as EU RoHS compliant have a maximum concentration of 0.1% by weight in homogenous materials for lead, hexavalent chromium, mercury, PBB, PBDE, DBP, BBP, DEHP, DIBP, and 0.01% for cadmium, or qualify for an exemption to these limits as defined in the Annexes of Directive 2011/65/EU (RoHS2). Finished electrical and electronic equipment products will be CE marked as required by Directive 2011/65/EU. Components may not be CE marked. Additionally, the part numbers that TE has identified as EU ELV compliant have a maximum concentration of 0.1% by weight in homogenous materials for lead, hexavalent chromium, and mercury, and 0.01% for cadmium, or qualify for an exemption to these limits as defined in the Annexes of Directive 2000/53/EC (ELV). Regarding the REACH Regulation, the information TE provides on SVHC in articles for this part number is based on the latest European Chemicals Agency (ECHA) 'Guidance on requirements for substances in articles' posted at this URL: <https://echa.europa.eu/guidance-documents/guidance-on-reach>

## Compatible Parts





TE Part # 1393766-6  
R10-E1X2-V2.5K=R10



TE Part # 3-1393766-9  
R10-E1Y2-V15.0K=R10



TE Part # 3-1393159-5  
20C249=SPRING,HOLD-DOWN,R10,.0



TE Part # 5-1393769-5  
R10-E1Z2-J1.0K=R10



TE Part # 4-1393766-4  
R10-E1Y2-V700=R10



TE Part # 6-1393765-8  
R10-E1P2-V185=R10



TE Part # 6-1393765-6  
R10-E1P2-J2.5K=R10



TE Part # 6-1393765-9  
R10-E1P2-V700=R10



TE Part # 9-1393765-9  
R10-E1X2-J5.0K=R10



TE Part # 3-1393766-6  
R10-E1Y2-S200=R10



TE Part # 7-1393766-1  
R10-E1Z2-V15.0K=R10



TE Part # 7-1393766-3  
R10-E1Z2-V2.5K=R10



TE Part # 7-1393769-6  
R10S-E1Y2-J500=R10



TE Part # 7-1393766-2  
R10-E1Z2-V185=R10

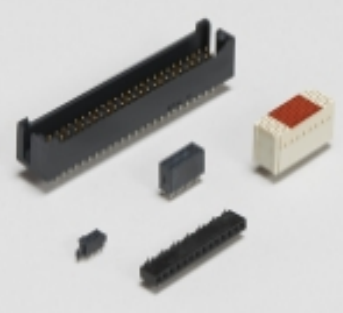


TE Part # 1423795-1  
R10-E1W2-S3.2K=R10



TE Part # 1393766-7  
R10-E1X2-V28=R10

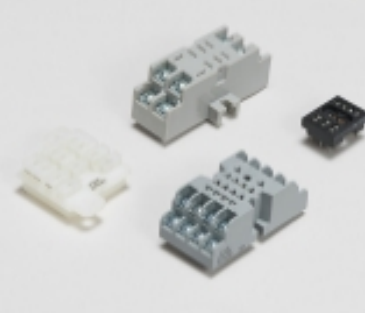
Also in the Series | **Potter & Brumfield R10**



Board-to-Board Headers & Receptacles(1)



PCB Headers & Receptacles(1)



Relay Accessories(27)

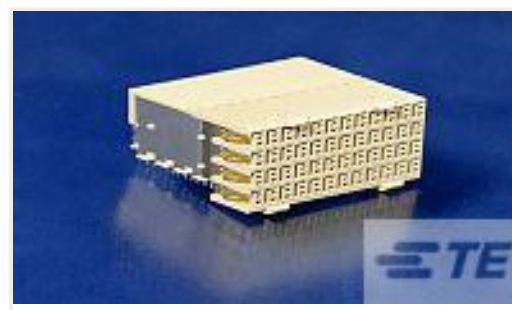
Customers Also Bought



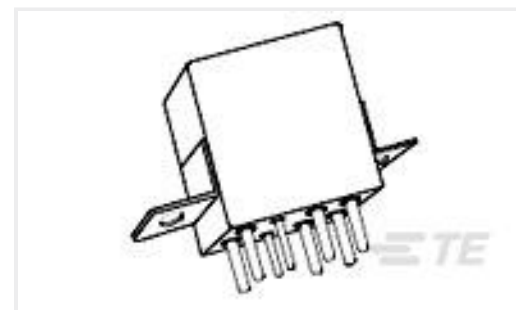
TE Part #945271-000  
SO63-2-9030



TE Part #1-1761607-5  
IDC LOW PRO HDR 50P RA LAT BLK



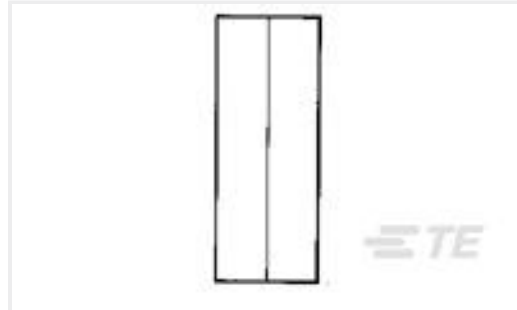
TE Part #6469286-1  
HM-ZD 4PR RECP 96P



TE Part #9-1617748-6  
FCA-210-0922M=M83536/9-022M



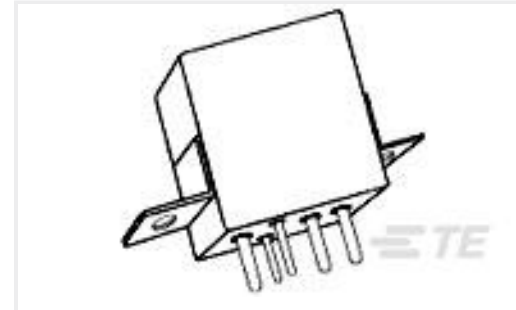
TE Part #1828573-1  
FOCK, TJ-SC, DUPLEX, SM



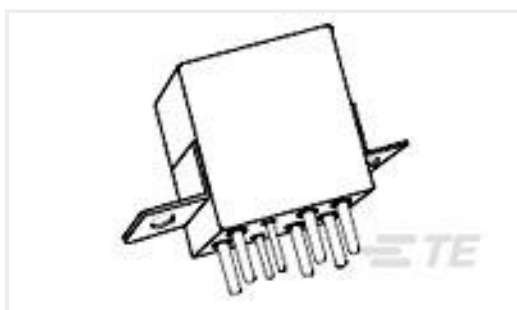
TE Part #8-34138-2  
SPLICE,SOLIS PARA 12-10



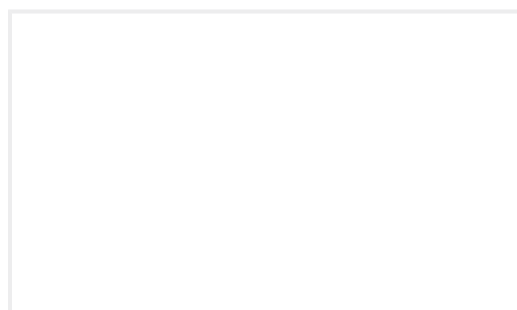
TE Part #2170811-1  
CAGE ASSEMBLY, 1X2, QSFP28,  
GASKET



TE Part #4-1617748-6  
FCA-125-5=M6106/19-005



TE Part #9-1617751-2  
FCA-210-BZ4



TE Part #2123265-2  
KIT, TIGHT JACKET, LC, G2, SM

## Documents

### CAD Files

#### 3D PDF

3D

#### Customer View Model

[ENG\\_CVM\\_CVM\\_3-1393143-4\\_B.2d\\_dxf.zip](#)

English

#### Customer View Model

[ENG\\_CVM\\_CVM\\_3-1393143-4\\_B.3d\\_igs.zip](#)

English

#### Customer View Model

[ENG\\_CVM\\_CVM\\_3-1393143-4\\_B.3d\\_stp.zip](#)

English

By downloading the CAD file I accept and agree to the [Terms and Conditions](#) of use.

### Datasheets & Catalog Pages

#### R10 Sockets & Accessories

English

### Product Specifications



## Definitions General Purpose Relays

English

---

## Agency Approvals

UL

English