

3-160256-1 ✓ ACTIVE

FASTON | FASTON 250

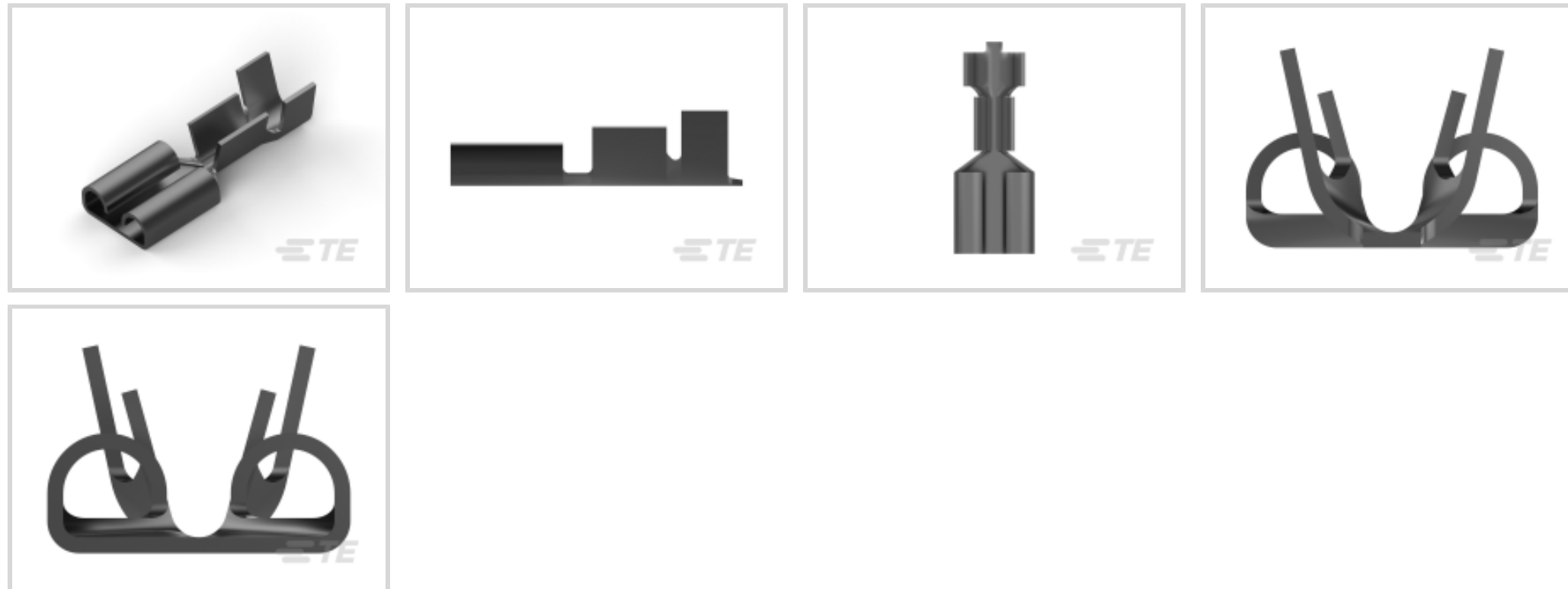
TE Internal #: 3-160256-1

Quick Disconnect Receptacle, 17 – 14 AWG, 1 – 2.5 mm² Wire, 6.35 mm [.25 in] Tab Width, Straight, Phosphor Bronze, Tin Plating, Strip /Reel, FASTON 250

[View on TE.com >](#)



Terminals & Splices > Quick Disconnects



Quick Disconnect Terminal Type: **Receptacle**

Wire Size: 1 – 2.5 mm²

Mating Tab Width: 6.35 mm [.25 in]

Mating Tab Thickness: .81 mm [.032 in]

Features

Product Type Features

Insertion Force	Normal
-----------------	--------

Configuration Features

Compatible With Wire & Cable Type	Discrete Wire
-----------------------------------	---------------

Connection Capacity	Single
---------------------	--------

Contact Features

Quick Disconnect Terminal Type	Receptacle
--------------------------------	------------

Mating Tab Width	6.35 mm [.25 in]
------------------	------------------

Mating Tab Thickness	.81 mm [.032 in]
----------------------	------------------

Terminal Orientation	Straight
----------------------	----------

Contact Base Material	Phosphor Bronze
-----------------------	-----------------

Terminal Plating Material	Tin
---------------------------	-----

Crimp Type	F-Crimp
------------	---------

Barrel Type	Open
-------------	------

Termination Features



Product Terminates To	Wire & Cable
-----------------------	--------------

Mechanical Attachment

Wire Insulation Support	With
Mating Retention Type	Dimple
Extraction Force	8.1 kgf

Dimensions

Product Length	19 mm [.748 in]
Compatible Insulation Diameter Range	3 – 4.3 mm [.118 – .169 in]
Terminal Material Thickness	.41 mm [.016 in]
Wire Size	1 – 2.5 mm ²

Usage Conditions

Insulation Option	Uninsulated
Operating Temperature Range	-40 – 110 °C [-40 – 230 °F]

Industry Standards

Compatible With Agency/Standards Products	CSA, UL
---	---------

Packaging Features

Packaging Quantity	7000
Packaging Method	Strip/Reel

Other

Line	Premier
------	---------

Product Compliance

[For compliance documentation, visit the product page on TE.com>](#)

EU RoHS Directive 2011/65/EU	Compliant
EU ELV Directive 2000/53/EC	Compliant
China RoHS 2 Directive MIIT Order No 32, 2016	No Restricted Materials Above Threshold
EU REACH Regulation (EC) No. 1907/2006	Current ECHA Candidate List: JAN 2025 (247) Candidate List Declared Against: JAN 2025 (247) Does not contain REACH SVHC
Halogen Content	Low Halogen - Br, Cl, F, I < 900 ppm per homogenous material. Also BFR/CFR/PVC Free

Solder Process Capability

Not applicable for solder process capability

Product Compliance Disclaimer

This information is provided based on reasonable inquiry of our suppliers and represents our current actual knowledge based on the information they provided. This information is subject to change. The part numbers that TE has identified as EU RoHS compliant have a maximum concentration of 0.1% by weight in homogenous materials for lead, hexavalent chromium, mercury, PBB, PBDE, DBP, BBP, DEHP, DIBP, and 0.01% for cadmium, or qualify for an exemption to these limits as defined in the Annexes of Directive 2011/65/EU (RoHS2). Finished electrical and electronic equipment products will be CE marked as required by Directive 2011/65/EU. Components may not be CE marked. Additionally, the part numbers that TE has identified as EU ELV compliant have a maximum concentration of 0.1% by weight in homogenous materials for lead, hexavalent chromium, and mercury, and 0.01% for cadmium, or qualify for an exemption to these limits as defined in the Annexes of Directive 2000/53/EC (ELV). Regarding the REACH Regulation, the information TE provides on SVHC in articles for this part number is based on the latest European Chemicals Agency (ECHA) 'Guidance on requirements for substances in articles' posted at this URL: <https://echa.europa.eu/guidance-documents/guidance-on-reach>

Compatible Parts



KIT
REPRESENTATION ONLY

TE Part # 7-2150234-7
[OCEAN_2.0_SPARE_PART_KIT-110F180F](#)



TE Part # 2376595-2
[250 FASTON PCB TAB TPBR](#)



TE Part # 180397-5
[250 FASTON, FLAG, REC., 17-14 AWG, TPPB](#)




TE Part # 2150234-1
[OCEAN_2.0 APPLICATOR-E-110F180F-REM](#)

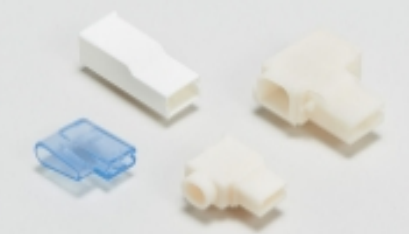


TE Part # 2150234-2
[OCEAN_2.0 APPLICATOR-E-110F180F-REA](#)


Also in the Series | FASTON 250



[Compression Connectors\(4\)](#)



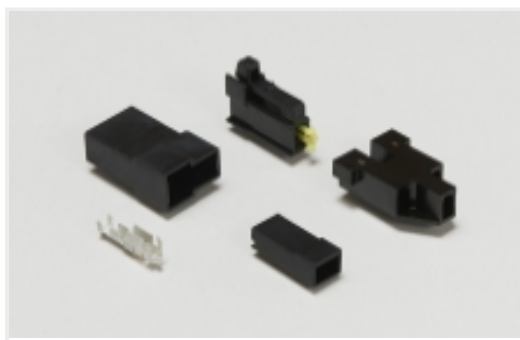
[Crimp Terminal Housings\(116\)](#)



[Insertion & Extraction Tools\(6\)](#)



[Insulation Boots & Sleeves\(16\)](#)



Magnet Wire Terminals(1)



PCB Terminals(134)



Quick Disconnects(421)



Splices(4)

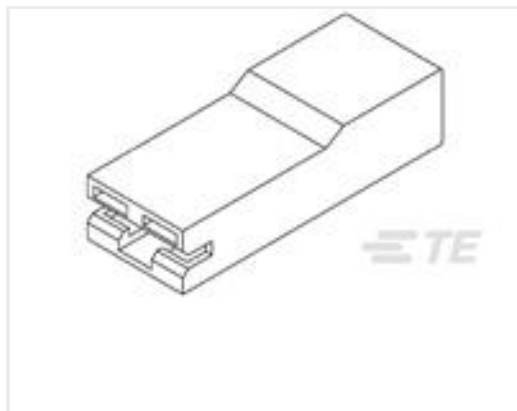
Customers Also Bought



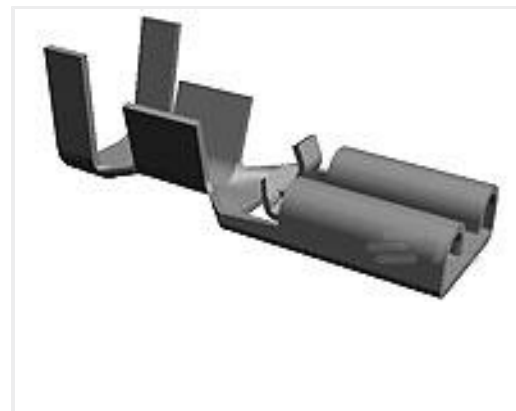
TE Part #61588-1
RING 22-16 AWG TPBR



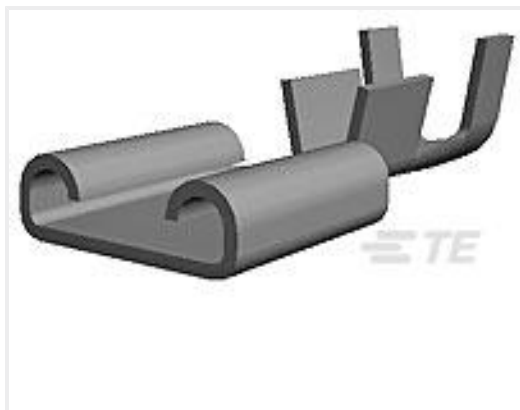
TE Part #5-1879075-2
THS25 4K7 5%



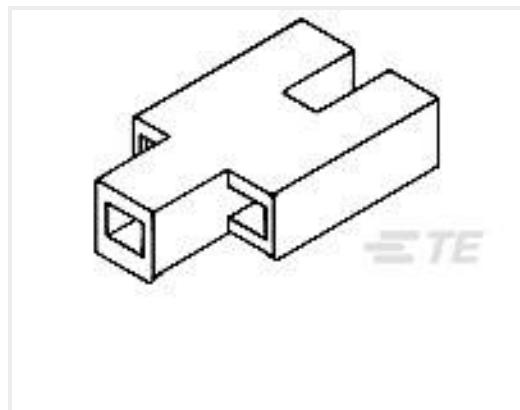
TE Part #521120-7
PL 250 HOUSING RECEPTACLE
NYLON 6/6



TE Part #1217113-1
PL 187 TERMINAL RECEPTACLE 22-18
AWG BR



TE Part #140760-2
250 FASTON,REC.,22-18 AWG,TPPB



TE Part #1380145-1
CLUSTER BLOCK HSG. .090 DIA.



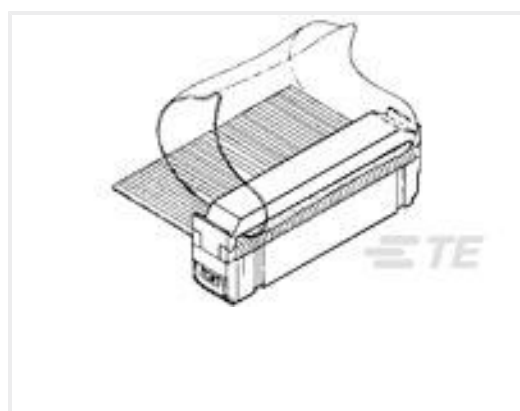
TE Part #2321924-5
RECEPTACLE HOUSING FREE
HANGING 5PIN



TE Part #9-1768017-1
EET-0820G-4



TE Part #2232327-1
CLUSTER BLOCK HSG .090 DIA



TE Part #5088450-9
PULL LOOP, CUT LENGTH 1.82 IN

Documents

Product Drawings

[250 FASTON,REC.,17-14 AWG,TPPB](#)

English

CAD Files

Customer View Model

[ENG_CVM_CVM_3-160256-1_CT.2d_dxf.zip](#)

English

[3D PDF](#)



3D

Customer View Model

[ENG_CVM_CVM_3-160256-1_CT.3d_igs.zip](#)

English

Customer View Model

[ENG_CVM_CVM_3-160256-1_CT.3d_stp.zip](#)

English

By downloading the CAD file I accept and agree to the [Terms and Conditions](#) of use.

Datasheets & Catalog Pages

[1654742_HOUSEHOLD_APPLIANCES_RAST5](#)

English

Product Specifications

[Application Specification](#)

English

[Application Specification](#)

English

Agency Approvals

[UL Report](#)

English