

52454 ✓ ACTIVE

PLASTI-GRIP

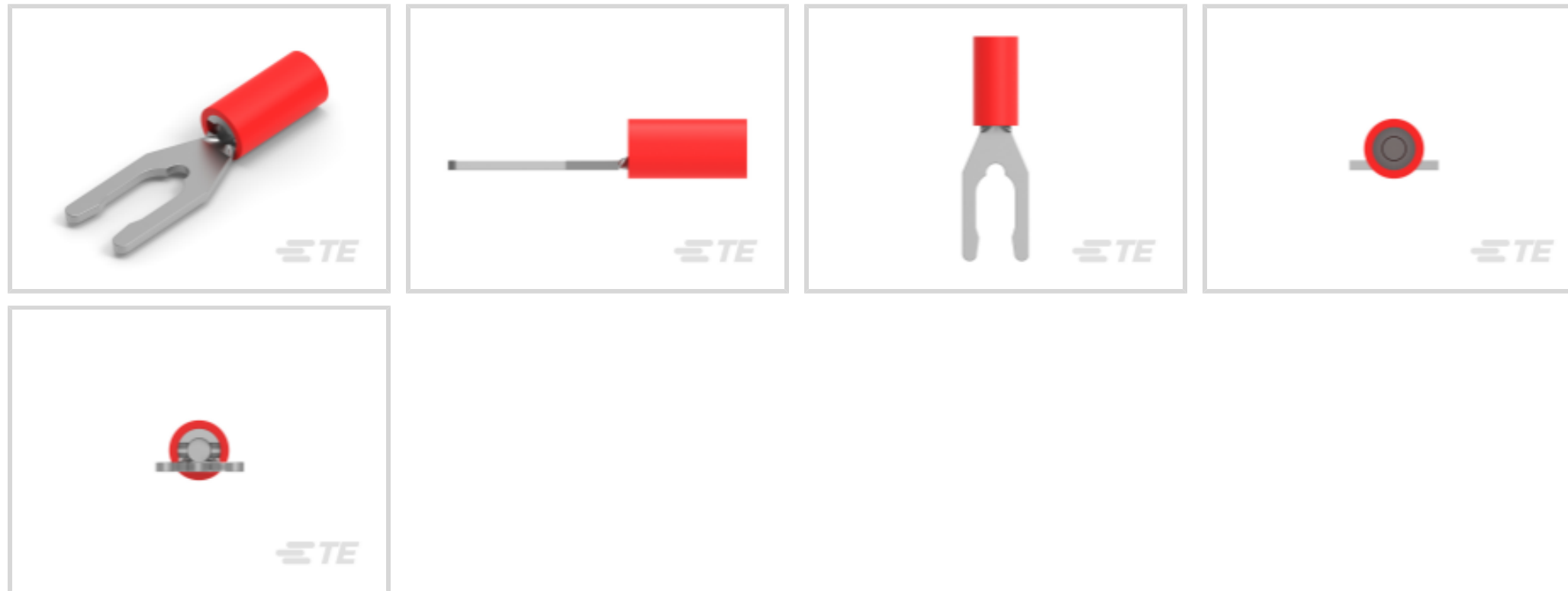
TE Internal #: 52454

Spring Spade Terminal, 22 – 16 AWG, #8 / M4 Stud, 4.17 mm [.164 in] Stud Diameter, Closed Barrel, Straight, Tin Plating, PLASTI-GRIP

[View on TE.com >](#)



Terminals & Splices > Spade Terminals



Spade Terminal Type: **Spring Spade Terminal**

Wire Size: **509 – 3260 CMA**

Stud Size: **#8, M4**

Features

Product Type Features

| | |
|--|--------------------|
| Stud Size | #8, M4 |
| Sealable | No |
| Wire Insulation Support Retention Type | Insulation Support |

Electrical Characteristics

| | |
|----------------|-------|
| Voltage Rating | 600 V |
|----------------|-------|

Body Features

| | |
|-------------------------|-----|
| Insulation Sleeve Color | Red |
| Stripe Color | Red |

Contact Features

| | |
|---------------------------|-----------------------|
| Spade Terminal Type | Spring Spade Terminal |
| Barrel Type | Closed |
| Terminal Orientation | Straight |
| Terminal Plating Material | Tin |

Mechanical Attachment

| | |
|-------------------------|------|
| Wire Insulation Support | With |
|-------------------------|------|



Dimensions

| | |
|--------------------------------------|--------------------------------|
| Wire Size | 509 – 3260 CMA |
| Stud Diameter | 4.17 mm [.164 in] |
| Tongue Thickness | .79 mm [.031 in] |
| Product Length | 25.17 mm [.991 in] |
| Compatible Insulation Diameter (Max) | 3.56 mm [.14 in] |
| Compatible Insulation Diameter Range | 2.67 – 3.56 mm [.105 – .14 in] |

Usage Conditions

| | |
|-------------------|---------------------|
| Insulation Option | Partially Insulated |
|-------------------|---------------------|

Operation/Application

| | |
|---------------------------------------|--------|
| Compatible With Wire Base Material | Copper |
| Compatible With Wire Plating Material | Tin |

Industry Standards

| | |
|-------------------------------|----|
| Government Qualified Terminal | No |
|-------------------------------|----|

Packaging Features

| | |
|--------------------|-------------|
| Packaging Quantity | 1000 |
| Packaging Method | Loose Piece |

Product Compliance

[For compliance documentation, visit the product page on TE.com>](#)

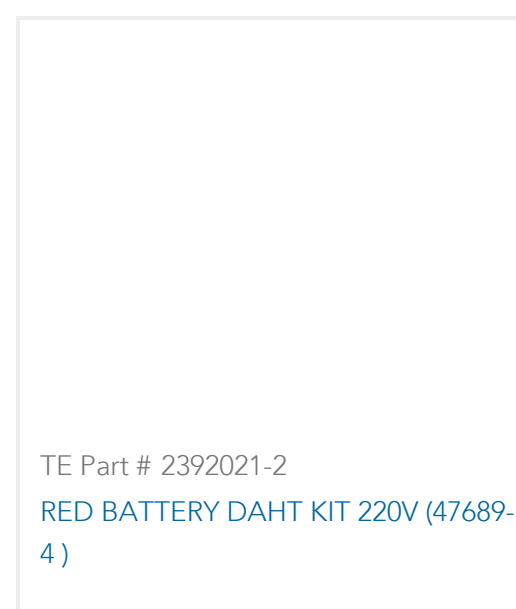
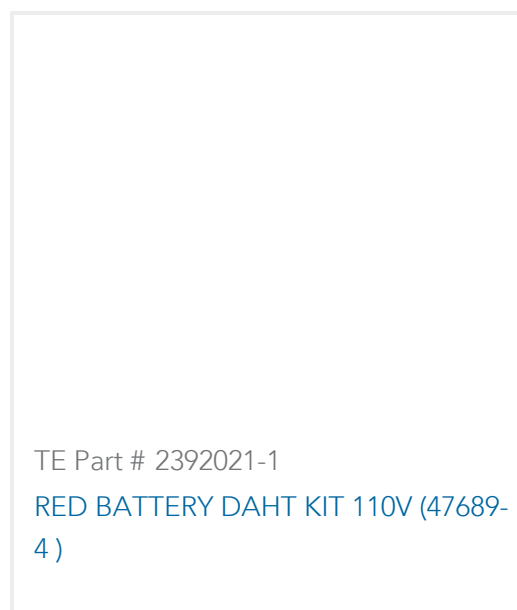
| | |
|---|---|
| EU RoHS Directive 2011/65/EU | Compliant |
| EU ELV Directive 2000/53/EC | Compliant |
| China RoHS 2 Directive MIIT Order No 32, 2016 | No Restricted Materials Above Threshold |
| EU REACH Regulation (EC) No. 1907/2006 | Current ECHA Candidate List: JAN 2025 (247) Candidate List Declared Against: JAN 2025 (247) Does not contain REACH SVHC |
| Halogen Content | Not Low Halogen - contains Br or Cl > 900 ppm. |
| Solder Process Capability | Not applicable for solder process capability |

Product Compliance Disclaimer

This information is provided based on reasonable inquiry of our suppliers and represents our current actual knowledge based on the information they provided. This information is subject to change. The part numbers that TE has identified as EU RoHS compliant have a maximum concentration of 0.1% by weight in homogenous materials for lead, hexavalent

chromium, mercury, PBB, PBDE, DBP, BBP, DEHP, DIBP, and 0.01% for cadmium, or qualify for an exemption to these limits as defined in the Annexes of Directive 2011/65/EU (RoHS2). Finished electrical and electronic equipment products will be CE marked as required by Directive 2011/65/EU. Components may not be CE marked. Additionally, the part numbers that TE has identified as EU ELV compliant have a maximum concentration of 0.1% by weight in homogenous materials for lead, hexavalent chromium, and mercury, and 0.01% for cadmium, or qualify for an exemption to these limits as defined in the Annexes of Directive 2000/53/EC (ELV). Regarding the REACH Regulation, the information TE provides on SVHC in articles for this part number is based on the latest European Chemicals Agency (ECHA) 'Guidance on requirements for substances in articles' posted at this URL: <https://echa.europa.eu/guidance-documents/guidance-on-reach>

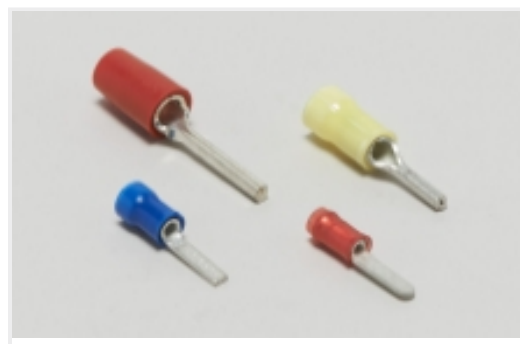
Compatible Parts



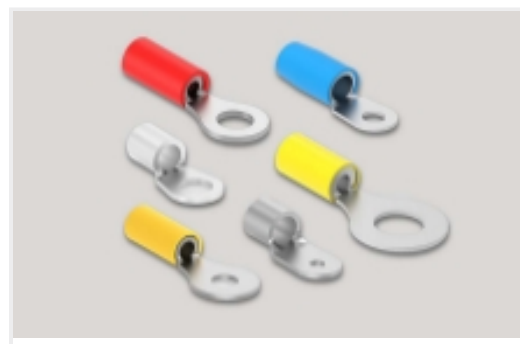
Also in the Series | **PLASTI-GRIP**



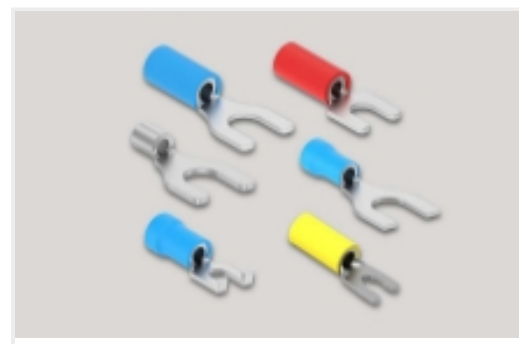
Compression Connectors(3)



Crimp Wire Pins, Tabs & Ferrules(20)



Ring Terminals(310)



Spade Terminals(158)

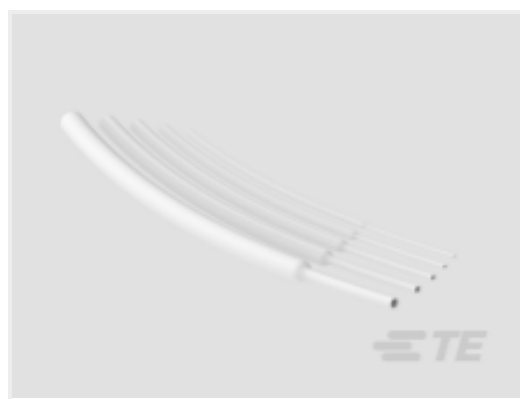


Splices(45)

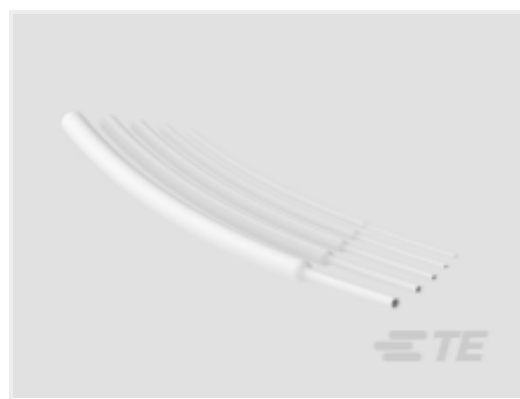
Customers Also Bought



TE Part #3-640433-6
06P MTA156 CONN ASSY 22AWG RED



TE Part #EL93382001
VERSAFIT-3/16-9-STK



TE Part #NB14614001
VERSAFIT-3/8-9-SP



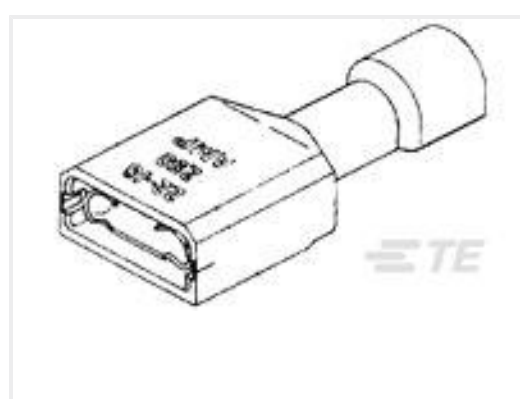
TE Part #58495-1
PRO CRIMPER ASSY MULTIMATE



TE Part #794957-3
VAL-U-LOK PIN PHBR SN 22-26AWG



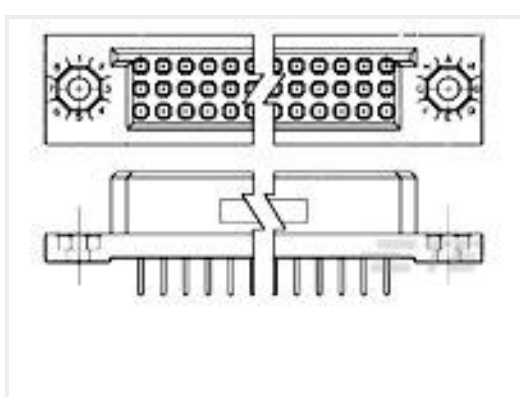
TE Part #YDTS26W11-35PAC001
PLUG ASSY



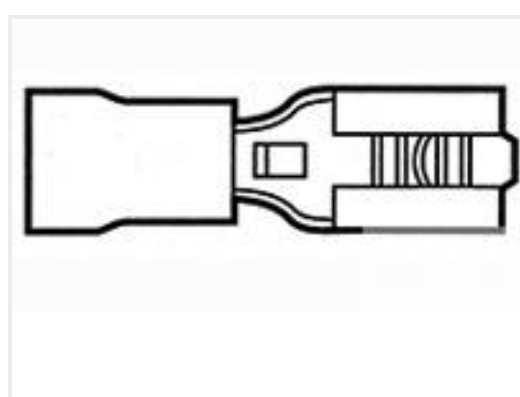
TE Part #2-520184-4
ULTRAFast 250 ASSY REC 22-18 TPBR LP



TE Part #2213765-9
AV19 SPM 3A SPOT LED YELLOW 12V TPBR LP



TE Part #533287-4
BOX II ASSY 105 POS W/SOLD TL



TE Part #9-160481-1
4,8 PIDG FASTON REC

Documents



Product Drawings

[PG SPR SPD 22-16COMM 22-18MIL8](#)

English

CAD Files

[3D PDF](#)

3D

Customer View Model

[ENG_CVM_CVM_52454_J.2d_dxf.zip](#)

English

Customer View Model

[ENG_CVM_CVM_52454_J.3d_igs.zip](#)

English

Customer View Model

[ENG_CVM_CVM_52454_J.3d_stp.zip](#)

English

By downloading the CAD file I accept and agree to the [Terms and Conditions](#) of use.

Product Specifications

[Application Specification](#)

English

Agency Approvals

[UL Report](#)

English

[UL Report](#)

English