



Application Tooling > Hand Crimping Tools



Tool Grade: **Commercial Crimp Tooling**

Ratchet Configuration: **Operator Releasable & Adjustable**

Die Sets Type: **Removable/Interchangeable**

Specification Type: **TE Product Specification (114-)**

TE Certification: **Upon Request for Fee**

## Features

### Other

Crimp Form-Wire Barrel Type	Open Barrel - F Crimp
Tool Grade	Commercial Crimp Tooling
Ratchet Configuration	Operator Releasable & Adjustable
Die Sets Type	Removable/Interchangeable
Specification Type	TE Product Specification (114-)
TE Certification	Upon Request for Fee
Power Technology Type	Battery, Electric, Manual
Tooling Type	Standard Die Envelope (SDE) Die Set

## Product Compliance

[For compliance documentation, visit the product page on TE.com>](#)

EU RoHS Directive 2011/65/EU	Out of Scope
EU ELV Directive 2000/53/EC	Out of Scope
China RoHS 2 Directive MIIT Order No 32, 2016	Not reviewed for China RoHS compliance
EU REACH Regulation (EC) No. 1907/2006	Current ECHA Candidate List: JAN 2025 (247) Candidate List Declared Against: JAN 2025 (247) SVHC > Threshold: Pb (2% in 4745822)



**Article Safe Usage Statements:**

Do not eat, drink or smoke when using this product. Wash thoroughly after handling. Recycle if possible and dispose of the article by following all applicable governmental regulations relevant to your geographic location.

Halogen Content

Not Yet Reviewed for halogen content

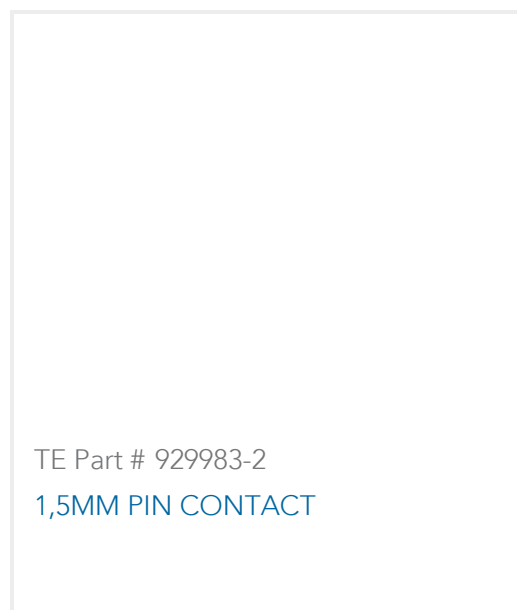
Solder Process Capability

Not applicable for solder process capability

**Product Compliance Disclaimer**

This information is provided based on reasonable inquiry of our suppliers and represents our current actual knowledge based on the information they provided. This information is subject to change. The part numbers that TE has identified as EU RoHS compliant have a maximum concentration of 0.1% by weight in homogenous materials for lead, hexavalent chromium, mercury, PBB, PBDE, DBP, BBP, DEHP, DIBP, and 0.01% for cadmium, or qualify for an exemption to these limits as defined in the Annexes of Directive 2011/65/EU (RoHS2). Finished electrical and electronic equipment products will be CE marked as required by Directive 2011/65/EU. Components may not be CE marked. Additionally, the part numbers that TE has identified as EU ELV compliant have a maximum concentration of 0.1% by weight in homogenous materials for lead, hexavalent chromium, and mercury, and 0.01% for cadmium, or qualify for an exemption to these limits as defined in the Annexes of Directive 2000/53/EC (ELV). Regarding the REACH Regulation, the information TE provides on SVHC in articles for this part number is based on the latest European Chemicals Agency (ECHA) 'Guidance on requirements for substances in articles' posted at this URL: <https://echa.europa.eu/guidance-documents/guidance-on-reach>

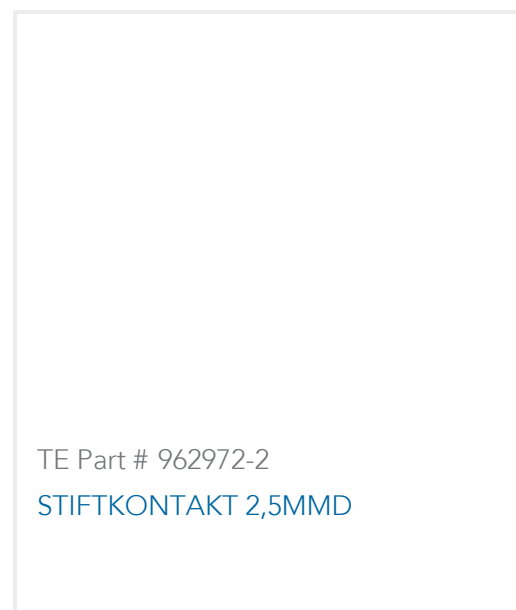
## Compatible Parts



TE Part # 929983-2  
1,5MM PIN CONTACT



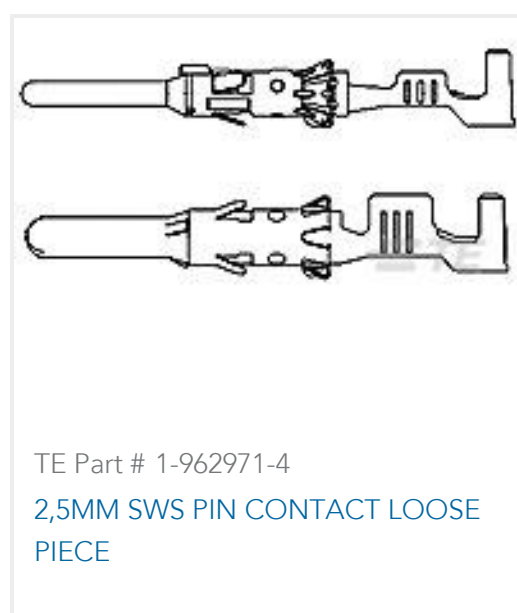
TE Part # 1-929983-2  
STIFTKONTAKT 1,5MMD



TE Part # 962972-2  
STIFTKONTAKT 2,5MMD



TE Part # 1-1719188-0  
DIA 1.5 SOCK CON,TERMINAL



TE Part # 1-962971-4  
2,5MM SWS PIN CONTACT LOOSE PIECE



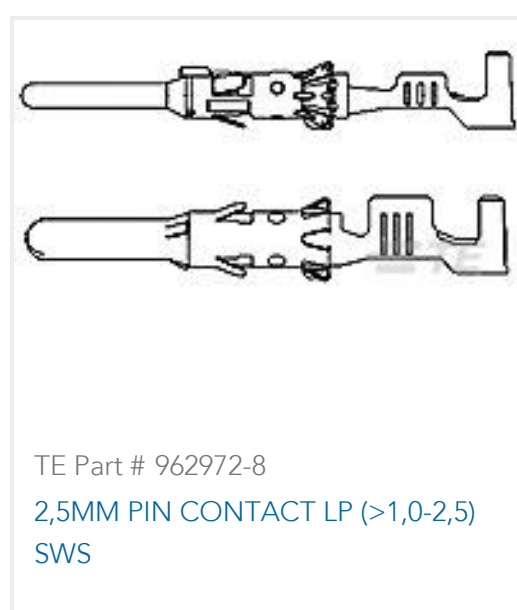
TE Part # 1-929983-1  
STIFTKONTAKT 1,5MMD



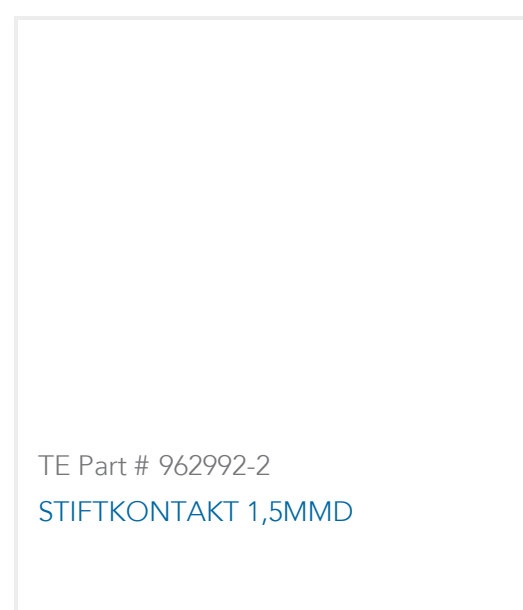
TE Part # 1-929984-2  
STIFTKONTAKT 1,5MMD



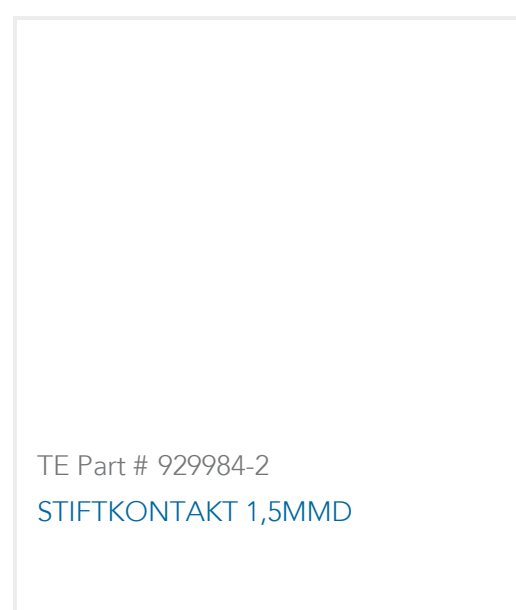
TE Part # 962992-3  
STIFTKONTAKT 1,5MMD



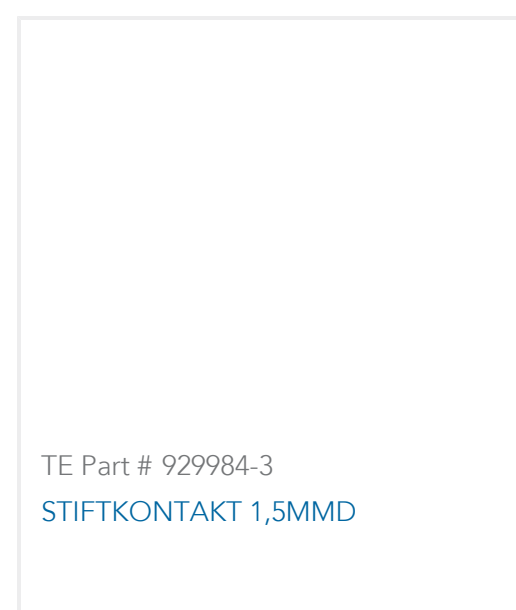
TE Part # 962972-8  
2,5MM PIN CONTACT LP (>1,0-2,5) SWS



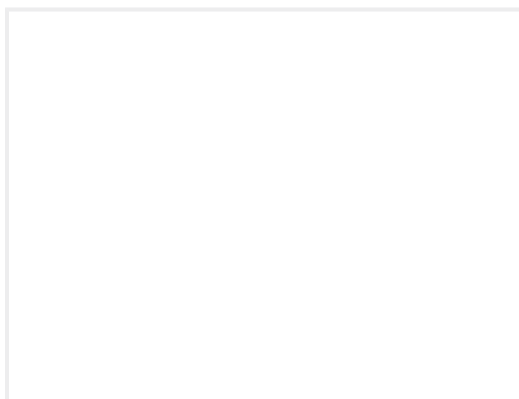
TE Part # 962992-2  
STIFTKONTAKT 1,5MMD



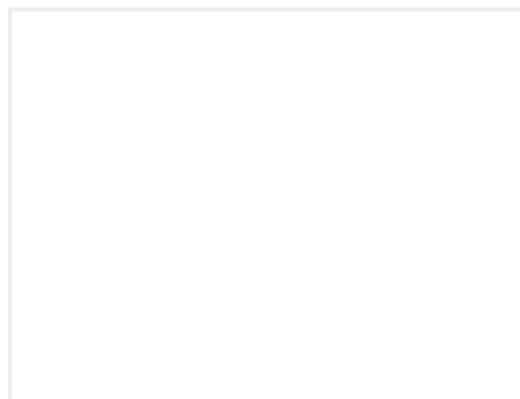
TE Part # 929984-2  
STIFTKONTAKT 1,5MMD



TE Part # 929984-3  
STIFTKONTAKT 1,5MMD



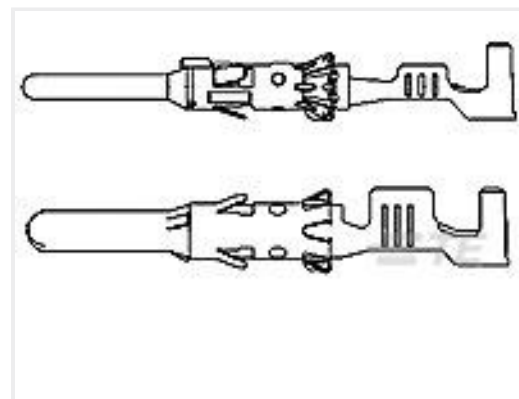
TE Part # 1-962999-0  
1,5MM SOCKET CONTACT LOOSE  
PIECE



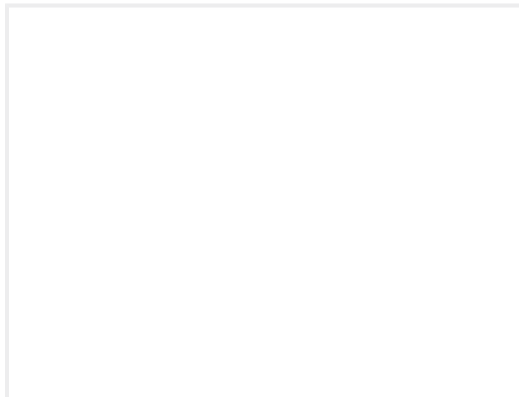
TE Part # 1-929983-3  
STIFTKONTAKT 1,5MMD



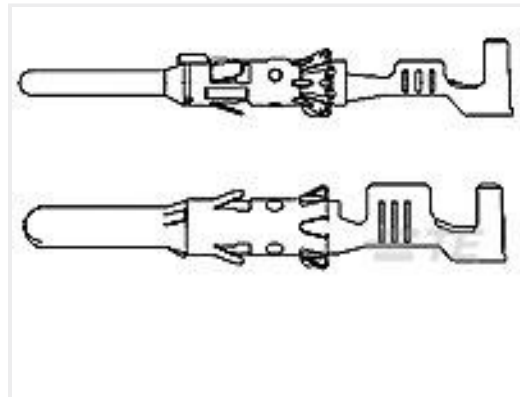
TE Part # CAT-R7602-T273  
ROUND CONNECTOR SYSTEM, PIN  
AND SOCKET



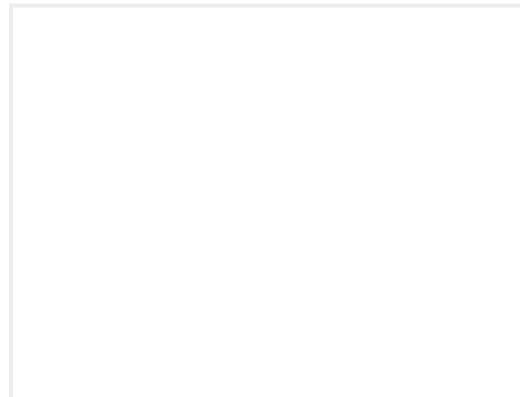
TE Part # 962971-9  
2,5MM PIN CONTACT SWS LOOSE  
PIECE



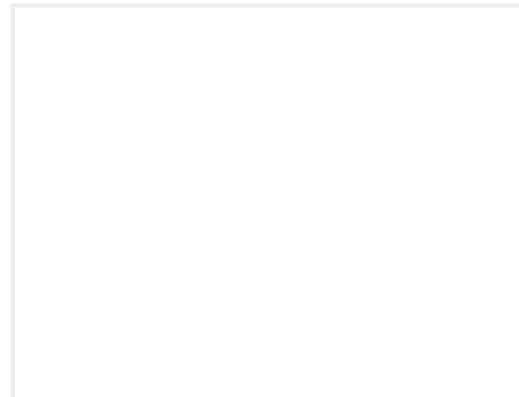
TE Part # 962982-2  
BU-KONTAKT 2,5MMD



TE Part # 962971-2  
STIFTKONTAKT 2,5MMD



TE Part # 8-929974-3  
2,5MM EDS BU-KONT



TE Part # 1-929984-3  
STIFTKONTAKT 1,5MMD

### Customers Also Bought



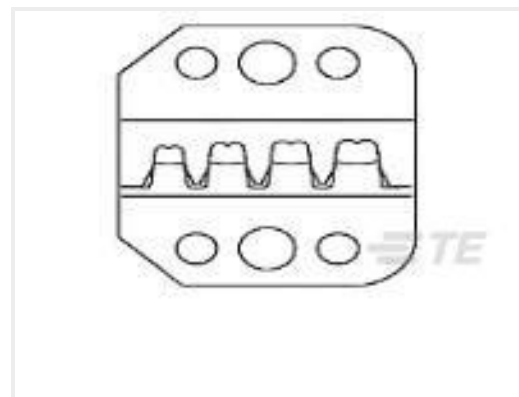
TE Part #354940-1  
PRO-CRIMPER III FRAME W/O DIES



TE Part #745230-4  
20 DF SOCKET CONTACT L.P.



TE Part #965784-1  
connector ABDECKKAPPE 180GRD



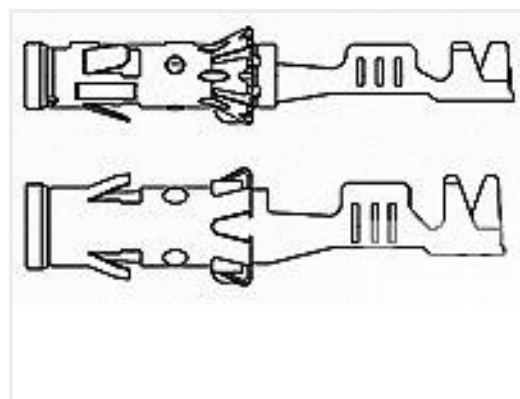
TE Part #58603-2  
PROCRIMP DIE JPT 2.8MM TAB



TE Part #DT06-2S-CE04  
PLG, 2P, GRY, E, XCAP



TE Part #539972-1  
EXTRACTION TOOL



TE Part #929990-1  
1,5MM SOCK CONTACT



TE Part #2390881-2  
SDE F JR PWR TMR 0.5-1.0mm2 DIE  
SET



TE Part #1-967325-3  
2,5MM BU-GEH 2P



TE Part #828920-1  
EINZELADERDICHTUNG

### Documents



**Datasheets & Catalog Pages**

[1-1773865-2\\_1015\\_Commercial Manual Hand Tools](#)

English

**Bottoming Dies**

English

---

**Instruction Sheets**

[Instruction Sheet \(U.S.\)](#)

English

[Instruction Sheet \(U.S.\)](#)

English