

6-103957-1 ✓ ACTIVE

AMPMODU | AMPMODU MTE

TE Internal #: 6-103957-1

Connector Assembly, Receptacle, Wire-to-Board, 12 Position, 2.54 mm [.1 in] Centerline, Crimp / Insulation Displacement (IDC), 1 Row, AMPMODU MTE

[View on TE.com >](#)



Connectors > PCB Connectors > Wire-to-Board Connectors > Wire-to-Board Connector Assemblies & Housings



Connector Product Type: **Connector Assembly**

Connector & Housing Type: **Receptacle**

Connector System: **Wire-to-Board**

Number of Positions: **12**

Centerline (Pitch): **2.54 mm [.1 in]**

Features

Product Type Features

| | |
|-----------------------------------|--------------------|
| Applied Pressure | Standard |
| Connector Product Type | Connector Assembly |
| Connector & Housing Type | Receptacle |
| Connector System | Wire-to-Board |
| Sealable | No |
| Connector & Contact Terminates To | Wire & Cable |

Configuration Features

| | |
|---------------------|----|
| Number of Positions | 12 |
| Number of Rows | 1 |

Electrical Characteristics

| | |
|---------------------------------------|---------|
| Termination Resistance | 15 mΩ |
| Insulation Resistance | 5000 MΩ |
| Operating Voltage | 267 V |
| Dielectric Withstanding Voltage (Max) | 600 VAC |



Body Features

| | |
|-----------------------|-------|
| Primary Product Color | Black |
|-----------------------|-------|

Contact Features

| | |
|--|-----------------|
| Contact Retention Within Housing | With |
| PCB Contact Termination Area Plating Material Finish | Matte |
| Contact Layout | Inline |
| Contact Base Material | Phosphor Bronze |
| PCB Contact Termination Area Plating Material | Tin |
| Contact Type | Socket |
| Contact Current Rating (Max) | 3 A |

Termination Features

| | |
|------------------------------------|--------------------------------------|
| Termination Method to Wire & Cable | Crimp, Insulation Displacement (IDC) |
|------------------------------------|--------------------------------------|

Mechanical Attachment

| | |
|---------------------------------------|----------------------------|
| Strain Relief | Without |
| Panel Mount Feature | Without |
| Mating Retention Type | Latch |
| PCB Mount Retention | Without |
| Contact Retention Type Within Housing | Locking Lance |
| Mating Retention | With |
| Connector Mounting Type | Cable Mount (Free-Hanging) |

Housing Features

| | |
|--------------------|-----------------|
| Housing Material | Thermoplastic |
| Centerline (Pitch) | 2.54 mm [.1 in] |

Dimensions

| | |
|--------------------------------------|-------------------|
| Compatible Insulation Diameter Range | 1.37 mm [.054 in] |
| Connector Height | 6.73 mm [.265 in] |
| Wire Size | 26 – 22 AWG |
| Connector Length | 60.96 mm [2.4 in] |

Usage Conditions

| | |
|-----------------------------|-----------------------------|
| Operating Temperature Range | -65 – 105 °C [-85 – 221 °F] |
|-----------------------------|-----------------------------|

Operation/Application

| | |
|---------------------|--------|
| Circuit Application | Signal |
|---------------------|--------|



Industry Standards

| | |
|---|-------------------------------|
| UL Flammability Rating | UL 94V-0 |
| Compatible With Approved Standards Products | CSA LR7189, UL E28476 |
| Glow Wire Rating | Standard Part - Not Glow Wire |

Packaging Features

| | |
|--------------------|------|
| Packaging Quantity | 18 |
| Packaging Method | Tube |

Product Compliance

[For compliance documentation, visit the product page on TE.com>](#)

| | |
|---|---|
| EU RoHS Directive 2011/65/EU | Compliant |
| EU ELV Directive 2000/53/EC | Compliant |
| China RoHS 2 Directive MIIT Order No 32, 2016 | No Restricted Materials Above Threshold |
| EU REACH Regulation (EC) No. 1907/2006 | Current ECHA Candidate List: JAN 2025 (247) Candidate List Declared Against: JAN 2025 (247) Does not contain REACH SVHC |
| Halogen Content | Not Low Halogen - contains Br or Cl > 900 ppm. |
| Solder Process Capability | Not applicable for solder process capability |

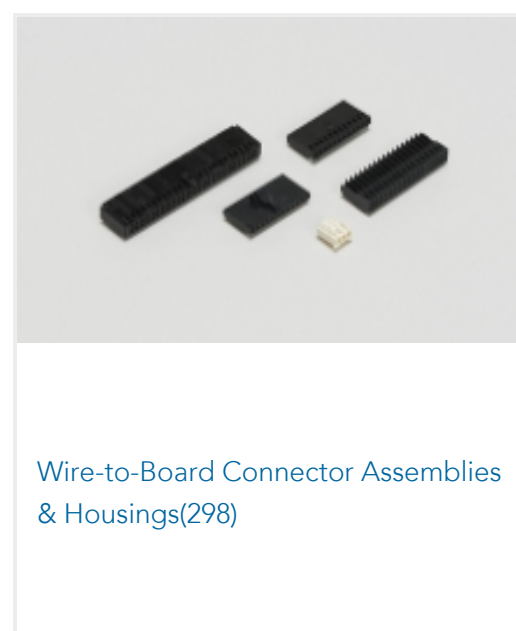
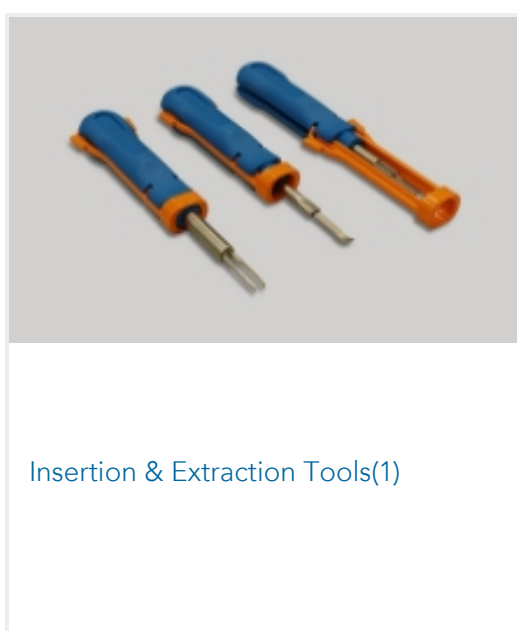
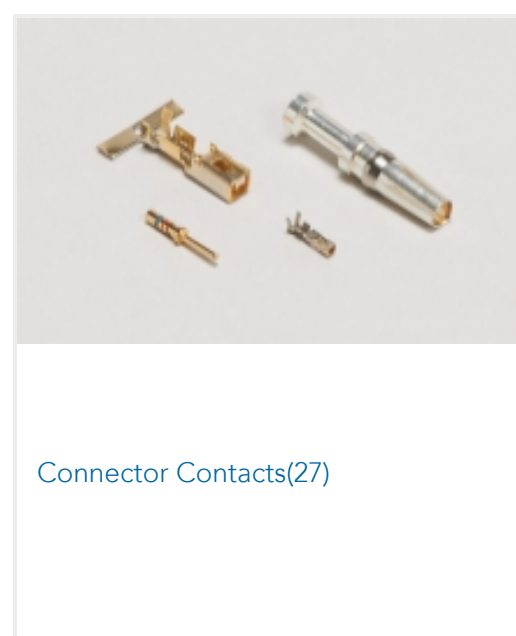
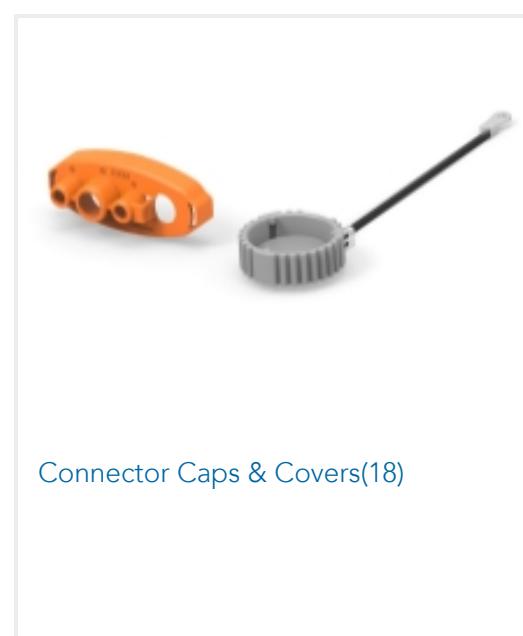
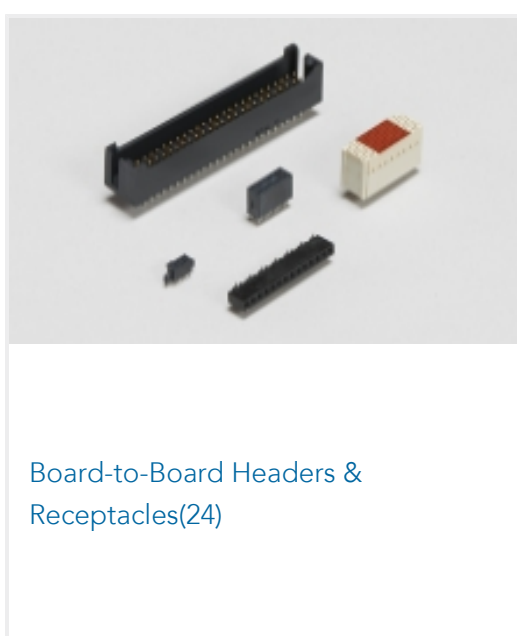
Product Compliance Disclaimer

This information is provided based on reasonable inquiry of our suppliers and represents our current actual knowledge based on the information they provided. This information is subject to change. The part numbers that TE has identified as EU RoHS compliant have a maximum concentration of 0.1% by weight in homogenous materials for lead, hexavalent chromium, mercury, PBB, PBDE, DBP, BBP, DEHP, DIBP, and 0.01% for cadmium, or qualify for an exemption to these limits as defined in the Annexes of Directive 2011/65/EU (RoHS2). Finished electrical and electronic equipment products will be CE marked as required by Directive 2011/65/EU. Components may not be CE marked. Additionally, the part numbers that TE has identified as EU ELV compliant have a maximum concentration of 0.1% by weight in homogenous materials for lead, hexavalent chromium, and mercury, and 0.01% for cadmium, or qualify for an exemption to these limits as defined in the Annexes of Directive 2000/53/EC (ELV). Regarding the REACH Regulation, the information TE provides on SVHC in articles for this part number is based on the latest European Chemicals Agency (ECHA) 'Guidance on requirements for substances in articles' posted at this URL: <https://echa.europa.eu/guidance-documents/guidance-on-reach>

Compatible Parts



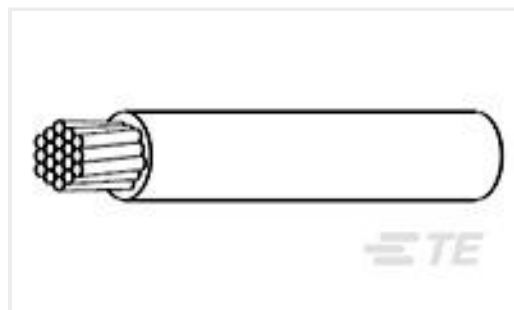
Also in the Series | **AMPMODU MTE**



Customers Also Bought



TE Part #5-103957-1
10X2 MTE RCPT SR LATCH .100CL



TE Part #042113-000
FLTWC0311-22-2



TE Part #5-103960-7
2X8 MTE RCPT SR LATCH .100CL



TE Part #66358-9
III+ SKT, 18-14, 15AU/FL, STRIP



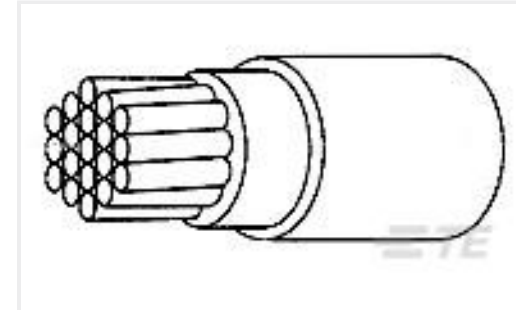
TE Part #5-103960-1
10X2 MTE RCPT SR LATCH .100CL



TE Part #5650479-5
ASSY, PIN, EUROCARD, TYPE R/2, LEAD-FREE, 48



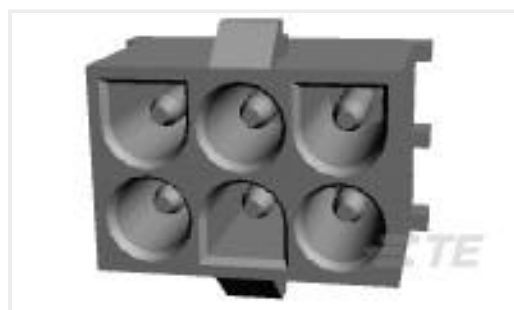
TE Part #1622796-9
YR1 0.1% 12K7



TE Part #2214173001
100G0111-0.25-0



TE Part #207890-2
CPC RECPT REV SEX 23-37



TE Part #350711-4
06P UMNL PIN HDR ASSY 94VO LF

Documents

Product Drawings

[2X12 MTE RCPT SR LATCH .100CL](#)

English

CAD Files

[3D PDF](#)

English

Customer View Model

[ENG_CVM_6-103957-1_N.2d_dxf.zip](#)

English

Customer View Model

[ENG_CVM_6-103957-1_N.3d_igs.zip](#)

English

Customer View Model

[ENG_CVM_6-103957-1_N.3d_stp.zip](#)

English

[3D PDF](#)

3D



Customer View Model

[ENG_CVM_CVM_6-103957-1_P.2d_dxf.zip](#)

English

Customer View Model

[ENG_CVM_CVM_6-103957-1_P.3d_igs.zip](#)

English

Customer View Model

[ENG_CVM_CVM_6-103957-1_P.3d_stp.zip](#)

English

By downloading the CAD file I accept and agree to the [Terms and Conditions](#) of use.

Datasheets & Catalog Pages

[AMP MODU MTE Section of Catalog 1307819](#)

English

[AMPMODU_INTERCONNECTION_SYSTEM_SECTION5_CONT](#)

English

[AMPMODU MTE INTERCONNECT SYSTEM](#)

English

Product Specifications

[Application Specification](#)

English