

61187-1 ✓ ACTIVE

FASTON | FASTON 250

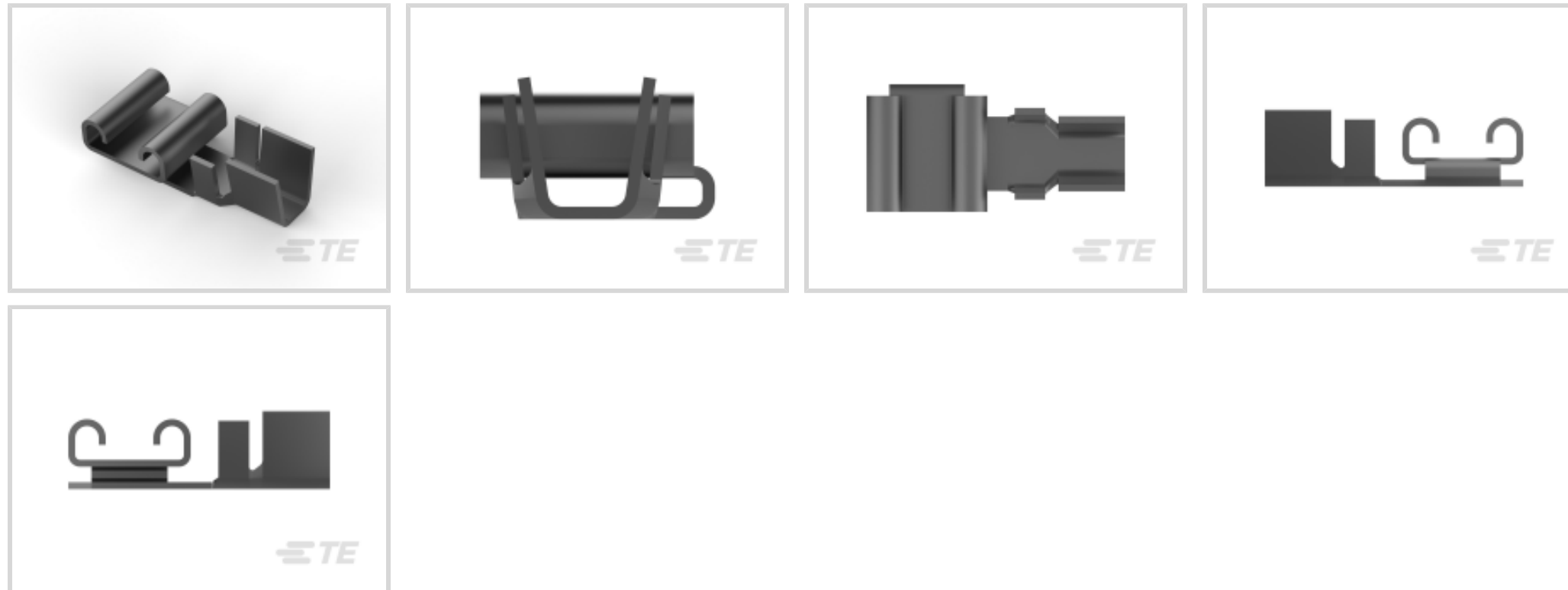
TE Internal #: 61187-1

Quick Disconnect Receptacle, 12 – 10 AWG, 3.31 – 5.26 mm² Wire, 6.35 mm [.25 in] Tab Width, Flag, Phosphor Bronze, Tin Plating, Strip /Reel, FASTON 250

[View on TE.com >](#)



Terminals & Splices > Quick Disconnects



Quick Disconnect Terminal Type: **Receptacle**

Wire Size: **3.31 – 5.26 mm²**

Mating Tab Width: **6.35 mm [.25 in]**

Mating Tab Thickness: **.81 mm [.032 in]**

Features

Product Type Features

Insertion Force	Normal
-----------------	--------

Configuration Features

Compatible With Wire & Cable Type	Discrete Wire
-----------------------------------	---------------

Connection Capacity	Single
---------------------	--------

Contact Features

Quick Disconnect Terminal Type	Receptacle
--------------------------------	------------

Mating Tab Width	6.35 mm [.25 in]
------------------	------------------

Mating Tab Thickness	.81 mm [.032 in]
----------------------	------------------

Terminal Orientation	Flag
----------------------	------

Contact Base Material	Phosphor Bronze
-----------------------	-----------------

Terminal Plating Material	Tin
---------------------------	-----

Crimp Type	F-Crimp
------------	---------

Barrel Type	Open
-------------	------

Termination Features



Product Terminates To	Wire & Cable
-----------------------	--------------

Mechanical Attachment

Wire Insulation Support	With
Mating Retention Type	Dimple

Dimensions

Product Length	16.26 mm[.64 in]
Compatible Insulation Diameter Range	3.3 – 4.32 mm[.13 – .17 in]
Terminal Material Thickness	.46 mm[.018 in]
Wire Size	3.31 – 5.26 mm ²

Usage Conditions

Insulation Option	Uninsulated
Operating Temperature Range	-40 – 110 °C[-40 – 230 °F]

Industry Standards

Compatible With Agency/Standards Products	UL
---	----

Packaging Features

Packaging Quantity	2500
Packaging Method	Strip/Reel

Other

Line	Premier
------	---------

Product Compliance

[For compliance documentation, visit the product page on TE.com>](#)

EU RoHS Directive 2011/65/EU	Compliant
EU ELV Directive 2000/53/EC	Compliant
China RoHS 2 Directive MIIT Order No 32, 2016	No Restricted Materials Above Threshold
EU REACH Regulation (EC) No. 1907/2006	Current ECHA Candidate List: JAN 2025 (247) Candidate List Declared Against: JAN 2025 (247) Does not contain REACH SVHC
Halogen Content	Low Halogen - Br, Cl, F, I < 900 ppm per homogenous material. Also BFR/CFR/PVC Free
Solder Process Capability	Not applicable for solder process capability

Product Compliance Disclaimer

This information is provided based on reasonable inquiry of our suppliers and represents our current actual knowledge based on the information they provided. This information is subject to change. The part numbers that TE has identified as EU RoHS compliant have a maximum concentration of 0.1% by weight in homogenous materials for lead, hexavalent chromium, mercury, PBB, PBDE, DBP, BBP, DEHP, DIBP, and 0.01% for cadmium, or qualify for an exemption to these limits as defined in the Annexes of Directive 2011/65/EU (RoHS2). Finished electrical and electronic equipment products will be CE marked as required by Directive 2011/65/EU. Components may not be CE marked. Additionally, the part numbers that TE has identified as EU ELV compliant have a maximum concentration of 0.1% by weight in homogenous materials for lead, hexavalent chromium, and mercury, and 0.01% for cadmium, or qualify for an exemption to these limits as defined in the Annexes of Directive 2000/53/EC (ELV). Regarding the REACH Regulation, the information TE provides on SVHC in articles for this part number is based on the latest European Chemicals Agency (ECHA) 'Guidance on requirements for substances in articles' posted at this URL: <https://echa.europa.eu/guidance-documents/guidance-on-reach>

Compatible Parts



TE Part # 62057-5
250 FASTON FLAG REC 12-10 AWG
TPBZ



TE Part # 42563-2
250 FASTON FLAG REC 12-10 AWG
TPBR



TE Part # 567140-2
M SMPR140F190FKSA



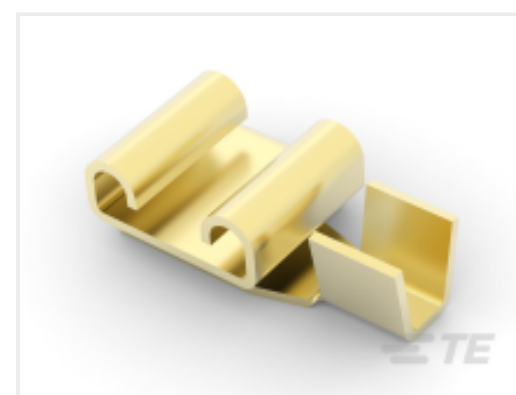
TE Part # 62057-8
250 FASTON FLAG REC 12-10 AWG
TPBZ



TE Part # 42563-8
250 FASTON FLAG REC 12-10 AWG
TPBZ



TE Part # 63647-3
250 FASTON FLAG REC 18-14 AWG
TPBR



TE Part # 63647-1
250 FASTON FLAG REC 18-14 AWG
BR



TE Part # 60851-1
250 FASTON REC 12-10 AWG TPBR



TE Part # 2482840-1
250 REV FLAG FASTON REC12-
10TPHBZ



TE Part # 41800
250 FASTON FLAG REC 18-12 AWG
TPBZ



TE Part # 63137-1
250 FASTON FLAG REC 20-16 AWG
TPBZ

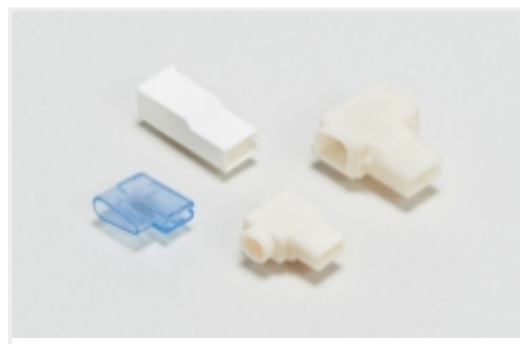


TE Part # 61188-1
250 FASTON FLAG REC 16-12 AWG
TPBZ

Also in the Series | **FASTON 250**



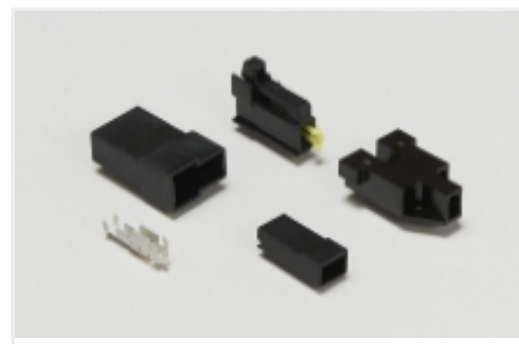
Compression Connectors(4)



Crimp Terminal Housings(116)



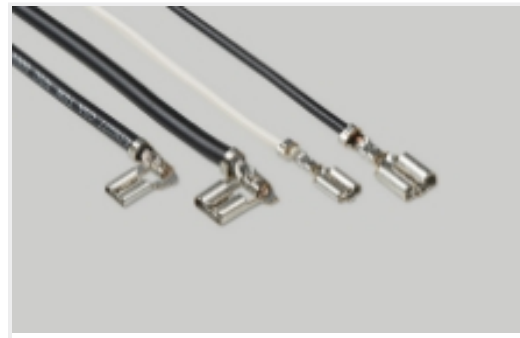
Insulation Boots & Sleeves(16)



Magnet Wire Terminals(1)



PCB Terminals(134)



Quick Disconnects(421)



Splices(4)

Customers Also Bought



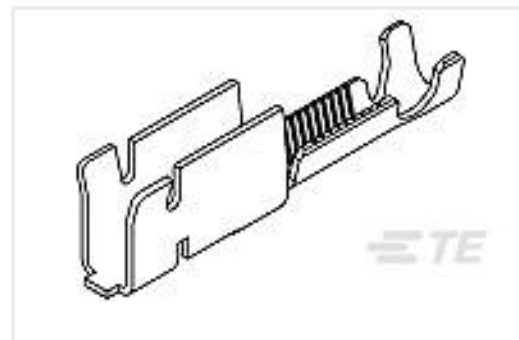
TE Part #2381807-2
TRI-SLOT MAG-MATE, SLIM LINE



TE Part #4-1630012-0
HSC150 200R 5%



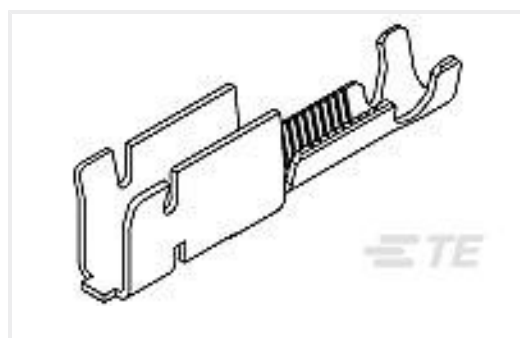
TE Part #1394759-1
MAG MATE CONT.MKII



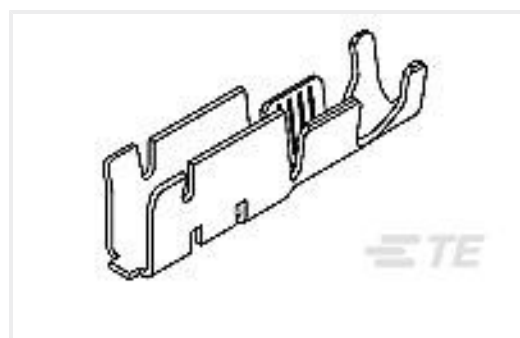
TE Part #63455-1
Cluster Block Recept Amplivar 4000-8500



TE Part #2381807-6
TRI-SLOT MAG-MATE, SLIM LINE



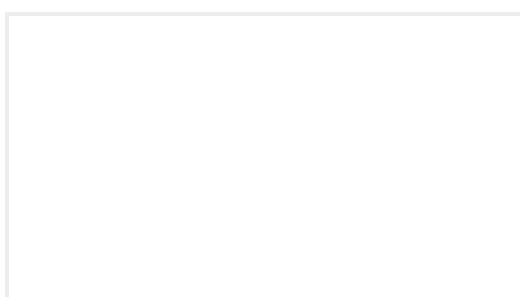
TE Part #63453-1
Cluster Block Recept Amplivar 400-1600



TE Part #62243-3
125 PIN RECEPTACLE 14-10



TE Part #60274-5
250 FASTON FLAG REC 18-12 AWG TPBR



TE Part #2990000-2
TERMINAL,POKE-IN,300BOX 2 SLOT MAG-MATE



TE Part #A85745-000
V4-0.6-0-SP

Documents



Product Drawings

250 FASTON FLAG REC 12-10 AWG PHBZ

Japanese

CAD Files

Customer View Model

[ENG_CVM_CVM_61187-1_P.2d_dxf.zip](#)

English

3D PDF

3D

Customer View Model

[ENG_CVM_CVM_61187-1_P.3d_igs.zip](#)

English

Customer View Model

[ENG_CVM_CVM_61187-1_P.3d_stp.zip](#)

English

By downloading the CAD file I accept and agree to the [Terms and Conditions](#) of use.

Datasheets & Catalog Pages

82004 FASTON Terminals (Insulated and Uninsulated) Catalog - FASTON Receptacles Section

English

Product Specifications

Application Specification

German

Application Specification

English

Instruction Sheets

Instruction Sheet (U.S.)

English

Agency Approvals

UL Report

English