

640416-1 ✓ ACTIVE

FASTIN-FASTON | FASTIN-FASTON 250

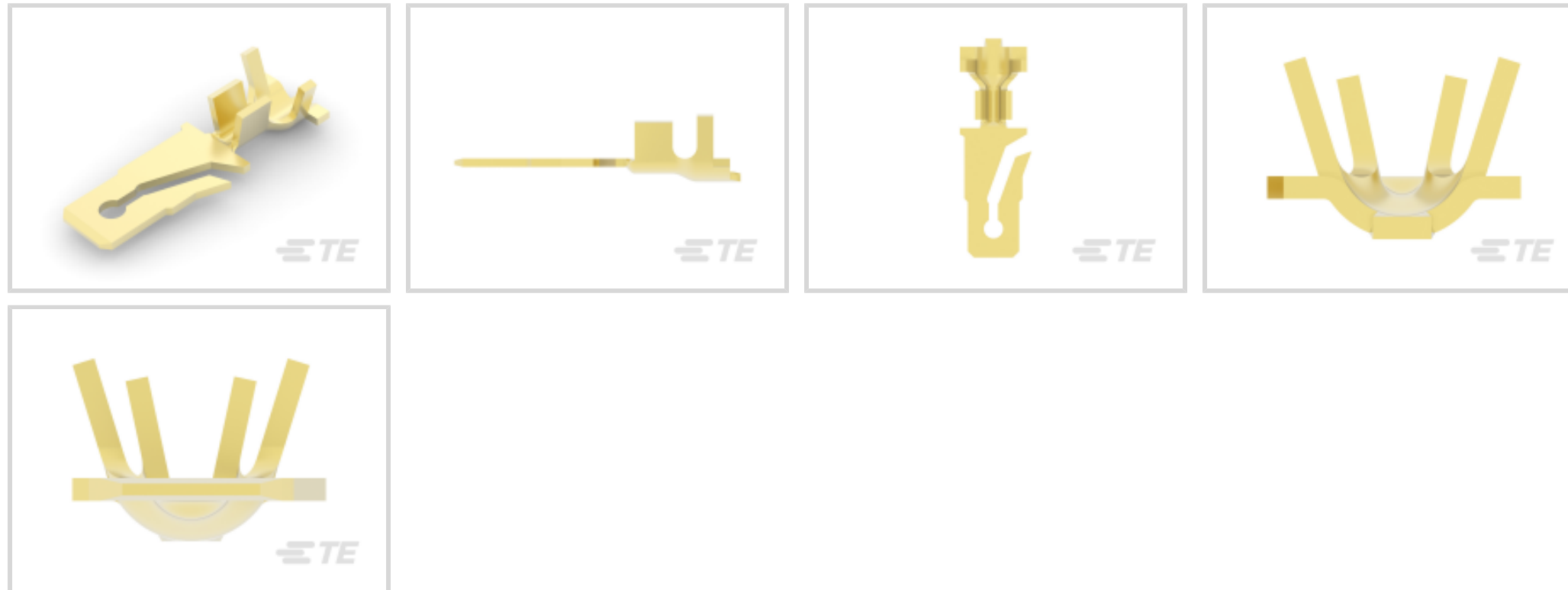
TE Internal #: 640416-1

Quick Disconnect Tab, 18 – 14 AWG, .82 – 2.08 mm<sup>2</sup> Wire, 6.35 mm [.25 in] Tab Width, Straight, Brass, Unplated Plating, Strip/Reel, FASTIN-FASTON 250

[View on TE.com >](#)



Terminals & Splices > Quick Disconnects



Quick Disconnect Terminal Type: **Tab**

Wire Size: **.82 – 2.08 mm<sup>2</sup>**

Mating Tab Width: **6.35 mm [.25 in]**

Terminal Orientation: **Straight**

## Features

### Configuration Features

Compatible With Wire & Cable Type	Discrete Wire
Connection Capacity	Single

### Contact Features

Quick Disconnect Terminal Type	Tab
Mating Tab Width	6.35 mm [.25 in]
Terminal Orientation	Straight
Contact Base Material	Brass
Terminal Plating Material	Unplated
Crimp Type	F-Crimp
Barrel Type	Open

### Termination Features

Product Terminates To	Wire & Cable
-----------------------	--------------

### Mechanical Attachment

Wire Insulation Support	With
-------------------------	------



### Dimensions

Product Length	25.83 mm[1.015 in]
Compatible Insulation Diameter Range	2.54 – 3.61 mm[.1 – .142 in]
Terminal Material Thickness	.79 mm[.031 in]
Wire Size	.82 – 2.08 mm <sup>2</sup>

### Usage Conditions

Insulation Option	Uninsulated
Operating Temperature Range	-40 – 110 °C[-40 – 230 °F]

### Industry Standards

UL Flammability Rating	UL 94V-0
------------------------	----------

### Packaging Features

Packaging Quantity	2500
Packaging Method	Strip/Reel

### Product Compliance

[For compliance documentation, visit the product page on TE.com>](#)

EU RoHS Directive 2011/65/EU	Compliant
EU ELV Directive 2000/53/EC	Compliant
China RoHS 2 Directive MIIT Order No 32, 2016	No Restricted Materials Above Threshold
EU REACH Regulation (EC) No. 1907/2006	Current ECHA Candidate List: JAN 2025 (247) Candidate List Declared Against: JAN 2025 (247) Does not contain REACH SVHC
Halogen Content	Low Halogen - Br, Cl, F, I < 900 ppm per homogenous material. Also BFR/CFR/PVC Free
Solder Process Capability	Not applicable for solder process capability

#### Product Compliance Disclaimer

This information is provided based on reasonable inquiry of our suppliers and represents our current actual knowledge based on the information they provided. This information is subject to change. The part numbers that TE has identified as EU RoHS compliant have a maximum concentration of 0.1% by weight in homogenous materials for lead, hexavalent chromium, mercury, PBB, PBDE, DBP, BBP, DEHP, DIBP, and 0.01% for cadmium, or qualify for an exemption to these limits as defined in the Annexes of Directive 2011/65/EU (RoHS2). Finished electrical and electronic equipment products will be CE marked as required by Directive 2011/65/EU. Components may not be CE marked. Additionally, the part numbers that TE has identified as EU ELV compliant have a maximum concentration of 0.1% by weight in homogenous materials for lead, hexavalent chromium, and mercury, and 0.01% for cadmium, or qualify for an exemption to these limits as defined in the Annexes of Directive 2000/53/EC (ELV). Regarding the REACH Regulation, the information TE provides on SVHC in articles for this part number is based on the latest European Chemicals Agency (ECHA) 'Guidance on

requirements for substances in articles' posted at this URL: <https://echa.europa.eu/guidance-documents/guidance-on-reach>

## Compatible Parts



TE Part # 2266704-1  
OCEAN\_2.0\_Applicator-S-140F210F-RSM



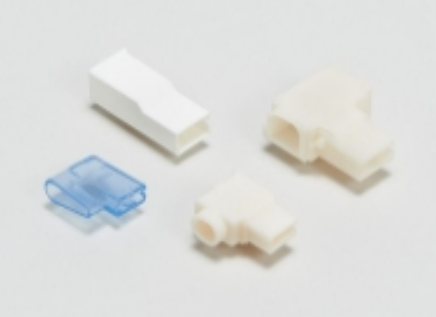
TE Part # 2266704-2  
OCEAN\_2.0\_Applicator-S-140F210FA-RSA




KIT  
REPRESENTATION ONLY

TE Part # 7-2266704-7  
OCEAN\_2.0\_SPARE\_PART\_KIT-140F210F


## Also in the Series | FASTIN-FASTON 250



Crimp Terminal Housings(195)

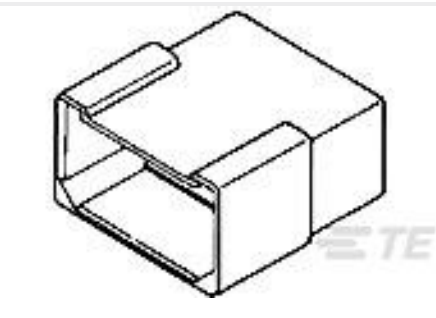


Insertion & Extraction Tools(2)



Quick Disconnects(216)

## Customers Also Bought



TE Part #180906-5  
FF 250 TAB HSG 6P NYLON BLACK



TE Part #1062-16-0177  
SOC, SF, SIZE 16, 14-18, SN/SN



TE Part #2098253-2  
SOC, SF, SIZE 16, 14-16 AWG, NI/SN



TE Part #42946-2  
RING 12-8 AWG TPBR



TE Part #2066046-4  
2 POS MINI FUSE BOX ASSY



TE Part #2292800-3  
AS16,PLUG BACKSHELL KIT,ST,06P, NC12



TE Part #DT04-12PA-E004  
REC, 12P, BLK, N, A



TE Part #640418-2  
BLADE REC 250 18-14AWG TPBR



## Documents

### Product Drawings

[BLADE TAB 250 18-14AWG BR](#)

English

### CAD Files

[3D PDF](#)

3D

Customer View Model

[ENG\\_CVM\\_CVM\\_640416-1\\_T\\_c-640416-1-t.2d\\_dxf.zip](#)

English

Customer View Model

[ENG\\_CVM\\_CVM\\_640416-1\\_T\\_c-640416-1-t.3d\\_igs.zip](#)

English

Customer View Model

[ENG\\_CVM\\_CVM\\_640416-1\\_T\\_c-640416-1-t.3d\\_stp.zip](#)

English

By downloading the CAD file I accept and agree to the [Terms and Conditions](#) of use.

### Datasheets & Catalog Pages

[FASTIN\\_FASTON\\_Product\\_Line](#)

English

### Product Specifications

[Application Specification](#)

English

[Special 250 Blade Terminal](#)

English