

745254-6 ✓ ACTIVE

AMPLIMITE | Circular Plastic Connectors Series 2

TE Internal #: 745254-6

Pin Contact, Gold (Au), Snap-In Contact Retention, Size 20 Contact Size, 26 – 22 AWG, .15 – .4 mm² Wire, Crimp, Circular Plastic Connectors Series 2

[View on TE.com >](#)



Connectors > Contacts > Connector Contacts > D-Sub Connector Contacts: Pin, Brass, Signal, Size 20



Contact Type: **Pin**

Contact Mating Area Plating Material: **Gold (Au)**

Contact Retention Type Within Housing: **Snap-In**

Contact Size: **Size 20**

Wire Size: **26 – 22 AWG**

[All D-Sub Connector Contacts: Pin, Brass, Signal, Size 20 \(45\)](#)

Features

Contact Features

Mating Pin Diameter	1.02 mm[.04 in]
	30 µin
Contact Type	Pin
Contact Mating Area Plating Material	Gold (Au)
Contact Size	Size 20
Contact Base Material	Brass
Contact Current Rating (Max)	2 A

Termination Features

Termination Method to Wire & Cable	Crimp
Product Terminates To	Wire & Cable

Mechanical Attachment

Wire Insulation Support	With
-------------------------	------



Contact Retention Type Within Housing

Snap-In

Dimensions

Compatible Insulation Diameter Range

1.01 – 1.27 mm [.04 – .05 in]

Wire Size

.15 – .4 mm²

Usage Conditions

Operating Temperature Range

-55 – 105 °C [-67 – 221 °F]

Operation/Application

Circuit Application

Signal

Identification Marking

Contact Color Code

Yellow

Packaging Features

Packaging Method

Loose Piece

Packaging Quantity

1000

Product Compliance

[For compliance documentation, visit the product page on TE.com>](#)

EU RoHS Directive 2011/65/EU

Compliant

EU ELV Directive 2000/53/EC

Compliant

China RoHS 2 Directive MIIT Order No 32, 2016

No Restricted Materials Above Threshold

EU REACH Regulation (EC) No. 1907/2006

Current ECHA Candidate List: JAN 2025 (247)
 Candidate List Declared Against: JAN 2025 (247)
 Does not contain REACH SVHC

Halogen Content

Low Halogen - Br, Cl, F, I < 900 ppm per homogenous material. Also BFR/CFR/PVC Free

Solder Process Capability

Not applicable for solder process capability

Product Compliance Disclaimer

This information is provided based on reasonable inquiry of our suppliers and represents our current actual knowledge based on the information they provided. This information is subject to change. The part numbers that TE has identified as EU RoHS compliant have a maximum concentration of 0.1% by weight in homogenous materials for lead, hexavalent chromium, mercury, PBB, PBDE, DBP, BBP, DEHP, DIBP, and 0.01% for cadmium, or qualify for an exemption to these limits as defined in the Annexes of Directive 2011/65/EU (RoHS2). Finished electrical and electronic equipment products will be CE marked as required by Directive 2011/65/EU. Components may not be CE marked. Additionally, the part numbers that TE has identified as EU ELV compliant have a maximum concentration of 0.1% by weight in homogenous materials for lead, hexavalent chromium, and mercury, and 0.01% for cadmium, or qualify for an exemption to these limits as defined in the Annexes of Directive 2000/53/EC (ELV). Regarding the REACH Regulation, the information TE provides on SVHC in articles for this part number is based on the latest European Chemicals Agency (ECHA) 'Guidance on

requirements for substances in articles' posted at this URL: <https://echa.europa.eu/guidance-documents/guidance-on-reach>

Compatible Parts



TE Part # 205838-1
CPC PLUG ASSEMBLY SIZE 11-8



TE Part # 206039-1
CPC PLUG ASSEMBLY SIZE 17-28



TE Part # 206434-1
CPC PLUG ASSEMBLY SIZE 11-8



TE Part # 206226-1
CPC PLUG ASSEMBLY SIZE 23-7



TE Part # 206136-1
CPC PLUG ASSEMBLY SIZE 23-7



TE Part # 206126-1
CPC PLUG ASSEMBLY SIZE 17-28



TE Part # 91285-1
INSERT/EXTRACT TOOL ASSEMBLY



TE Part # 91525-1
CCII AMPLIMITE HDP-20 PIN SKT 26-22 ASSY



TE Part # 1579007-9
EXTRACTION TOOL



TE Part # 206426-1
CPC PLUG ASSEMBLY SIZE 17-3




TE Part # 206437-1
CPC PLUG ASSEMBLY SIZE 23-57




TE Part # 206485-1
CPC PLUG ASSEMBLY SIZE 11-9

Also in the Series | Circular Plastic Connectors Series 2

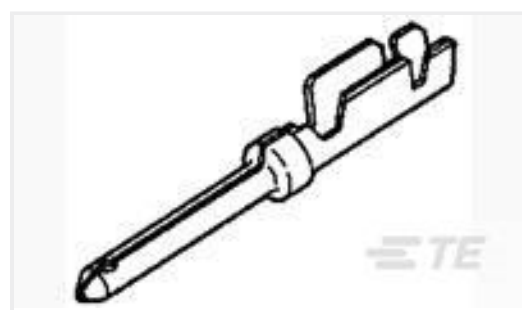


Circular Power Connectors(36)



Connector Contacts(52)

Customers Also Bought



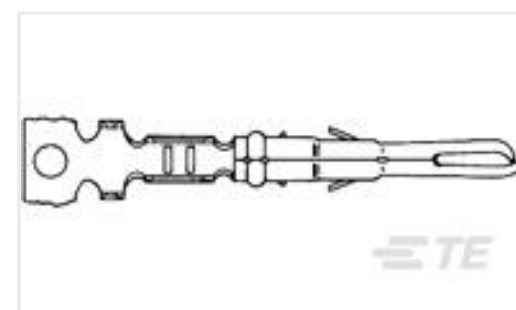
TE Part #1658670-2
PIN CONTACT,22-28 AWG, 22 DF,
AMPLIMITE



TE Part #6-1676915-7
YR1 0.1% 124K



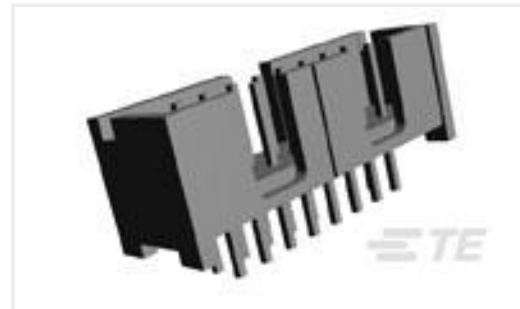
TE Part #66507-9
PIN CONTACT, 20 DF



TE Part #640579-2
MR SPLIT PIN AUPHBRZ LP 26-24



TE Part #5748677-1
PLTD PLST CBL CLMP KIT, SZ 1



TE Part #1-103308-0
050 LOPRO HDR SP 15DP



TE Part #66504-9
SOCKET CONTACT, 20 DF



TE Part #205204-4
CRIMP SNAP PLUG ASSY, SIZE 1



TE Part #207464-2
CRIMP SNAP PLUG ASSY, SZ 3



TE Part #205203-3
CRIMP SNAP RCPT ASSY, SIZE 1

Documents

Product Drawings

[20 DF PIN CONT L.P.](#)

English

CAD Files

[3D PDF](#)

3D

Customer View Model

[ENG_CVM_CVM_745254-6_AE_c-745254-6-ae.2d_dxf.zip](#)

English

Customer View Model

[ENG_CVM_CVM_745254-6_AE_c-745254-6-ae.3d_igs.zip](#)

English

Customer View Model

[ENG_CVM_CVM_745254-6_AE_c-745254-6-ae.3d_stp.zip](#)

English

By downloading the CAD file I accept and agree to the [Terms and Conditions](#) of use.

Datasheets & Catalog Pages



[AMP Circular Connectors for Commercial Signal & Power Applications](#)

English

[Signal Contacts](#)

English

[AMPLIMITE Subminiature D Connectors - Cable Connectors](#)

English

[AMPLIMITE Cable Connectors and Shielding Hardware Kits QRG](#)

English

Product Specifications

[Application Specification](#)

English

[Application Specification](#)

English

Instruction Sheets

[Instruction Sheet \(U.S.\)](#)

English