

8-2399606-2 ✓ ACTIVE



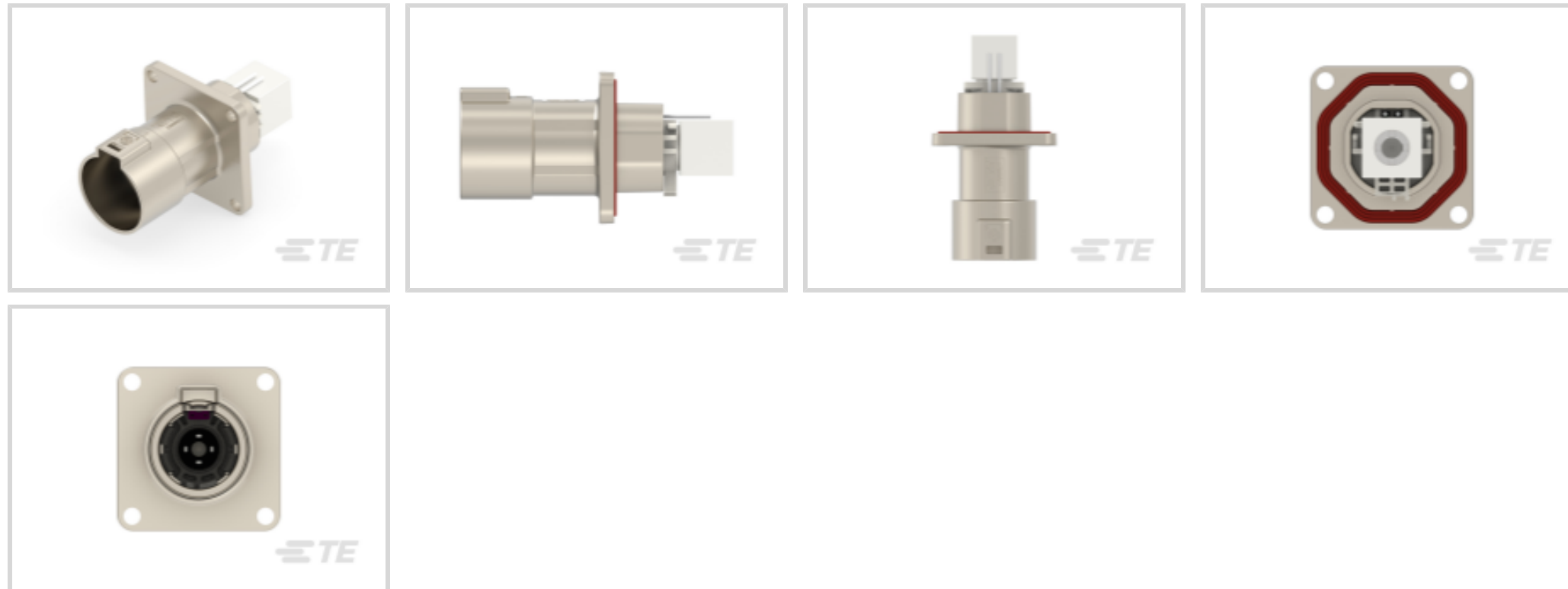
PowerTube | PowerTube HVP-HD 1400

TE Internal #: 8-2399606-2

Bus Bar-to-Wire, 1 Position, Header & Push-Push Assembly, Silver (Ag), Through Hole - Screw, Sealable, Power, Natural, Tray, PowerTube HVP-HD 1400

[View on TE.com >](#)

Connectors > PCB Connectors > PCB Headers & Receptacles > PowerTube HVP-HD 1400 180° Headers



Connector System: **Bus Bar-to-Wire**

Number of Positions: **1**

Number of Rows: **1**

Header Type: **Header & Push-Push Assembly**

Contact Mating Area Plating Material: **Silver (Ag)**

[All PowerTube HVP-HD 1400 180° Headers \(90\)](#)

Features

Product Type Features

Connector System	Bus Bar-to-Wire
Header Type	Header & Push-Push Assembly
Sealable	Yes
Connector & Contact Terminates To	Bus Bar
Connector Product Type	Connector Assembly

Configuration Features

Number of Positions	1
Number of Rows	1

Electrical Characteristics

Operating Voltage	1000 VDC
Nominal Voltage Architecture	1000 V

Body Features



Connector & Keying Code	B
-------------------------	---

Primary Product Color	Natural
-----------------------	---------

Contact Features

Mating Pin Diameter	14 mm[.55 in]
---------------------	---------------

Contact Mating Area Plating Material	Silver (Ag)
--------------------------------------	-------------

Contact Type	Pin
--------------	-----

Termination Features

Termination Method to PCB	Through Hole - Screw
---------------------------	----------------------

Mechanical Attachment

Mating Alignment Type	Polarization
-----------------------	--------------

PCB Mount Retention	Without
---------------------	---------

PCB Mount Alignment	Without
---------------------	---------

Connector Mounting Type	Panel Mount
-------------------------	-------------

Mating Alignment	With
------------------	------

Usage Conditions

Operating Temperature (Max)	140 °C[284 °F]
-----------------------------	----------------

Operating Temperature Range	-40 – 140 °C[-40 – 284 °F]
-----------------------------	----------------------------

Operation/Application

Circuit Application	Power
---------------------	-------

Industry Standards

IP Rating	IP6K9K
-----------	--------

UL Flammability Rating	UL 94V-0
------------------------	----------

Packaging Features

Packaging Method	Tray
------------------	------

Product Compliance

[For compliance documentation, visit the product page on TE.com>](#)

EU RoHS Directive 2011/65/EU	Compliant
------------------------------	-----------

EU ELV Directive 2000/53/EC	Compliant
-----------------------------	-----------

China RoHS 2 Directive MIIT Order No 32, 2016	No Restricted Materials Above Threshold
---	---

EU REACH Regulation (EC) No. 1907/2006	Current ECHA Candidate List: JAN 2025 (247)
--	---



Candidate List Declared Against: JAN 2025
 (247)

SVHC > Threshold:

Dodecamethylcyclhexasiloxane (D6) (.71%
 in 26510969834)

Decamethylcyclopentasiloxane (D5) (2.41%
 in 30408935353)

Octamethylcyclotetrasiloxane (D4) (.47% in
 30408935353)

Article Safe Usage Statements:

Wash thoroughly after handling. Recycle if possible and dispose of the article by following all applicable governmental regulations relevant to your geographic location.

Halogen Content

Not Yet Reviewed for halogen content

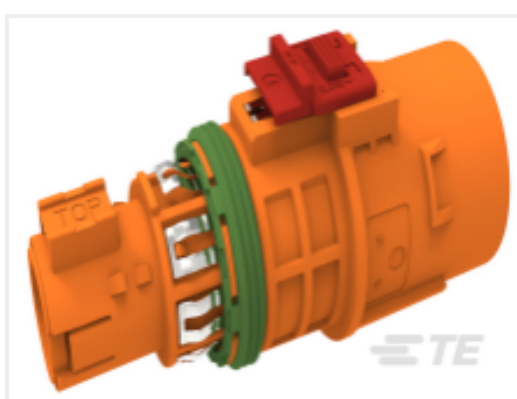
Solder Process Capability

Not reviewed for solder process capability

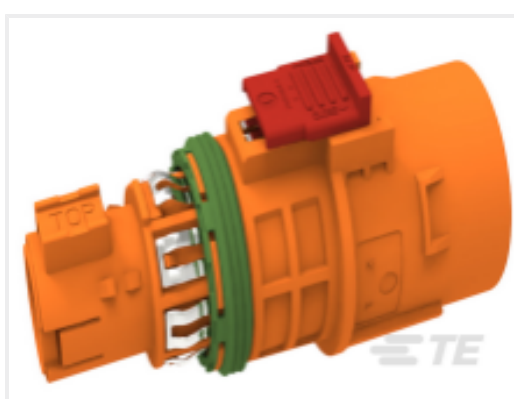
Product Compliance Disclaimer

This information is provided based on reasonable inquiry of our suppliers and represents our current actual knowledge based on the information they provided. This information is subject to change. The part numbers that TE has identified as EU RoHS compliant have a maximum concentration of 0.1% by weight in homogenous materials for lead, hexavalent chromium, mercury, PBB, PBDE, DBP, BBP, DEHP, DIBP, and 0.01% for cadmium, or qualify for an exemption to these limits as defined in the Annexes of Directive 2011/65/EU (RoHS2). Finished electrical and electronic equipment products will be CE marked as required by Directive 2011/65/EU. Components may not be CE marked. Additionally, the part numbers that TE has identified as EU ELV compliant have a maximum concentration of 0.1% by weight in homogenous materials for lead, hexavalent chromium, and mercury, and 0.01% for cadmium, or qualify for an exemption to these limits as defined in the Annexes of Directive 2000/53/EC (ELV). Regarding the REACH Regulation, the information TE provides on SVHC in articles for this part number is based on the latest European Chemicals Agency (ECHA) 'Guidance on requirements for substances in articles' posted at this URL: <https://echa.europa.eu/guidance-documents/guidance-on-reach>

Compatible Parts



TE Part # 2446256-1
 HD1400 PRE-ASSY,NO TPA,FINGER



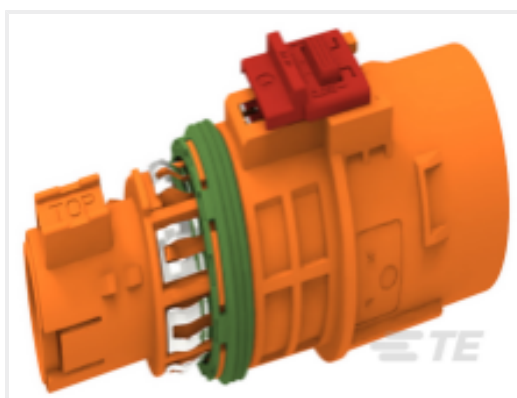
TE Part # 2446256-4
 HD1400 PRE-ASSY SU-BEAM,NO TPA, TOOL



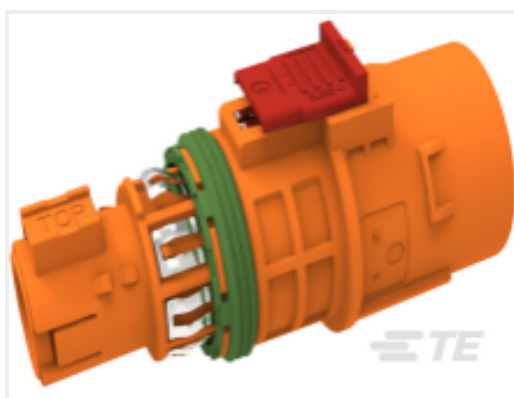
TE Part # 2407804-1
 COVER,SHIPPING CAP FOR HD1400 HEADR



TE Part # CAT-AQ4-HFFTH1400
 PowerTube HVP-HD 1400 Plug Pre-Assemblies

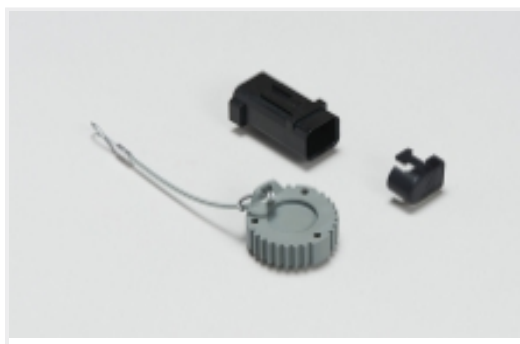


TE Part # 2446256-3
 HD1400 PRE-ASSY SU-BEAM,NO TPA, FINGER

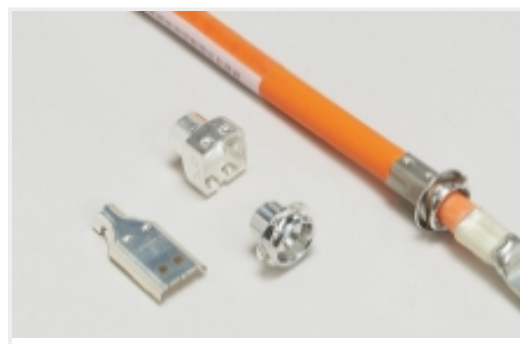


TE Part # 2446256-2
 HD1400 PRE-ASSY,NO TPA,TOOL

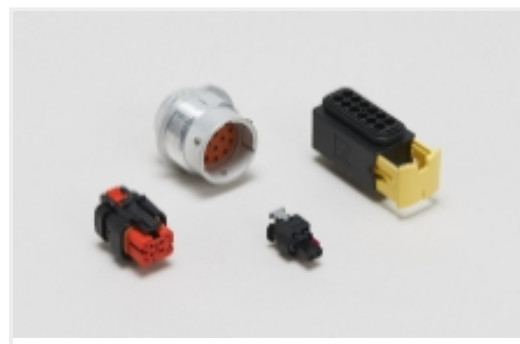
Also in the Series | PowerTube HVP-HD 1400



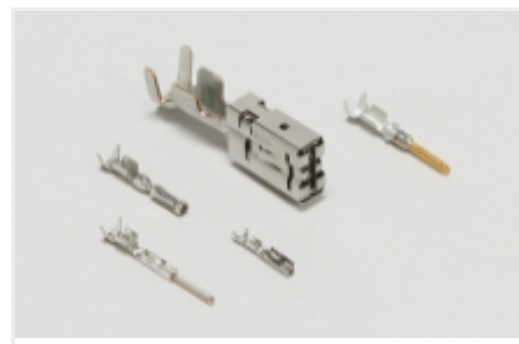
Automotive Connector Caps & Covers (1)



Automotive Connector EMC Shielding (5)



Automotive Housings(28)



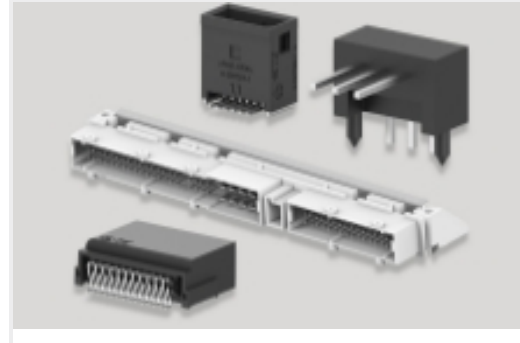
Automotive Terminals(4)



Connector Caps & Covers(1)



Other Automotive Connector Accessories(29)



PCB Headers & Receptacles(189)



Rectangular Power Connectors(189)

Customers Also Bought



TE Part #1-967622-3
JUN-POW-TIM GEH 12P



TE Part #1-2176186-7
CRGH1206 1% 2K7 0.5W



TE Part #CAT-AQ4-HHD1000180
PowerTube HVP-HD 1000 180° Headers



TE Part #9-1625971-1
HSA25 2R0 5%



TE Part #CAT-H3399-CH8172
Heavy Duty Sealed Connector Series Housings



TE Part #8-1393243-5
RT425024



TE Part #8-2399606-1
1POS,HVP1400,ASSY,180DEG,COD A



TE Part #1-1625999-5
HSC100 1R5 5%

Documents

Product Drawings

[1POS,HVP1400,ASSY,180DEG,COD B](#)

English

CAD Files

Customer View Model

[ENG_CVM_CVM_8-2399606-2_E.3d_igs.zip](#)

English

Customer View Model



[ENG_CVM_CVM_8-2399606-2_E.3d_stp.zip](#)

English

[3D PDF](#)

3D

Customer View Model

[ENG_CVM_CVM_8-2399606-2_E.2d_dxf.zip](#)

English

By downloading the CAD file I accept and agree to the [Terms and Conditions](#) of use.

Datasheets & Catalog Pages

[HIVONEX CONNECTORS & CHARGING SOLUTIONS](#)

English

Product Specifications

[Application Specification](#)

English