

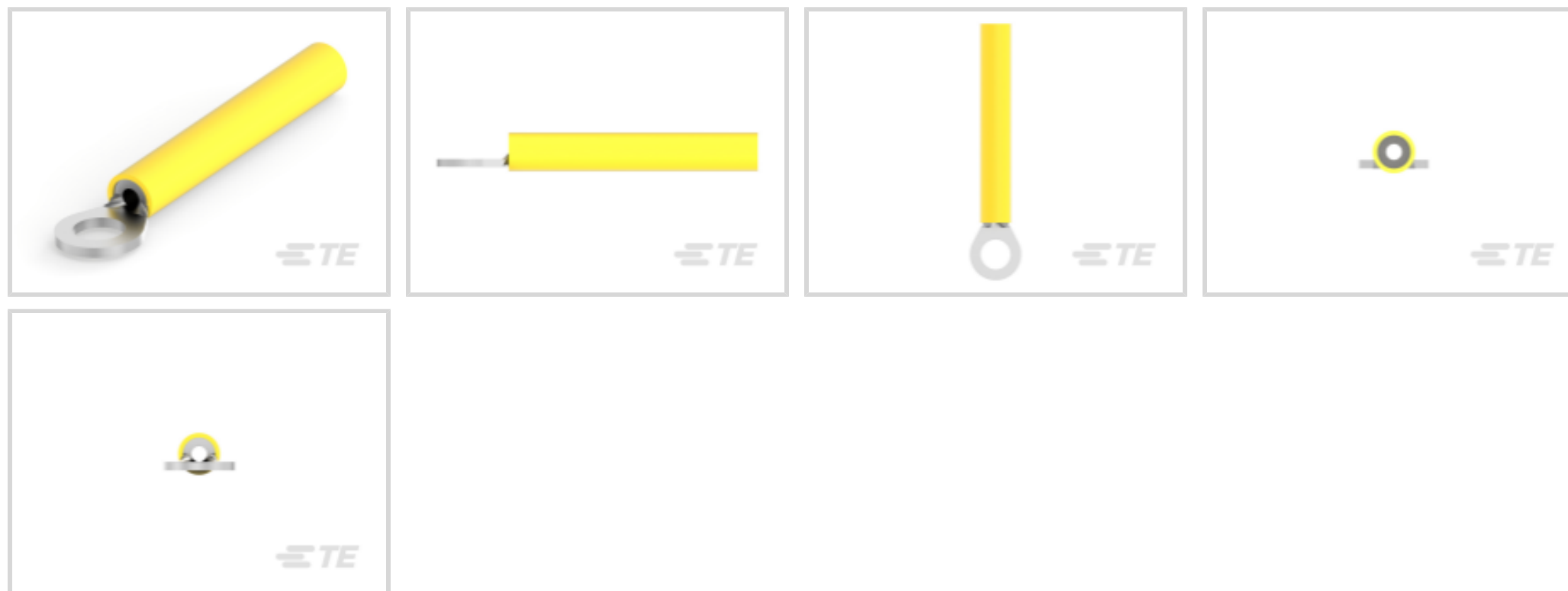


TE Internal #: 8-55846-2

Closed Ring Tongue Terminal, 22 – 18 AWG, #6 / M3.5 Stud, 3.51 mm [.138 in] Stud Diameter, Closed Barrel, Straight, Tin Plating, Partially Insulated

[View on TE.com >](#)

Terminals & Splices > Ring Terminals



Ring Terminal Product Type: **Closed Ring Tongue Terminal**

Wire Size: **509 – 1900 CMA**

Stud Size: **#6, M3.5**

Features

Product Type Features

Ring Terminal Product Type	Closed Ring Tongue Terminal
Stud Size	#6, M3.5
Sealable	Yes
Wire Insulation Support Retention Type	Insulation Support

Configuration Features

Number of Holes	1
-----------------	---

Electrical Characteristics

Voltage Rating	600 V
----------------	-------

Contact Features

Barrel Type	Closed
Terminal Orientation	Straight
Terminal Plating Material	Tin

Mechanical Attachment

Wire Insulation Support	With
-------------------------	------

Dimensions

--	--



Wire Size	509 – 1900 CMA
Stud Diameter	3.51 mm [.138 in]
Tongue Thickness	.81 mm [.032 in]
Product Length	31.7 mm [1.246 in]
Compatible Insulation Diameter (Max)	4.32 mm [.17 in]
Compatible Insulation Diameter Range	4.32 mm [.17 in]

Usage Conditions

Insulation Option	Partially Insulated
-------------------	---------------------

Operation/Application

Compatible With Wire Base Material	Copper
Compatible With Wire Plating Material	Tin

Industry Standards

Government Qualified Terminal	No
-------------------------------	----

Packaging Features

Packaging Quantity	50
Packaging Method	Loose Piece

Product Compliance

[For compliance documentation, visit the product page on TE.com>](#)

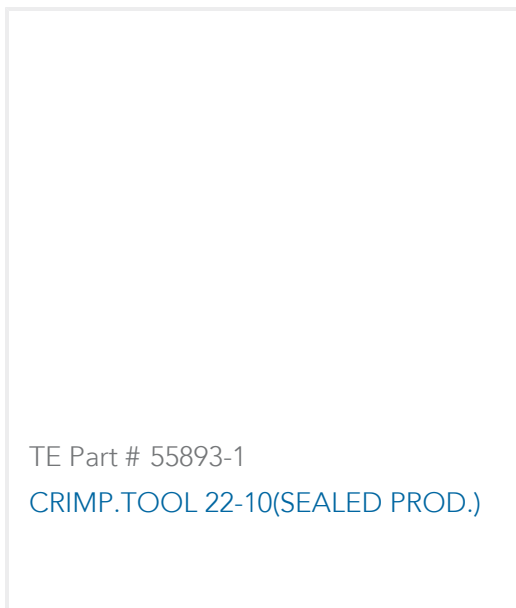
EU RoHS Directive 2011/65/EU	Compliant
EU ELV Directive 2000/53/EC	Compliant
China RoHS 2 Directive MIIT Order No 32, 2016	No Restricted Materials Above Threshold
EU REACH Regulation (EC) No. 1907/2006	Current ECHA Candidate List: JAN 2025 (247) Candidate List Declared Against: JUNE 2022 (224) Does not contain REACH SVHC
Halogen Content	Low Halogen - Br, Cl, F, I < 900 ppm per homogenous material. Also BFR/CFR/PVC Free
Solder Process Capability	Not applicable for solder process capability

Product Compliance Disclaimer

This information is provided based on reasonable inquiry of our suppliers and represents our current actual knowledge based on the information they provided. This information is subject to change. The part numbers that TE has identified as EU RoHS compliant have a maximum concentration of 0.1% by weight in homogenous materials for lead, hexavalent chromium, mercury, PBB, PBDE, DBP, BBP, DEHP, DIBP, and 0.01% for cadmium, or qualify for an exemption to these

limits as defined in the Annexes of Directive 2011/65/EU (RoHS2). Finished electrical and electronic equipment products will be CE marked as required by Directive 2011/65/EU. Components may not be CE marked. Additionally, the part numbers that TE has identified as EU ELV compliant have a maximum concentration of 0.1% by weight in homogenous materials for lead, hexavalent chromium, and mercury, and 0.01% for cadmium, or qualify for an exemption to these limits as defined in the Annexes of Directive 2000/53/EC (ELV). Regarding the REACH Regulation, the information TE provides on SVHC in articles for this part number is based on the latest European Chemicals Agency (ECHA) 'Guidance on requirements for substances in articles' posted at this URL: <https://echa.europa.eu/guidance-documents/guidance-on-reach>

Compatible Parts




TE Part # 55893-1
CRIMP.TOOL 22-10(SEALED PROD.)

Customers Also Bought



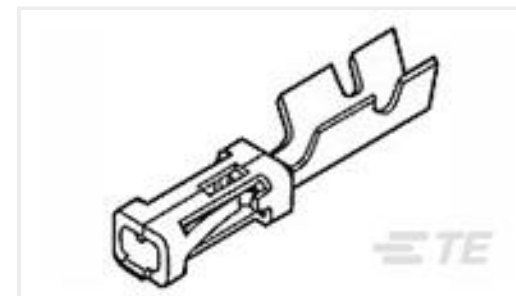
TE Part #2-320553-2
PIDG R 22-16 COMM 22-18 MIL 4



TE Part #52936-1
TERMINAL,PIDG SPR SPD 16-14 8



TE Part #T2030001005-000
CEM-0.5



TE Part #5-103171-4
MOD IV RECP PLTD 30 DPLX LF



TE Part #8-34541-1
PIDG SPD 22-16COMM 22-18MIL 6



TE Part #1-1318117-3
DYNAMIC D-2100 TAB HSG 3P F/H




TE Part #T2030002005-000
CEF-0.5



TE Part #208471-1
CMC RECPT ASSEMBLY SIZE 28



TE Part #208470-1
CMC PLUG ASSEMBLY,SZ 28



TE Part #66594-4
TYPE VI SKT,MULTI-MATE,L.P.

Documents



Product Drawings

22-18 PRE-INSUL SEALED TERM R

English

CAD Files

Customer View Model

[ENG_CVM_CVM_8-55846-2_E.2d_dxf.zip](#)

English

3D PDF

3D

Customer View Model

[ENG_CVM_CVM_8-55846-2_E.3d_igs.zip](#)

English

Customer View Model

[ENG_CVM_CVM_8-55846-2_E.3d_stp.zip](#)

English

By downloading the CAD file I accept and agree to the [Terms and Conditions](#) of use.

Instruction Sheets

[Instruction Sheet \(U.S.\)](#)

English