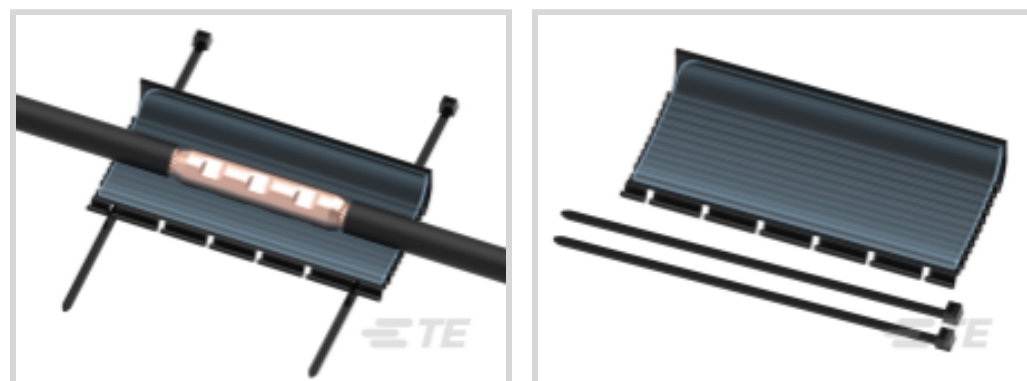




Energy & Power > Power Cable Accessories > Joints & Splices



Installation Technology: **Power Gel**

Product Availability: **Europe, Middle East & Africa**

Joints & Splice Product Type: **Splice Closure**

Voltage Class: **≤ 1 kV**

Compatible Conductor Cross-Section Range: **4 – 95 mm²**

Features

Product Type Features

Case Seal	Gel
Cable Sealing Method	Gel
Adhesive Coating	With
Filler	PowerGel
Installation Technology	Power Gel
Joints & Splice Product Type	Splice Closure
Closing Method	Snap

Configuration Features

Number of Main Wires (Max)	1
----------------------------	---

Electrical Characteristics

Voltage Class	≤ 1 kV
---------------	--------

Body Features

Primary Product Color	Black
Flexibility	Semi-Flexible

Mechanical Attachment

Mechanical Reinforcement	Cable Ties
Strain Relief	Without



Dimensions

Compatible Cable Diameter - Main (Min)	4 mm
Compatible Conductor Cross-Section Range	4 – 95 mm ²
Compatible Insulation Diameter Range	4 – 18 mm [.7 – .15 in]
Compatible Cable Cross-Section - Main (Max)	95 mm ²
Compatible Cable Cross-Section - Main (Min)	4 mm ²
Compatible Cable Diameter - Main (Max)	18 mm
Compatible Conductor Diameter Range	.15 – .7 mm [4 – 18 in]

Usage Conditions

Operating Temperature Range	-40 – 95 °C
Fluid Resistance Type	Humic Acids, Hydrochloric Acid, Motor Oil, Sodium Chloride, Sodium Hydroxide, Water
Environmental Resistance	Moisture, Protection Against Humidity, Rain, Self Sealing, Water Repelant, Weathering

Operation/Application

Mechanical Resistance	Against Mechanical Impact
UV-Stabilized	Yes
Marine-Offshore-Shipbuilding Certified	No

Industry Standards

Compatible With Approved Standards Products	ANSI C119.1, EN 50393
---	-----------------------

Product Availability

Product Availability	Europe, Middle East & Africa
----------------------	------------------------------

Packaging Features

Packaging Method	Bag
Packaging Quantity	1

Other

Product Use	Outdoor, Overhead & Direct Buried
-------------	-----------------------------------

Product Compliance

For compliance documentation, visit the product page on [TE.com](https://www.te.com)>

EU RoHS Directive 2011/65/EU	Compliant
EU ELV Directive 2000/53/EC	Compliant



China RoHS 2 Directive MIIT Order No 32, 2016	No Restricted Materials Above Threshold
EU REACH Regulation (EC) No. 1907/2006	Current ECHA Candidate List: JAN 2025 (247) Candidate List Declared Against: JAN 2024 (240) Does not contain REACH SVHC
Halogen Content	Low Halogen - Br, Cl, F, I < 900 ppm per homogenous material. Also BFR/CFR/PVC Free
Solder Process Capability	Not applicable for solder process capability

Product Compliance Disclaimer

This information is provided based on reasonable inquiry of our suppliers and represents our current actual knowledge based on the information they provided. This information is subject to change. The part numbers that TE has identified as EU RoHS compliant have a maximum concentration of 0.1% by weight in homogenous materials for lead, hexavalent chromium, mercury, PBB, PBDE, DBP, BBP, DEHP, DIBP, and 0.01% for cadmium, or qualify for an exemption to these limits as defined in the Annexes of Directive 2011/65/EU (RoHS2). Finished electrical and electronic equipment products will be CE marked as required by Directive 2011/65/EU. Components may not be CE marked. Additionally, the part numbers that TE has identified as EU ELV compliant have a maximum concentration of 0.1% by weight in homogenous materials for lead, hexavalent chromium, and mercury, and 0.01% for cadmium, or qualify for an exemption to these limits as defined in the Annexes of Directive 2000/53/EC (ELV). Regarding the REACH Regulations, TE's information on SVHC in articles for this part number is still based on the European Chemical Agency (ECHA) 'Guidance on requirements for substances in articles' (Version: 2, April 2011), applying the 0.1% weight on weight concentration threshold at the finished product level. TE is aware of the European Court of Justice ruling of September 10th, 2015 also known as O5A (Once An Article Always An Article) stating that, in case of 'complex object', the threshold for a SVHC must be applied to both the product as a whole and simultaneously to each of the articles forming part of its composition. TE has evaluated this ruling based on the new ECHA "Guidance on requirements for substances in articles" (June 2017, version 4.0) and will be updating its statements accordingly.

Compatible Parts



Also in the Series | **RAYCHEM GelWrap**



Joints & Splices(24)

Customers Also Bought



TE Part #733882-000
BAH-023000048



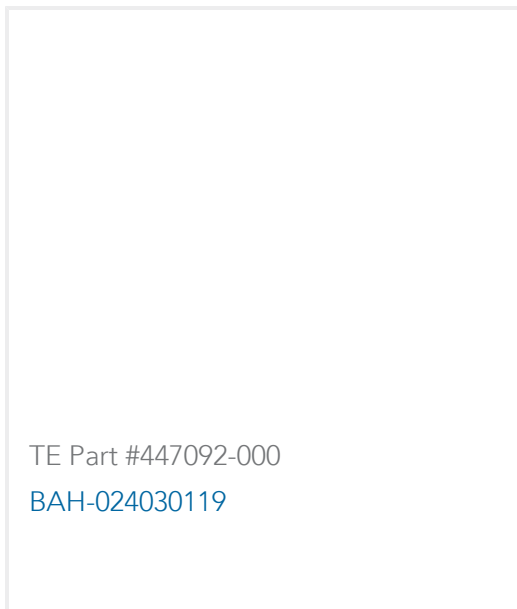
TE Part #BM7954-000
MVCC-G-10/.40(S30)



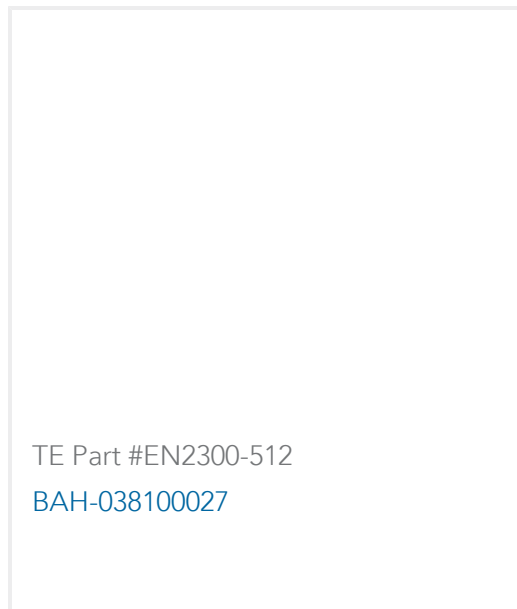
TE Part #547488-000
BAH-023040025



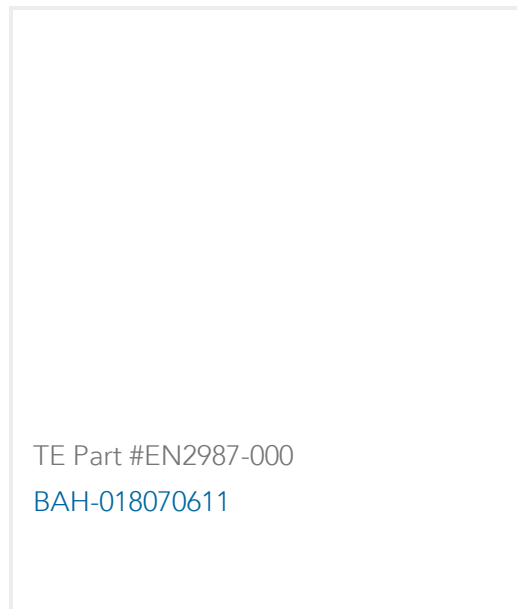
TE Part #CZ4070-000
CSTO-3131-GB01



TE Part #447092-000
BAH-024030119



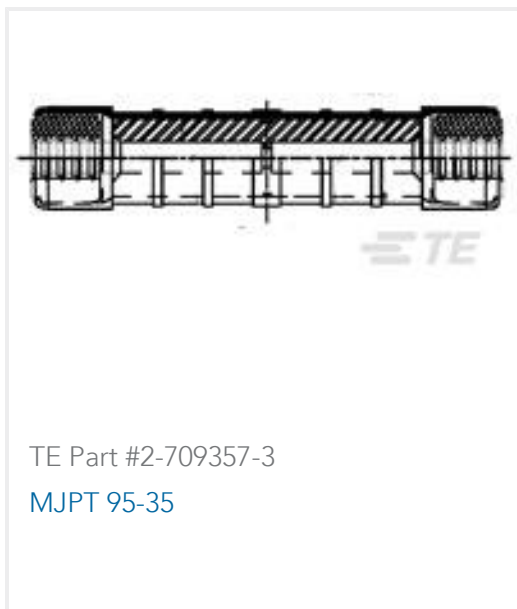
TE Part #EN2300-512
BAH-038100027



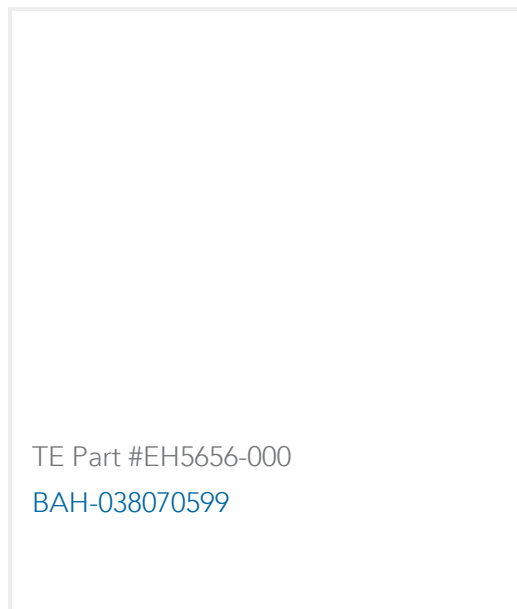
TE Part #EN2987-000
BAH-018070611



TE Part #426916-000
BAH-038070048



TE Part #2-709357-3
MJPT 95-35



TE Part #EH5656-000
BAH-038070599

Documents

Product Drawings

[GELWRAP-18/4-250\(B6\)](#)

English

Datasheets & Catalog Pages

[GELWRAP-WRAPAROUND-SLEEVE-CABLE-ACCESSORIES](#)

English

Agency Approvals



[UL Report](#)

English