



Sensors > Temperature Sensors > RTD Sensors > RTD Sensor Elements



RTD Element Type: **Platinum Glass Wire Wound Element**

Tolerance Class: **Class A / W0.15**

Element Type: **Glass**

Element Material: **Platinum**

Lead Wire Style: **Ni/Pt**

Features

Product Type Features

Wire/Cladding Type	Ni/Pt
RTD Element Type	Platinum Glass Wire Wound Element
Element Type	Glass
Element Material	Platinum
Lead Wire Style	Ni/Pt

Configuration Features

Electrical Connection	Open Ends
-----------------------	-----------

Mechanical Attachment

Wire Length	15 mm
-------------	-------

Dimensions

Body Length	15 mm[.6 in]
Body Diameter	4.5 mm[.177 in]
Wire Diameter	.25 mm[.009 in]

Usage Conditions

T1 and T2 for TCR	0 and +100 °C
Accuracy (at T_ref)	± .15 °C
TCR at (T1 and T2)	3850 ppm/°C
Operating Temperature (Max)	250 °C[482 °F]



Other

Wire Count	2
Tolerance Class	Class A / W0.15

Product Compliance

[For compliance documentation, visit the product page on TE.com>](#)

EU RoHS Directive 2011/65/EU	Compliant
EU ELV Directive 2000/53/EC	Out of Scope
China RoHS 2 Directive MIIT Order No 32, 2016	No Restricted Materials Above Threshold
EU REACH Regulation (EC) No. 1907/2006	Current ECHA Candidate List: JAN 2025 (247) Candidate List Declared Against: JAN 2021 (211) Does not contain REACH SVHC
Halogen Content	Not Yet Reviewed for halogen content
Solder Process Capability	Not reviewed for solder process capability

Product Compliance Disclaimer

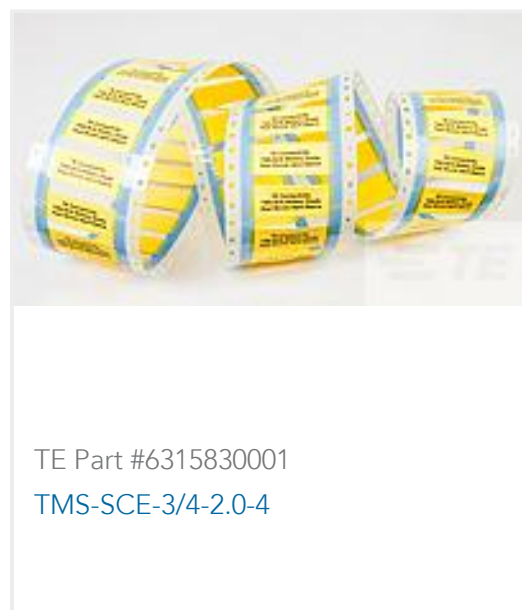
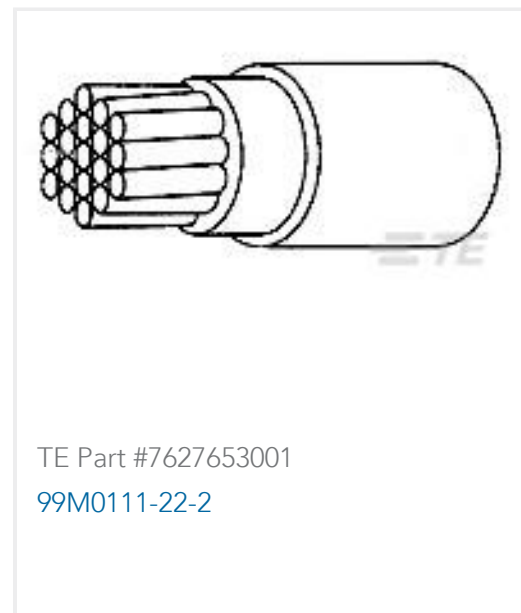
This information is provided based on reasonable inquiry of our suppliers and represents our current actual knowledge based on the information they provided. This information is subject to change. The part numbers that TE has identified as EU RoHS compliant have a maximum concentration of 0.1% by weight in homogenous materials for lead, hexavalent chromium, mercury, PBB, PBDE, DBP, BBP, DEHP, DIBP, and 0.01% for cadmium, or qualify for an exemption to these limits as defined in the Annexes of Directive 2011/65/EU (RoHS2). Finished electrical and electronic equipment products will be CE marked as required by Directive 2011/65/EU. Components may not be CE marked. Additionally, the part numbers that TE has identified as EU ELV compliant have a maximum concentration of 0.1% by weight in homogenous materials for lead, hexavalent chromium, and mercury, and 0.01% for cadmium, or qualify for an exemption to these limits as defined in the Annexes of Directive 2000/53/EC (ELV). Regarding the REACH Regulation, the information TE provides on SVHC in articles for this part number is based on the latest European Chemicals Agency (ECHA) 'Guidance on requirements for substances in articles' posted at this URL: <https://echa.europa.eu/guidance-documents/guidance-on-reach>

Also in the Series | **MEAS GO**



RTD Sensor Elements(10)

Customers Also Bought



Documents

CAD Files

3D PDF

3D

Customer View Model

[ENG_CVM_CVM_SB0863_4.2d_dxf.zip](#)

English

Customer View Model

[ENG_CVM_CVM_SB0863_4.3d_igs.zip](#)

English

Customer View Model

[ENG_CVM_CVM_SB0863_4.3d_stp.zip](#)

English

By downloading the CAD file I accept and agree to the [Terms and Conditions](#) of use.

Datasheets & Catalog Pages

[GWW Type GO](#)

English